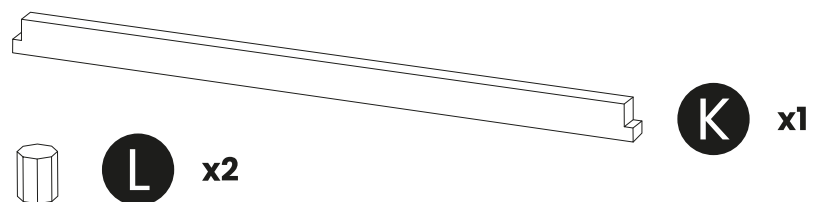
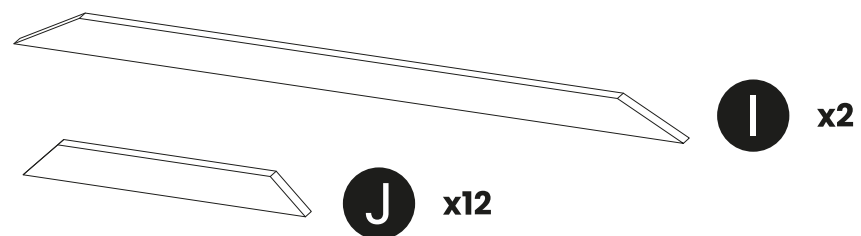
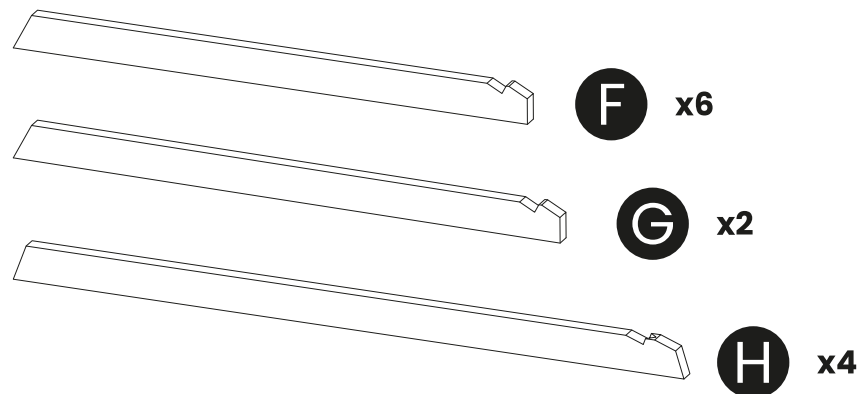
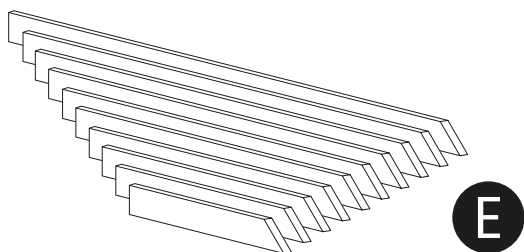
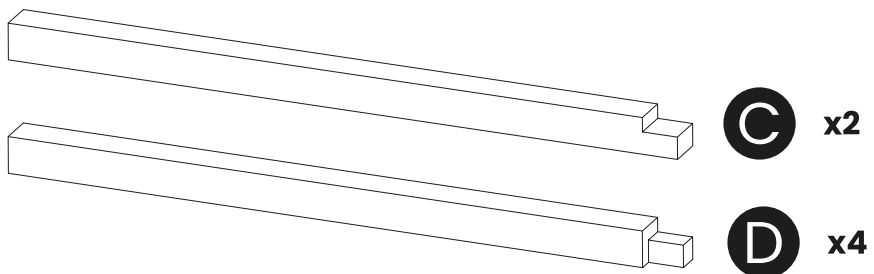
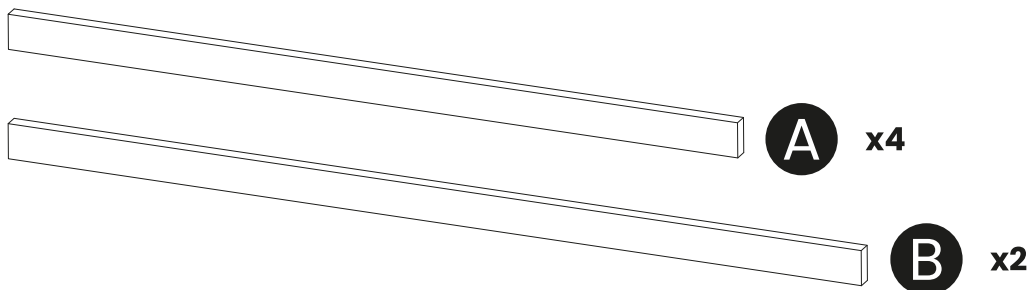


490x290cm



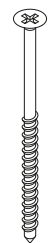
x24
W1 (6x160)



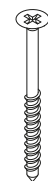
x22
W2 (6x140)



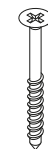
x4
W6 (6x120)



x24
W4 (6x100)



x8
W3 (6x80)



x1150
W5 (2x50)





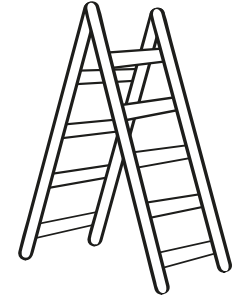
x2



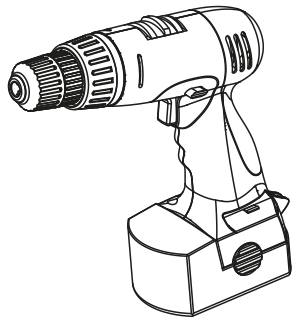
x1



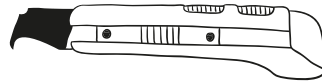
x1



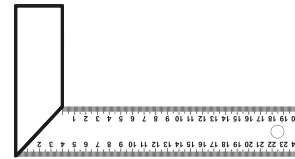
x2



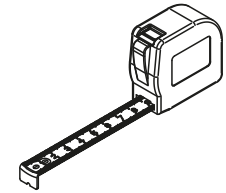
x1



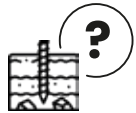
x2



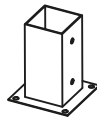
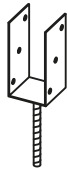
x1



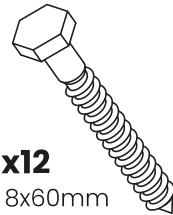
x1



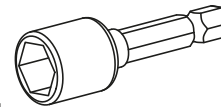
x6



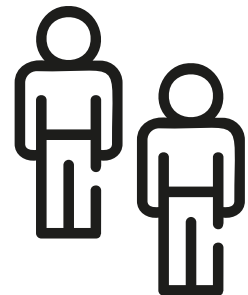
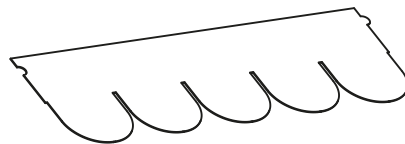
x12
8x60mm



x1
● 13

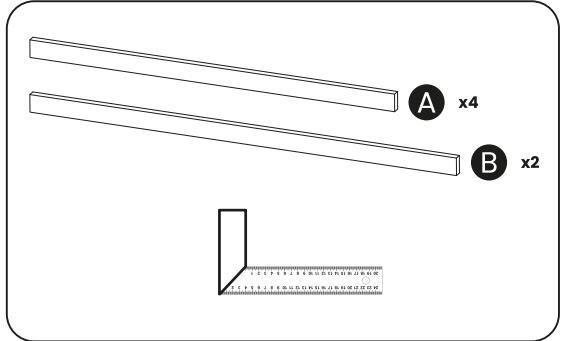
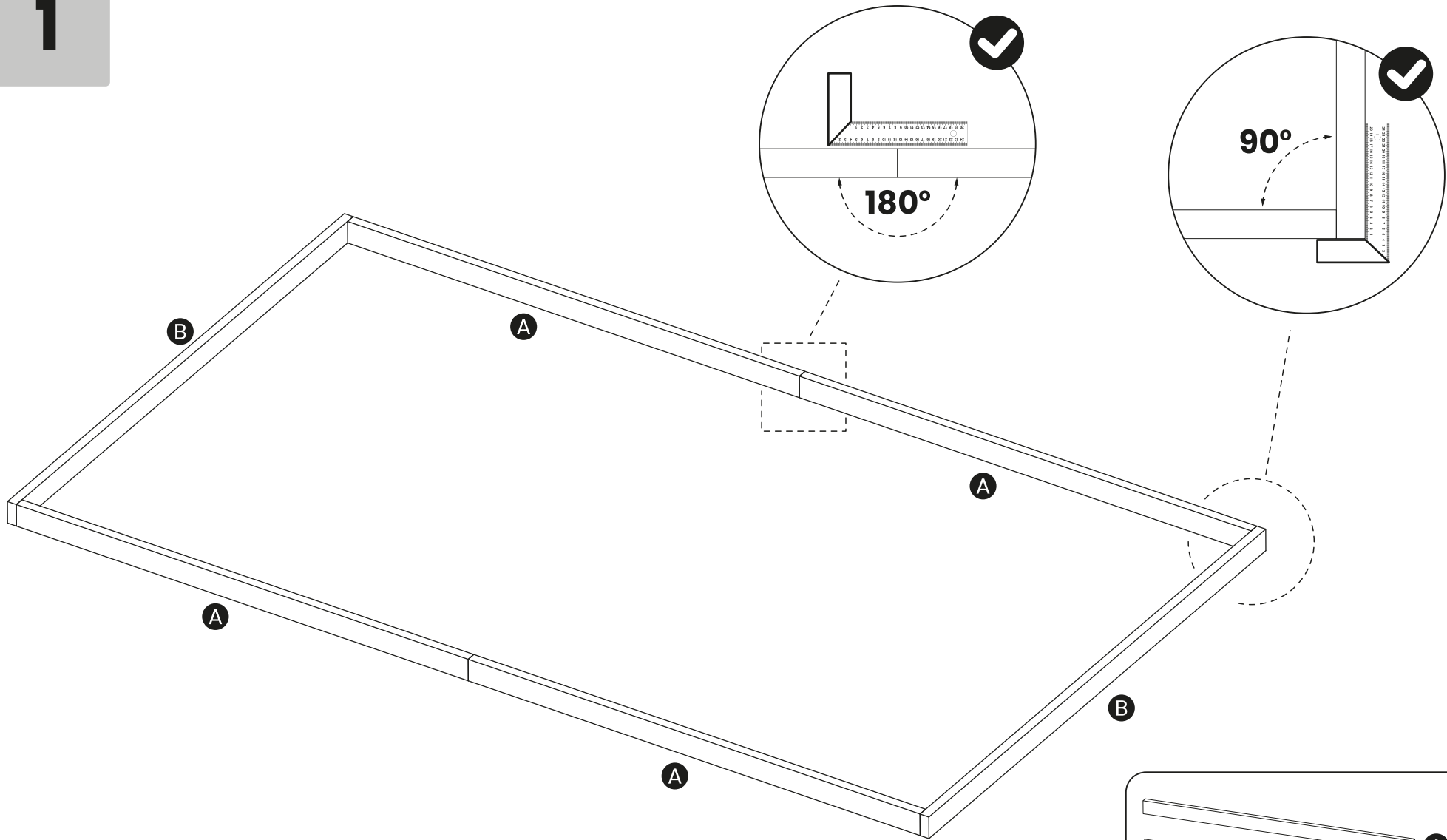


x1200
9x20mm

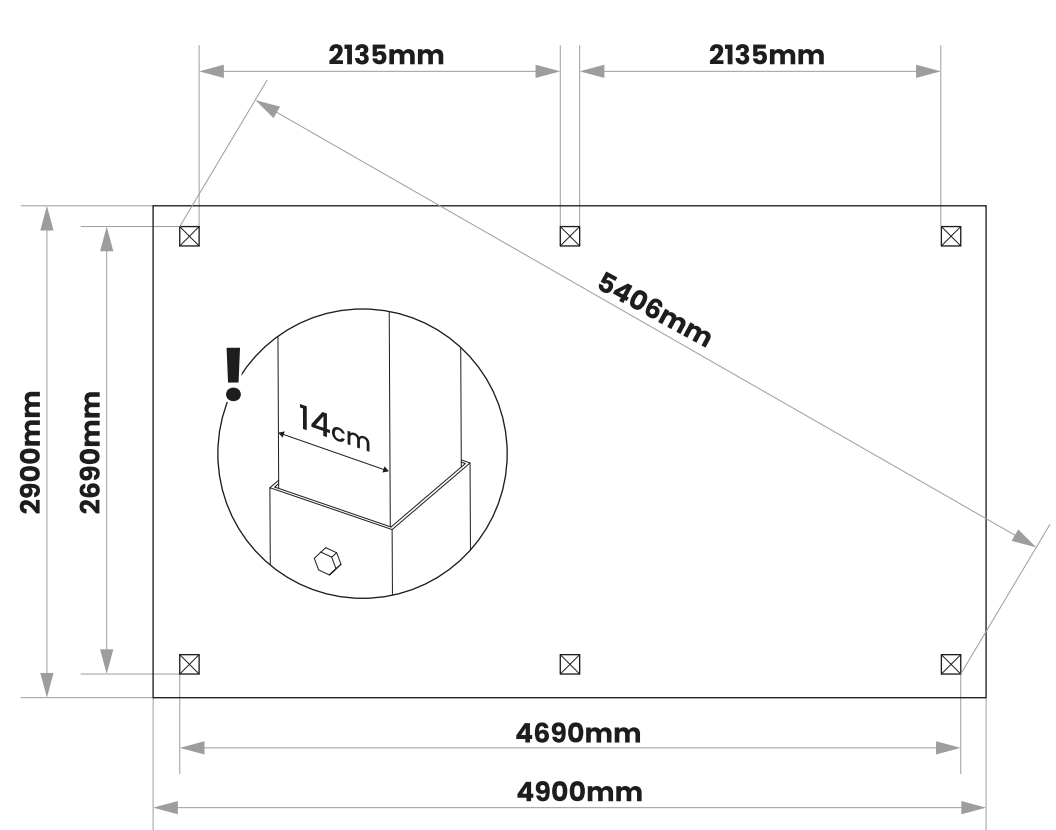
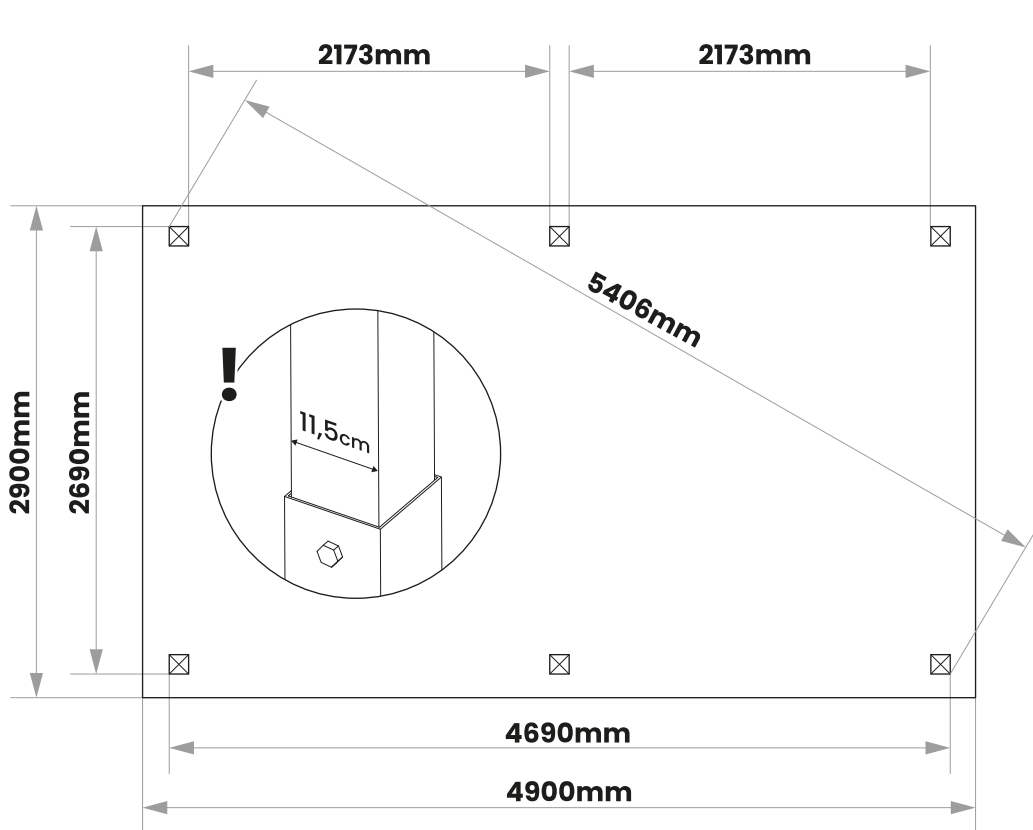
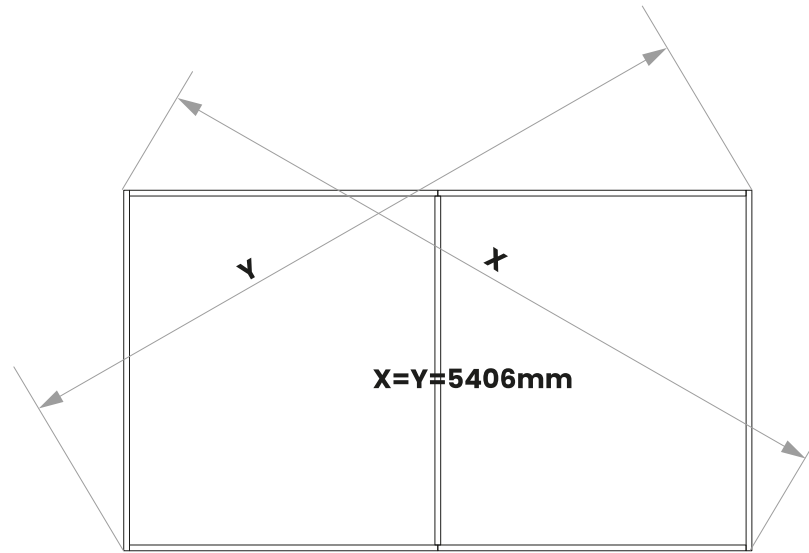
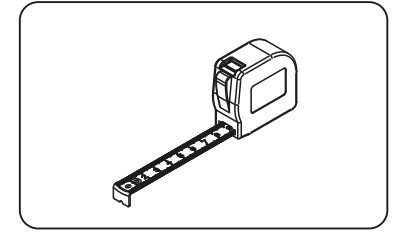


x2

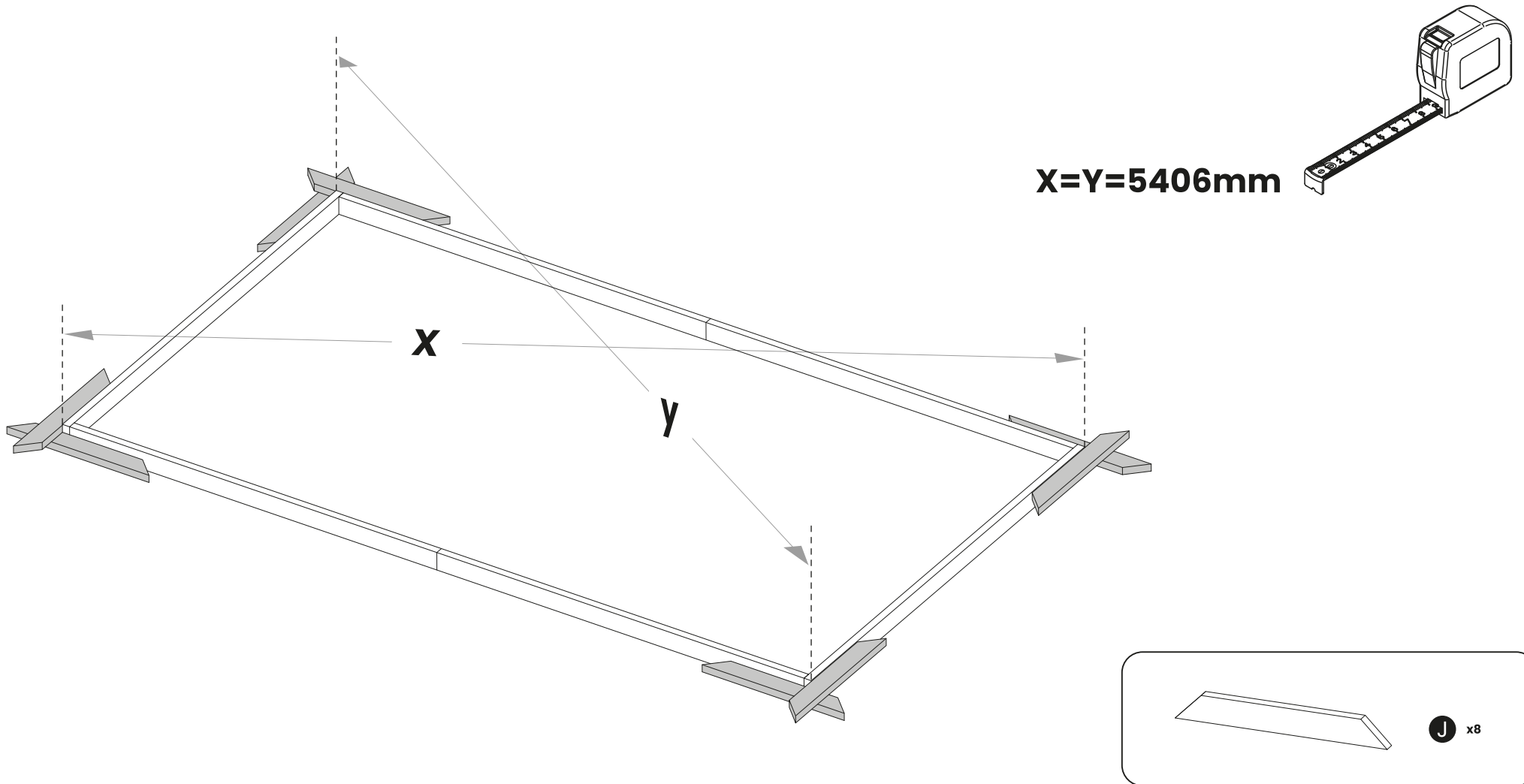
1



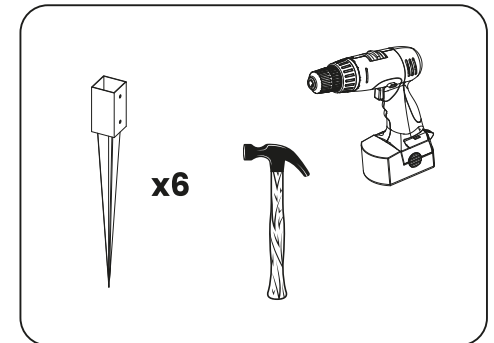
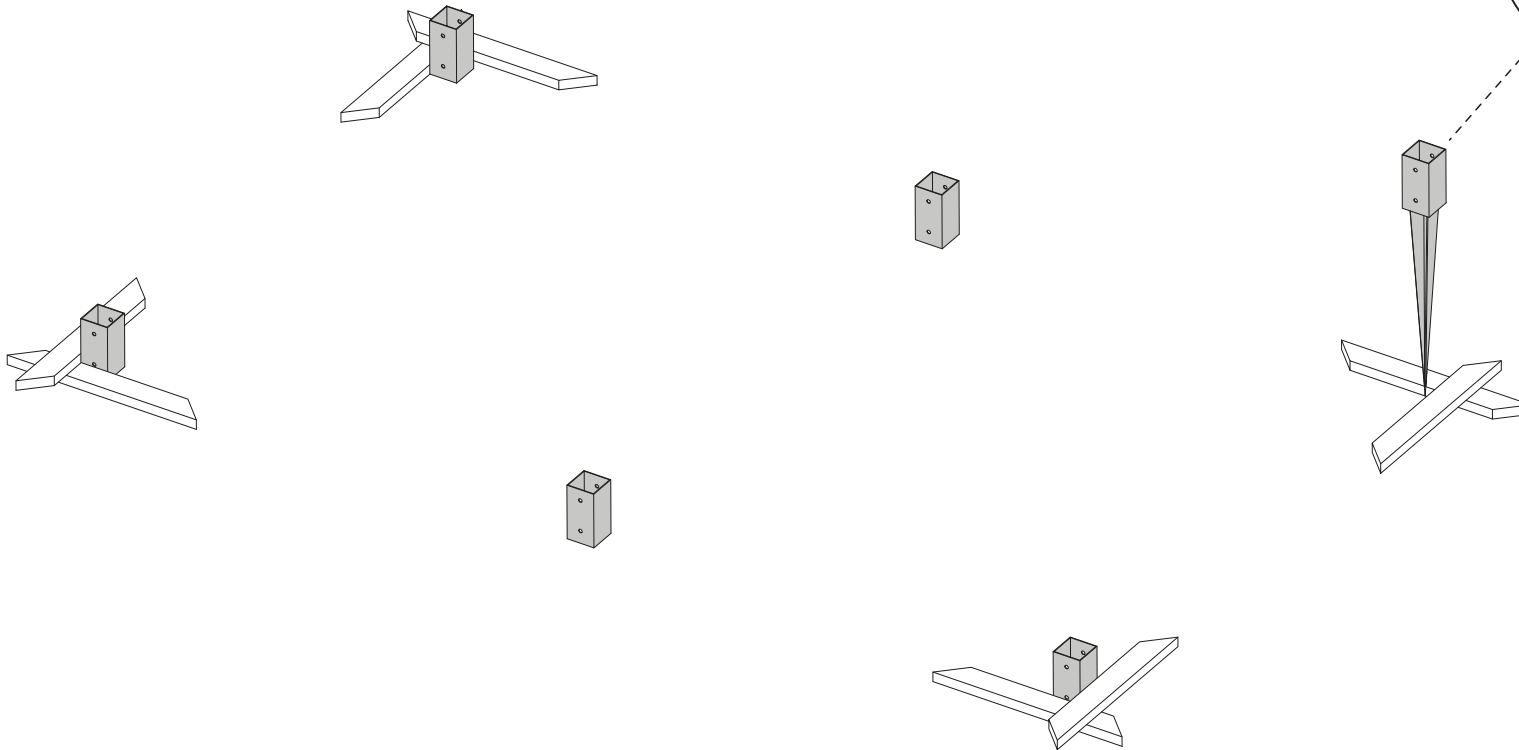
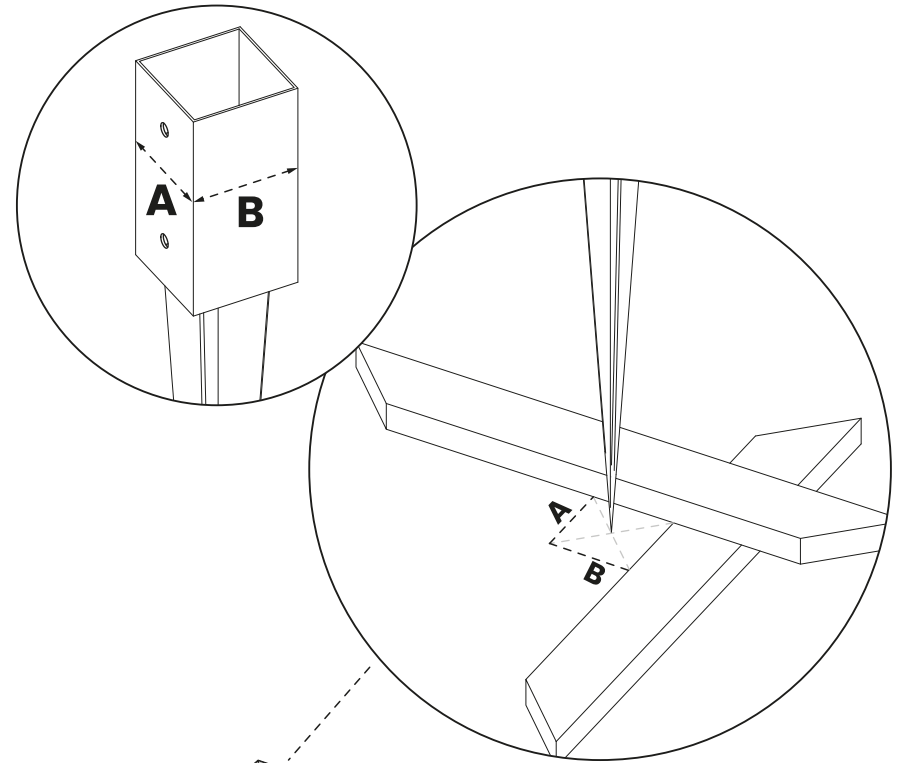
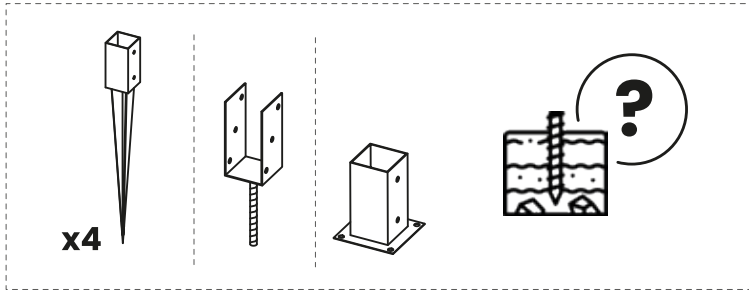
2



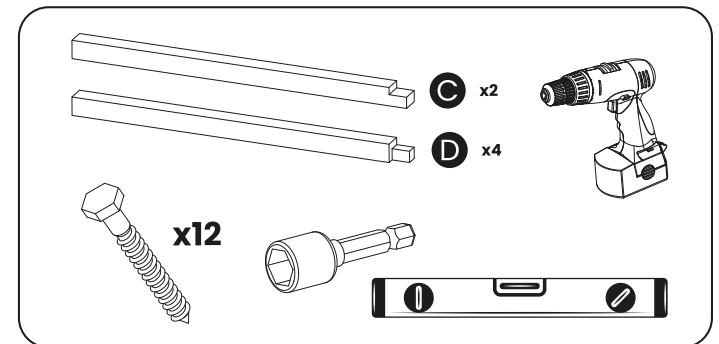
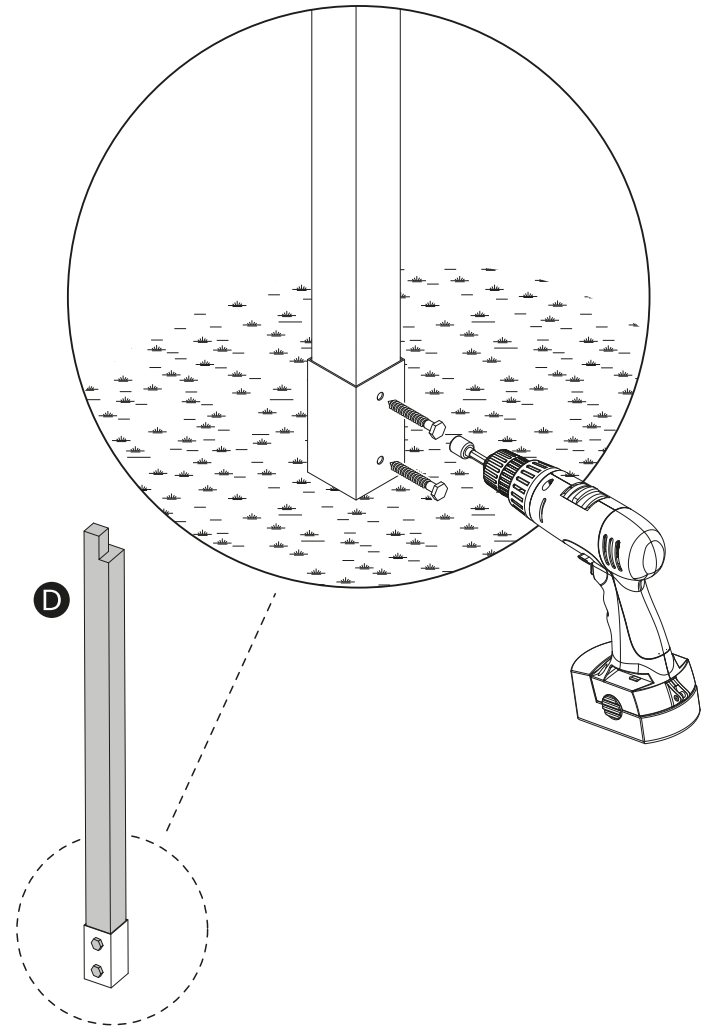
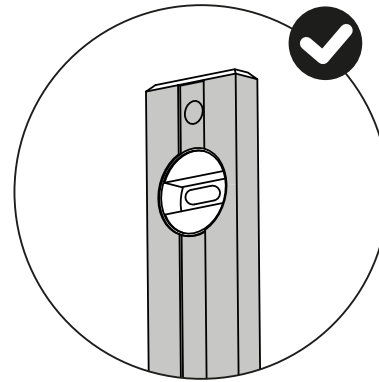
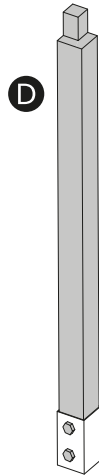
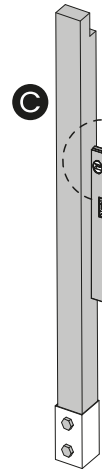
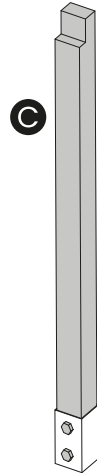
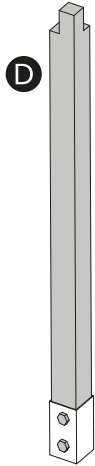
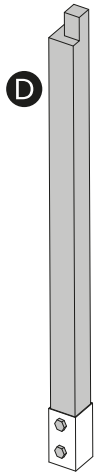
3

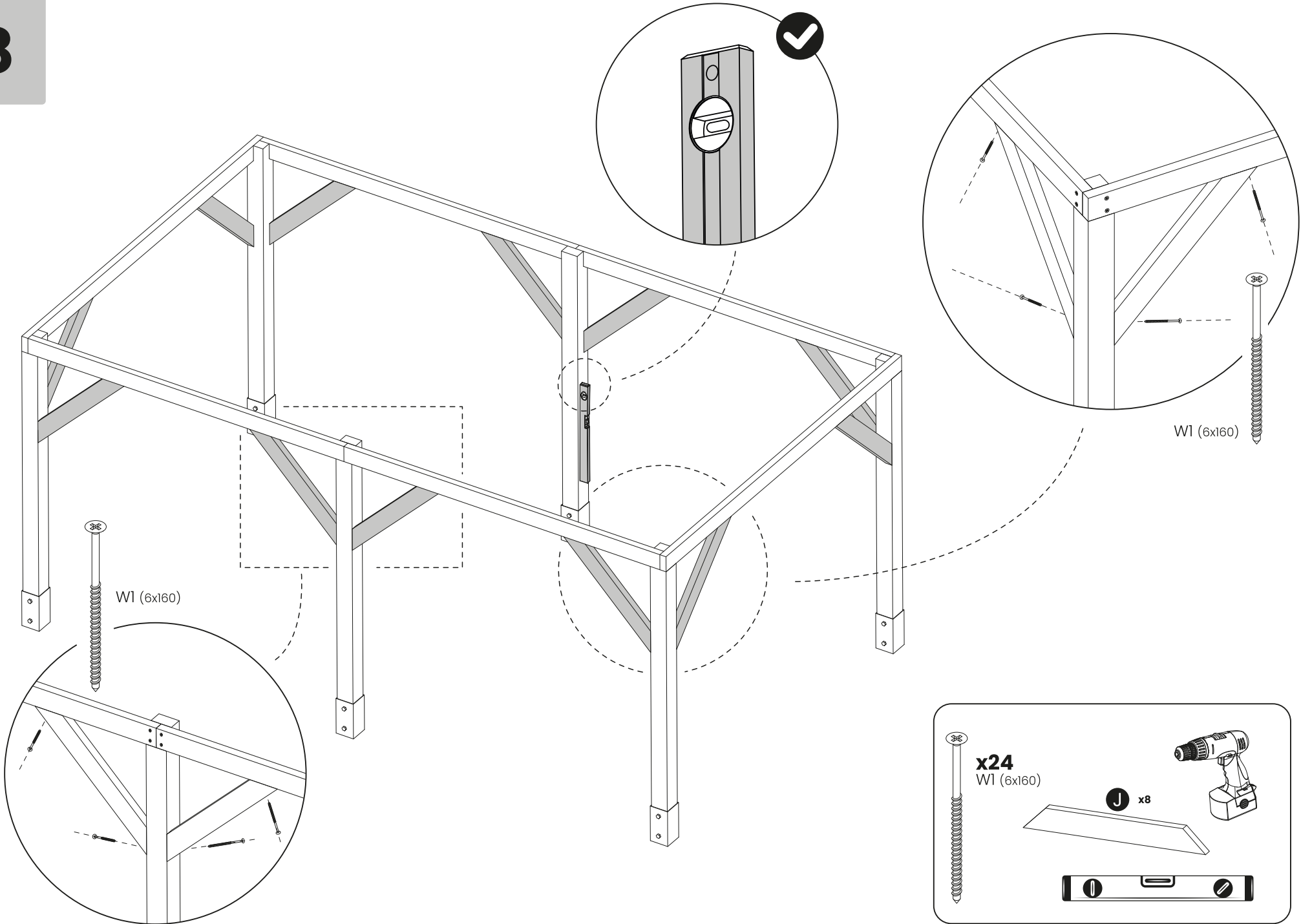


4



6





9

x2

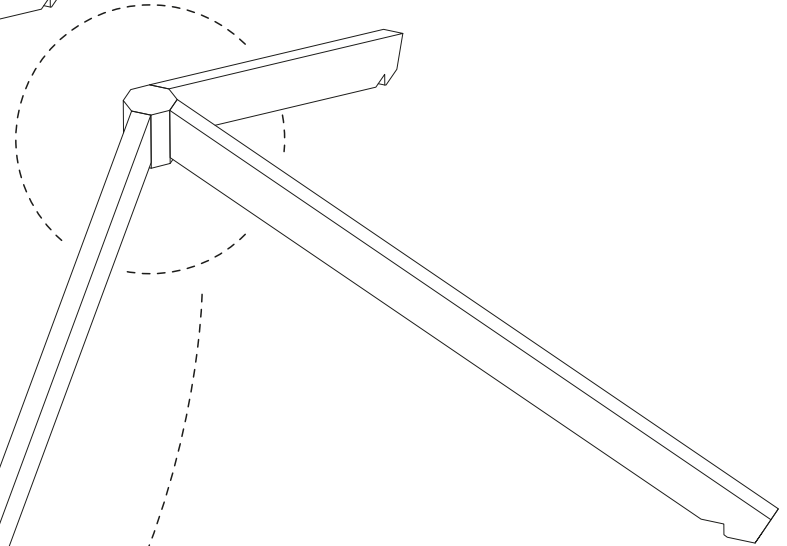
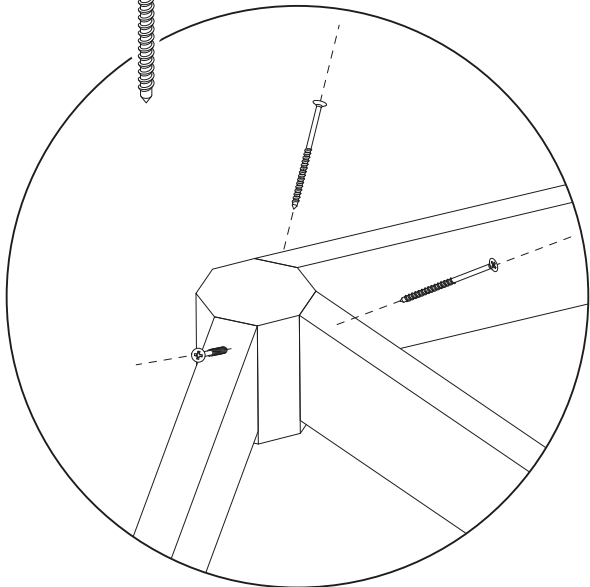
F

F

F



W2 (6x140)



!



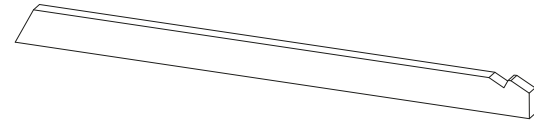
1585mm



x6
W2 (6x140)

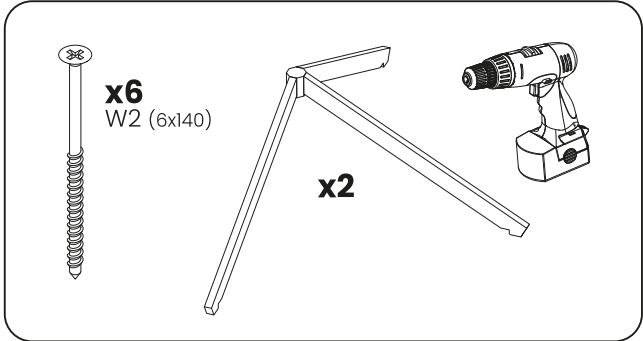
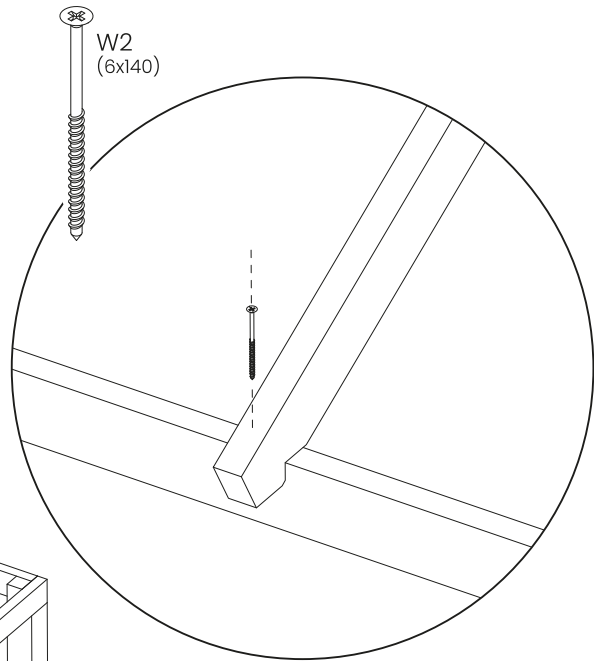
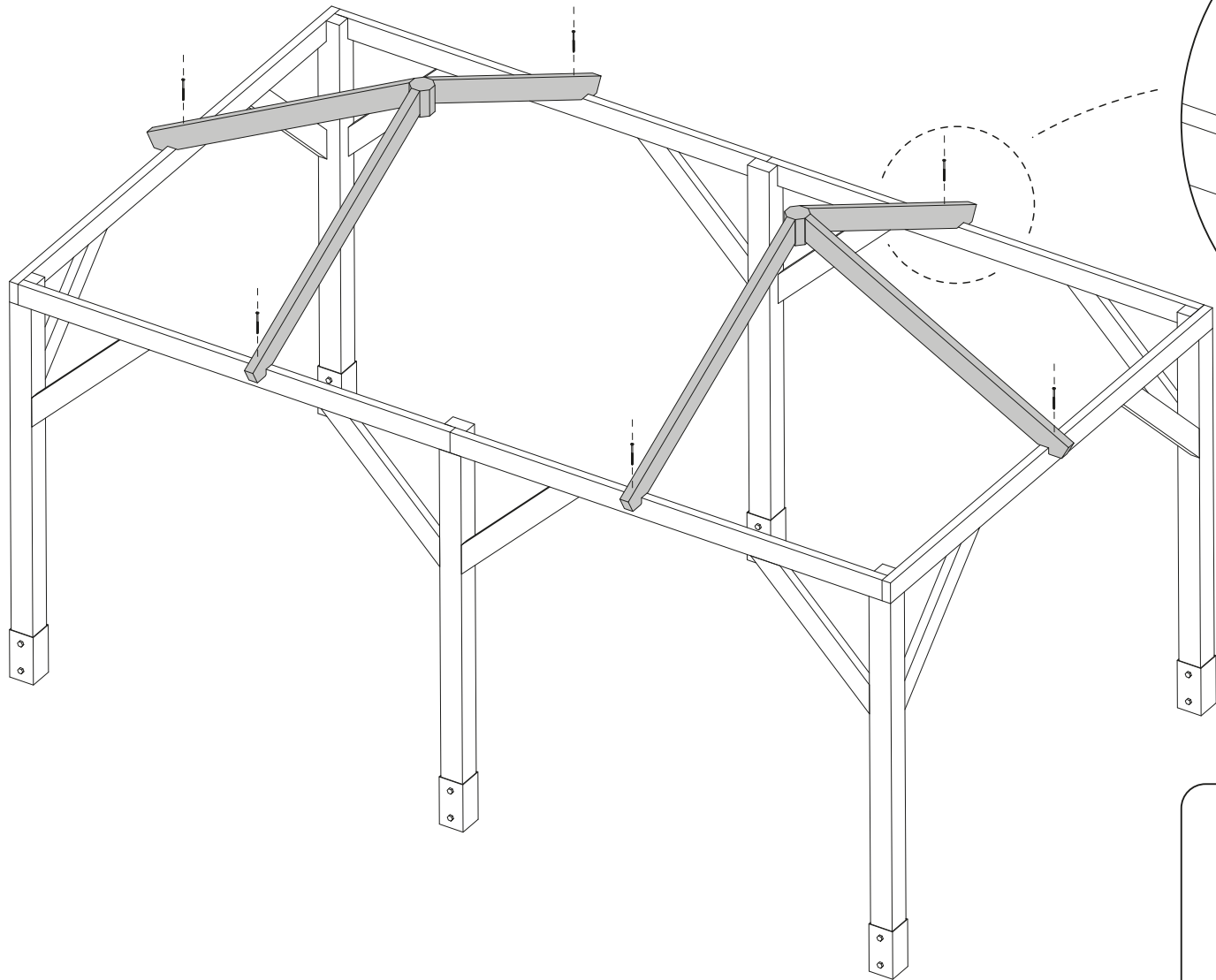


L x2

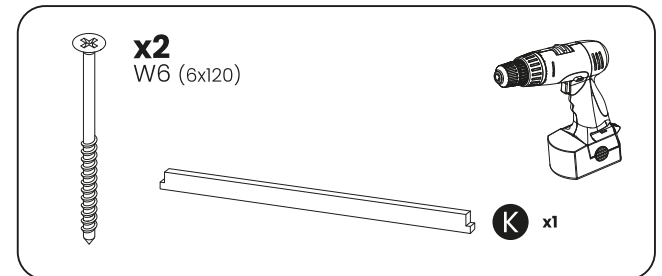
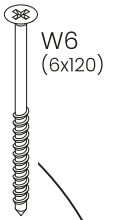
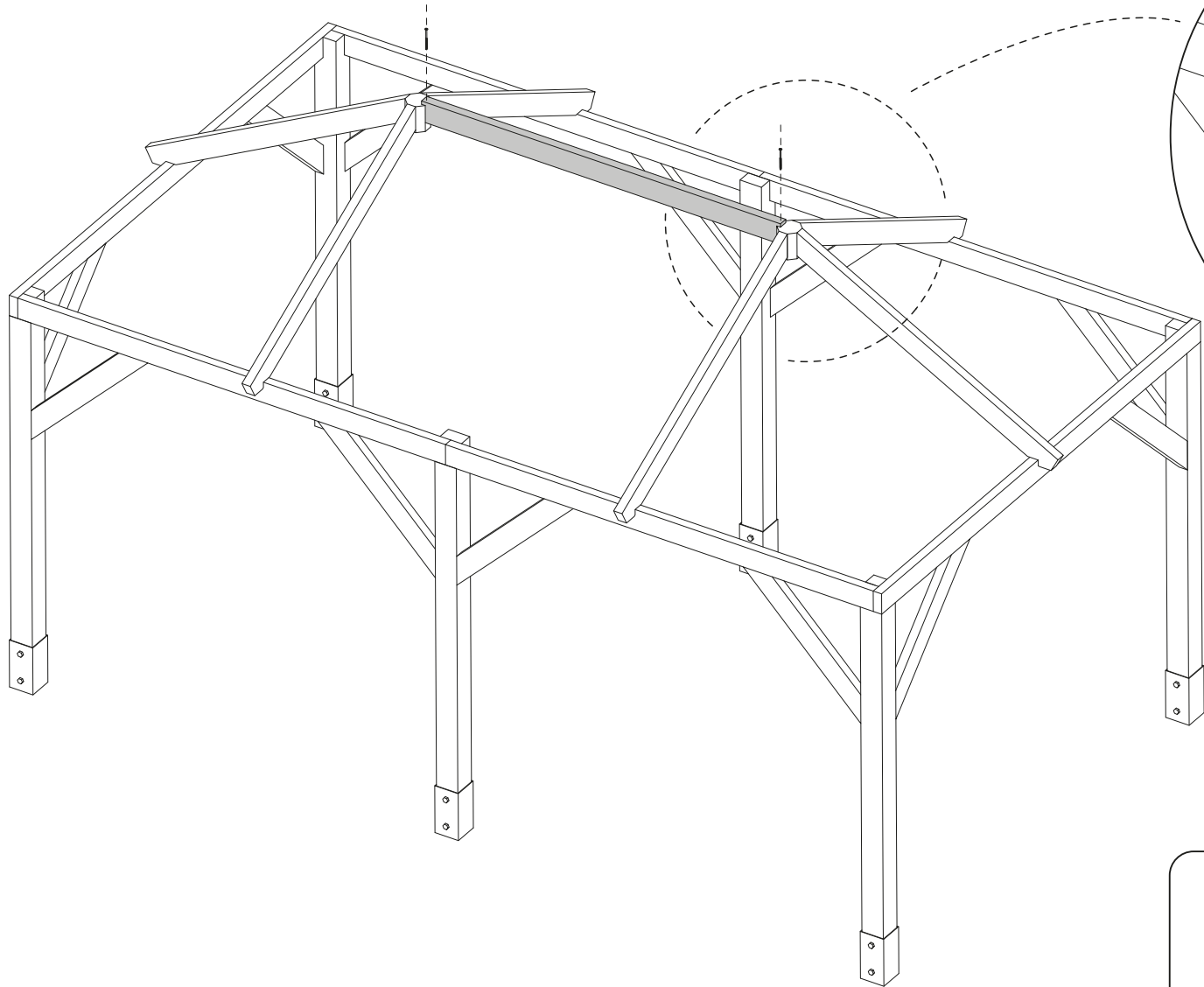


F x6

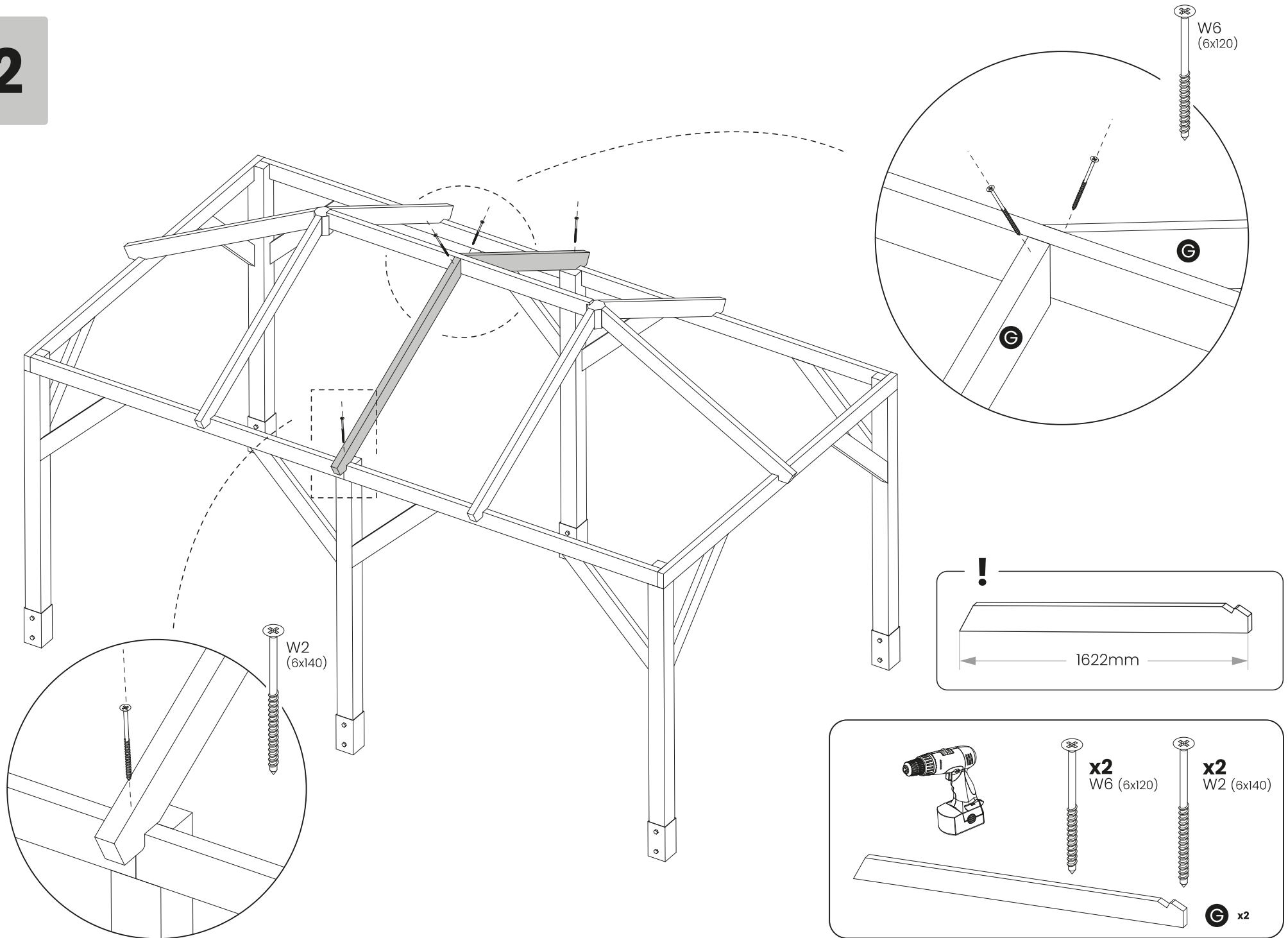
10



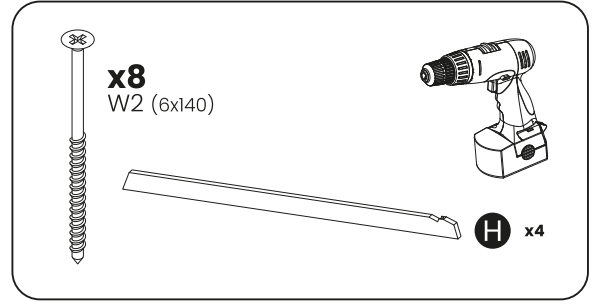
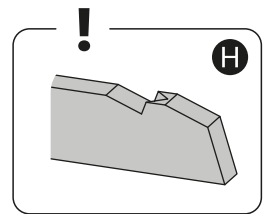
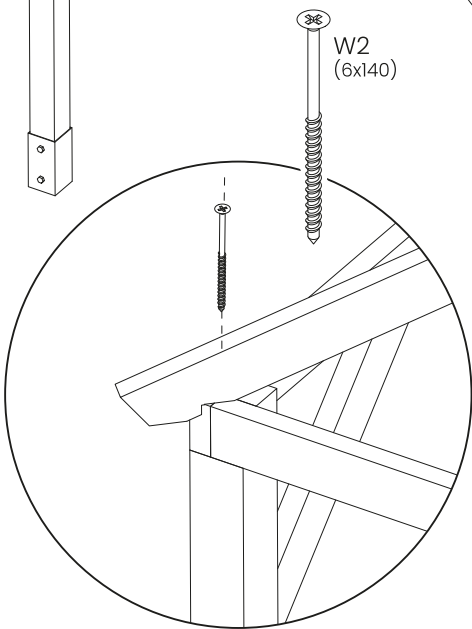
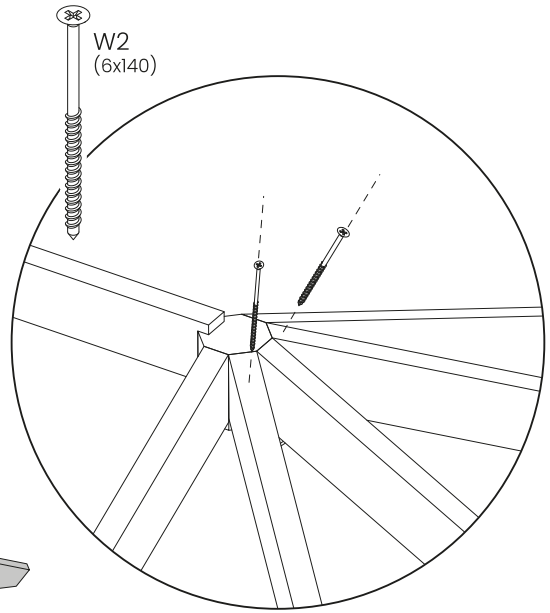
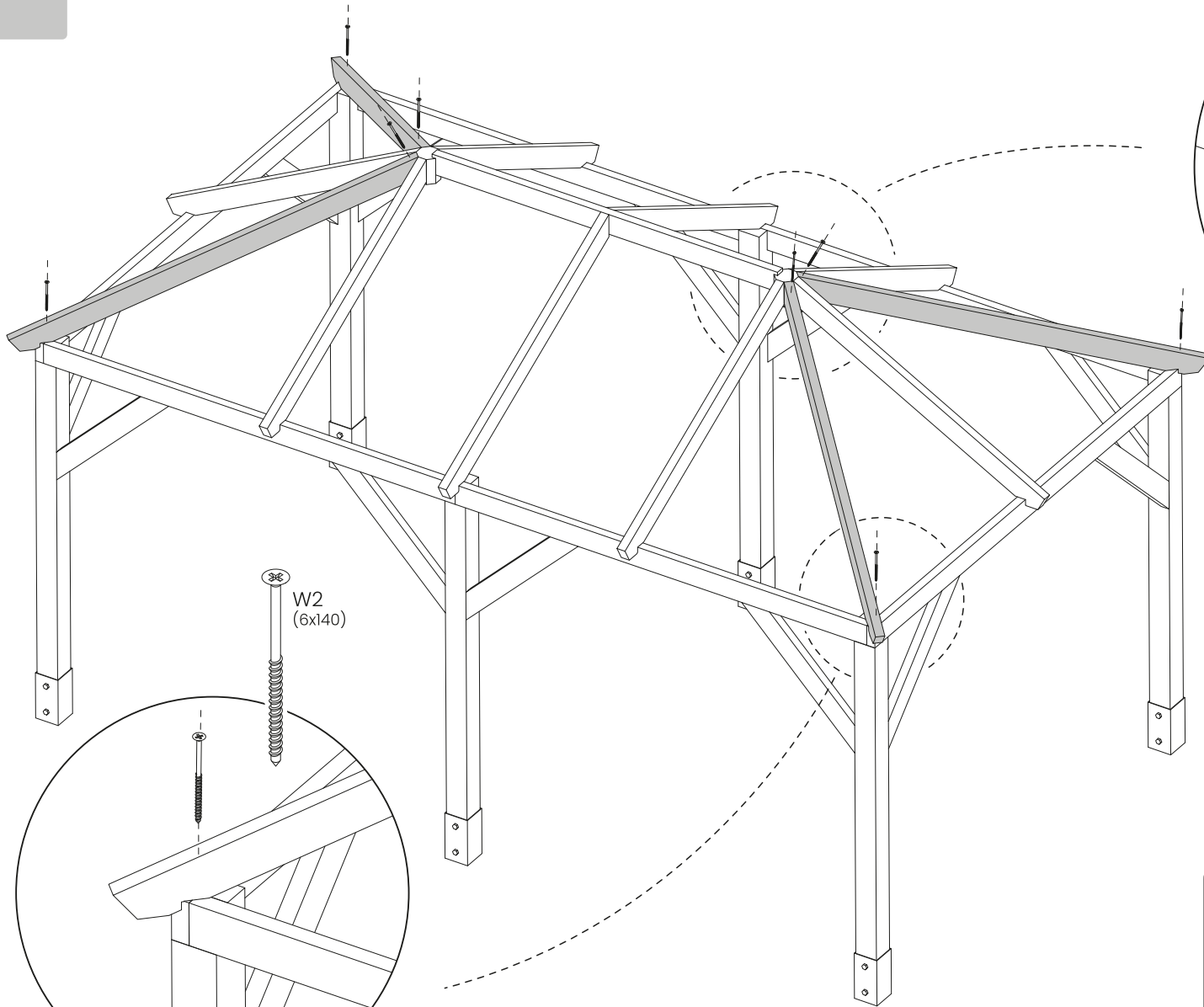
11

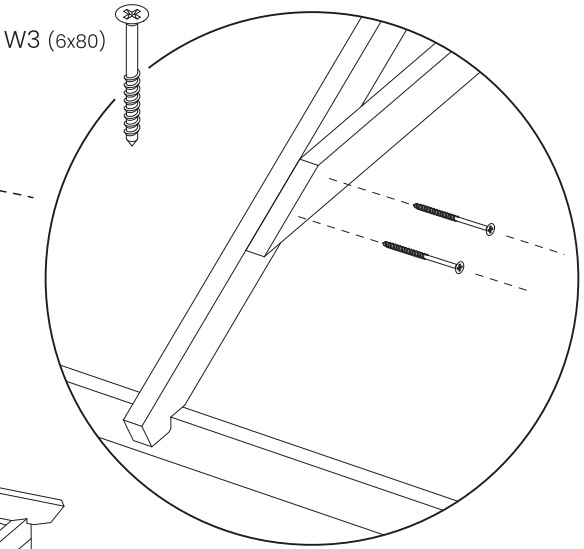
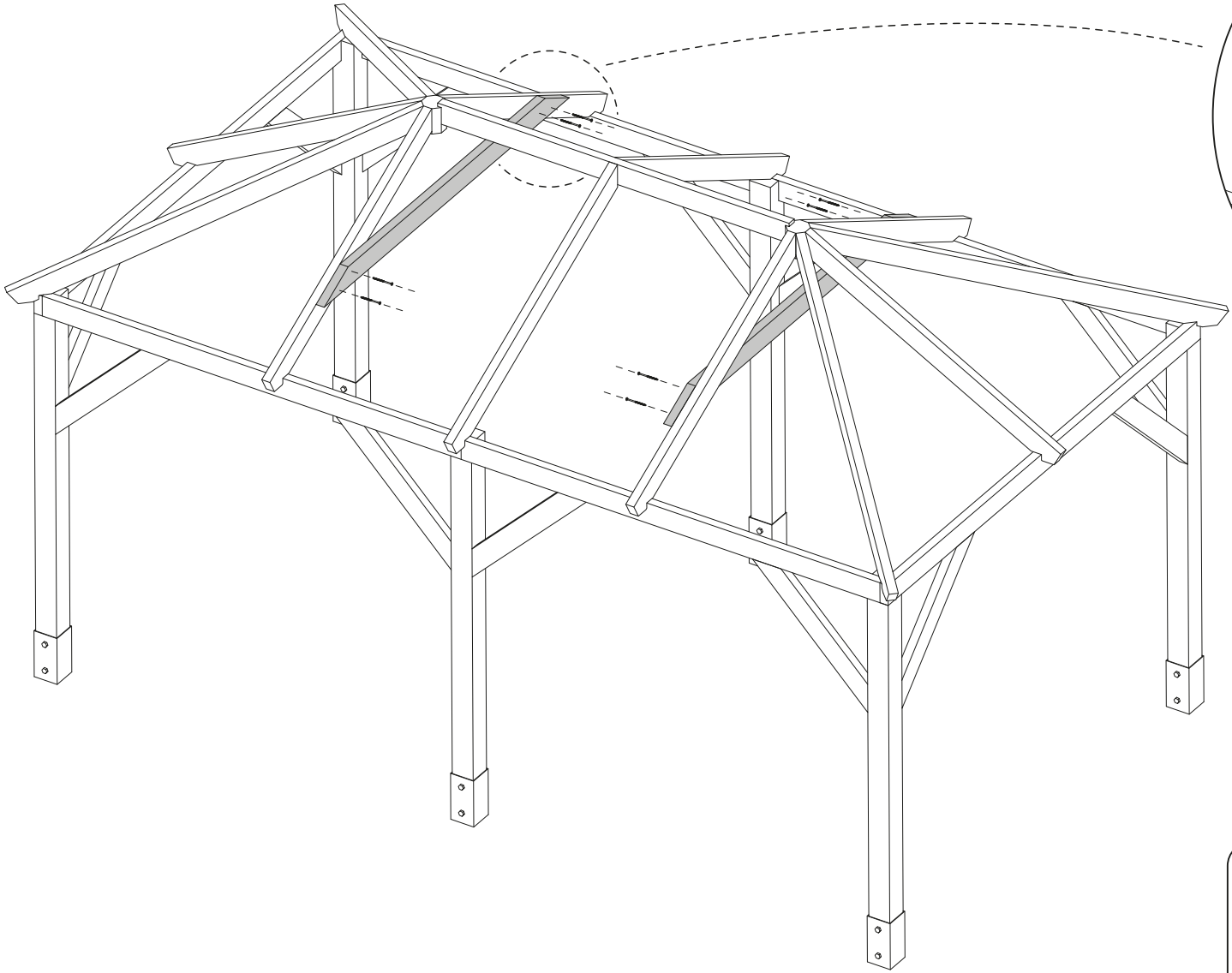


12



13

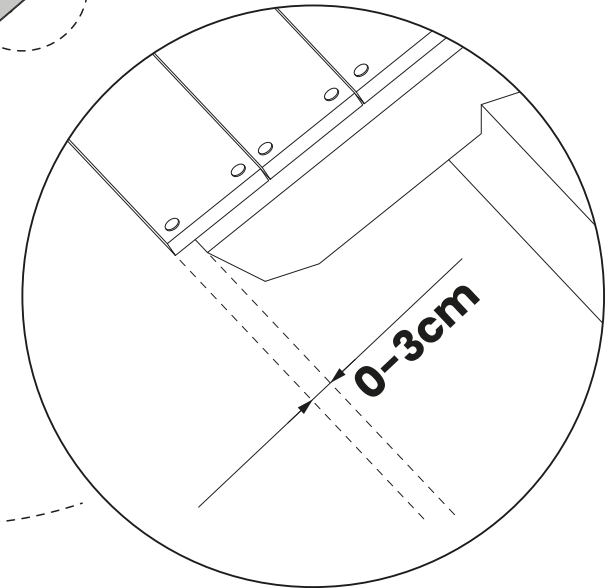
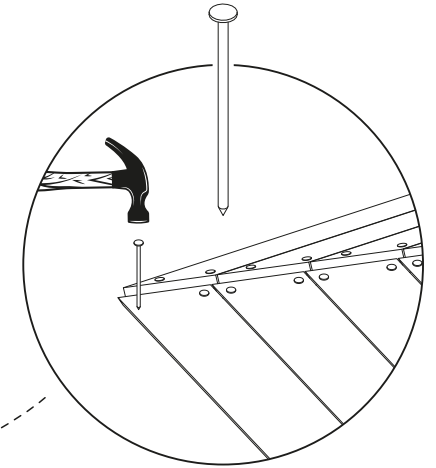
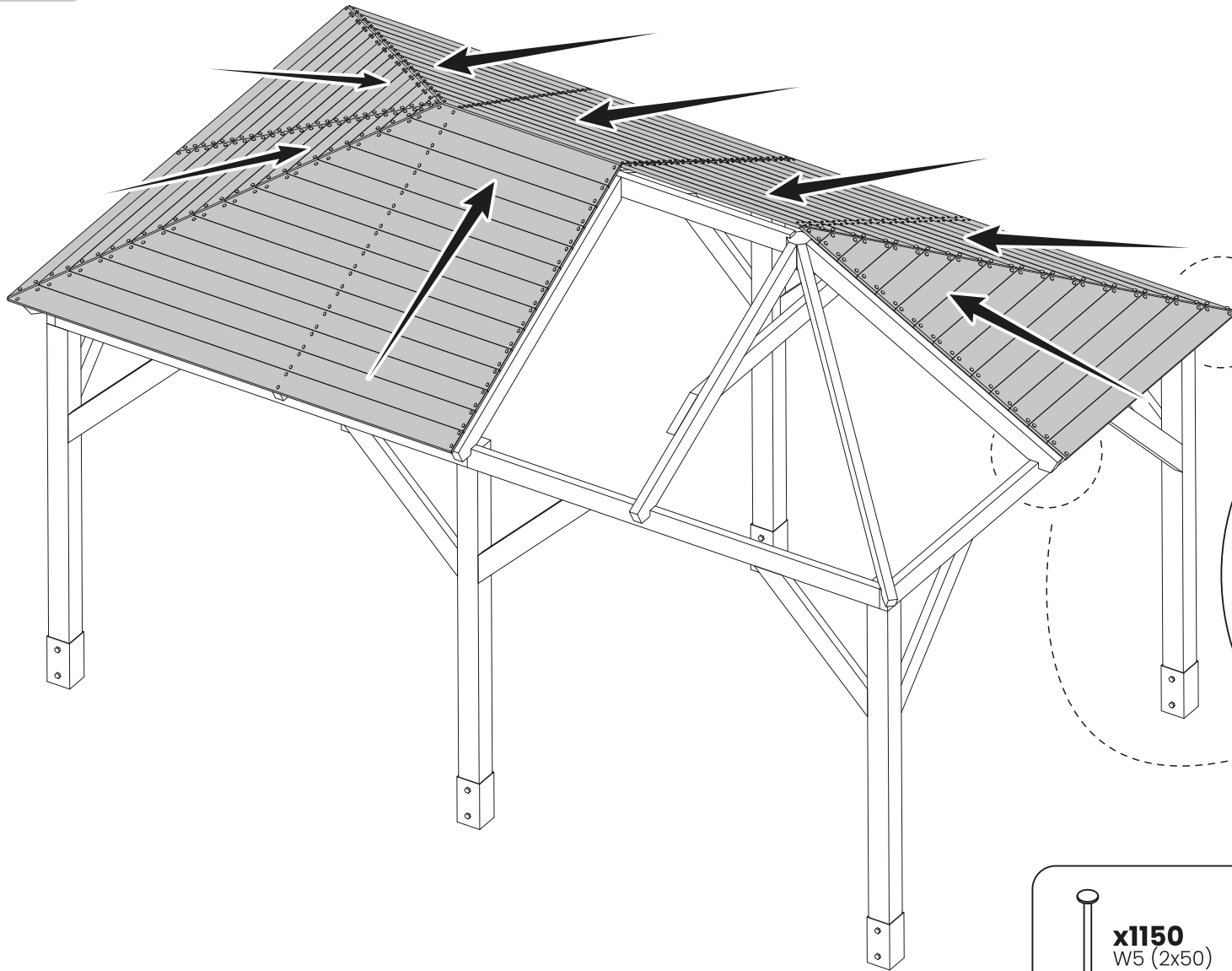





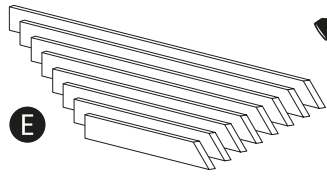
x8
W3 (6x80)


A diagram showing a screw and a drill bit. The screw is labeled "W3 (6x80)". To the right is a power drill. Below the drill is a small circle with the number "1" and "x2" next to it, indicating that two of these items are required.

15



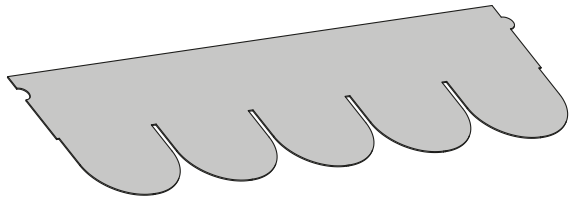
 **x1150**
W5 (2x50)

 **E**

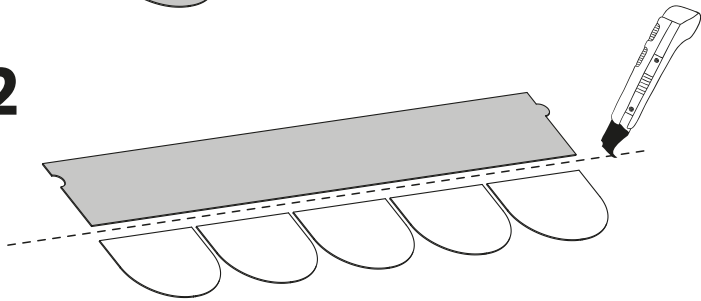


16

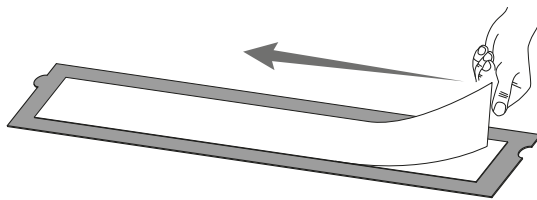
1



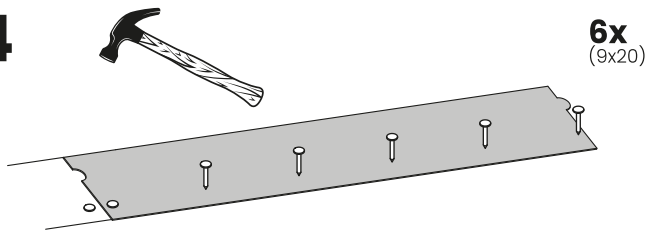
2



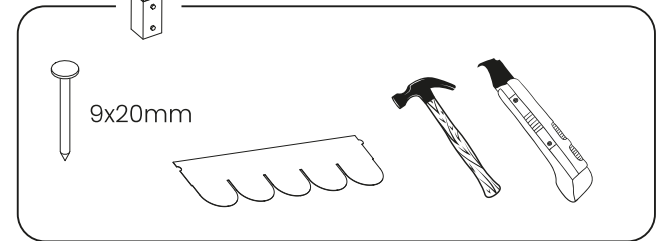
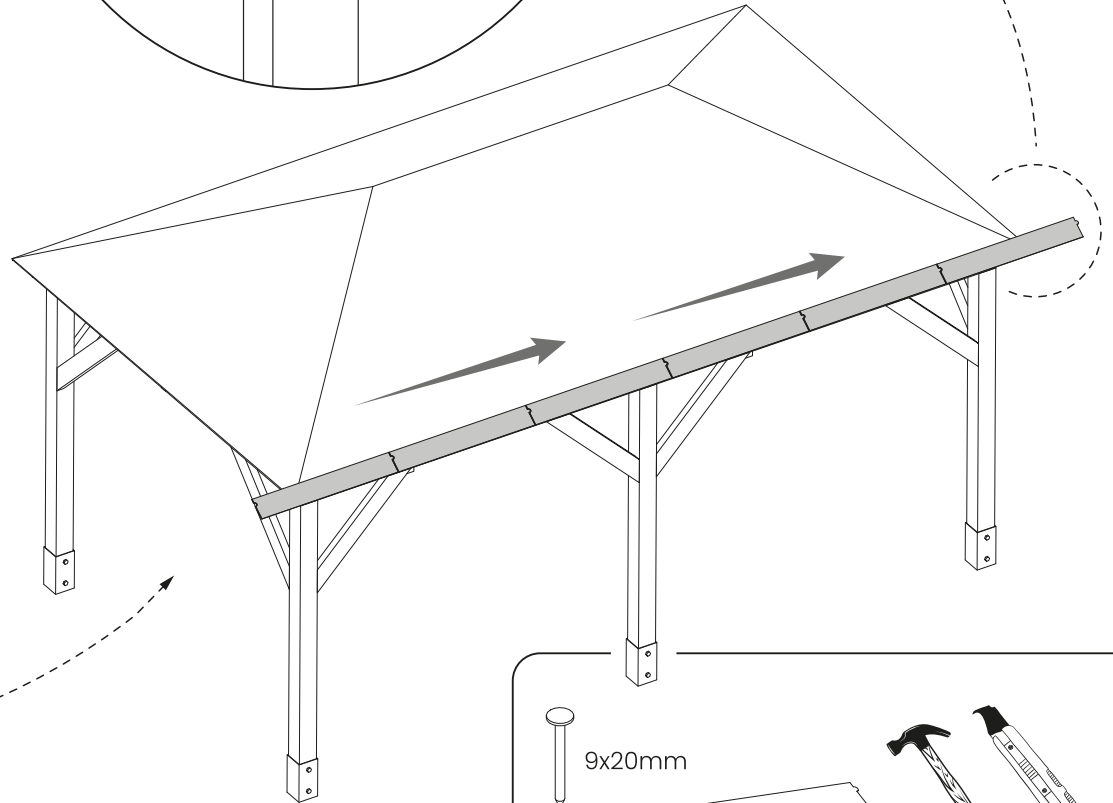
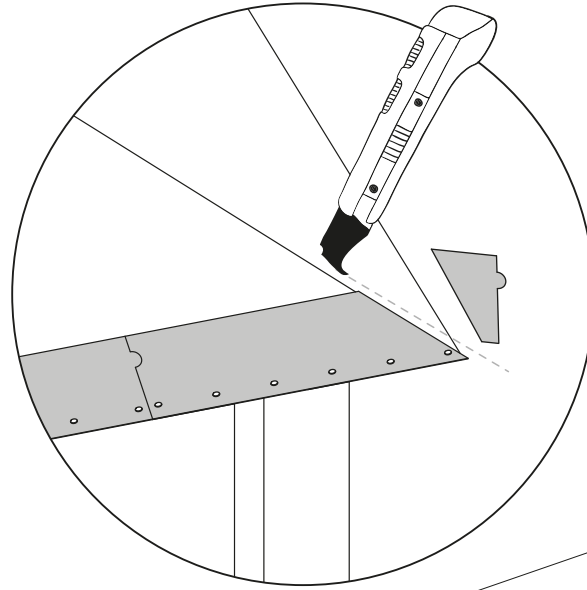
3

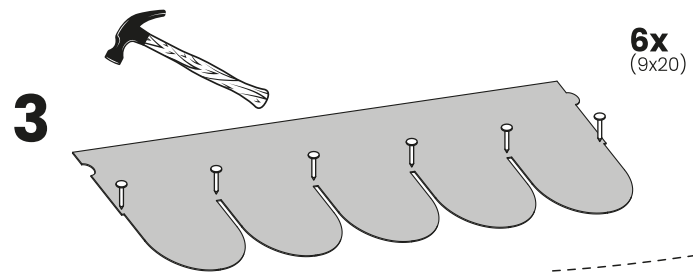
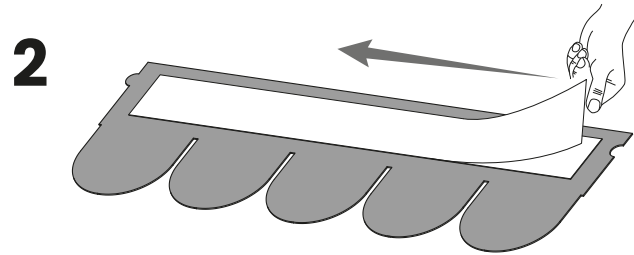
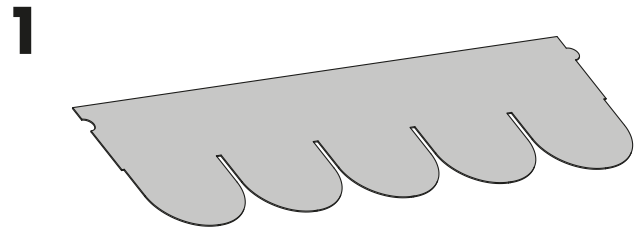


4

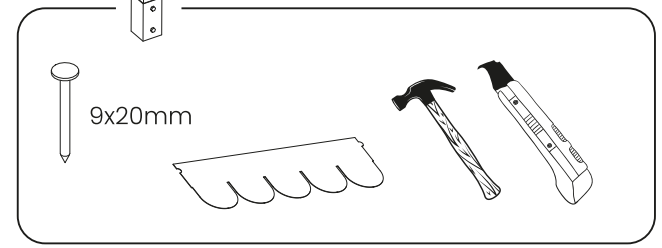
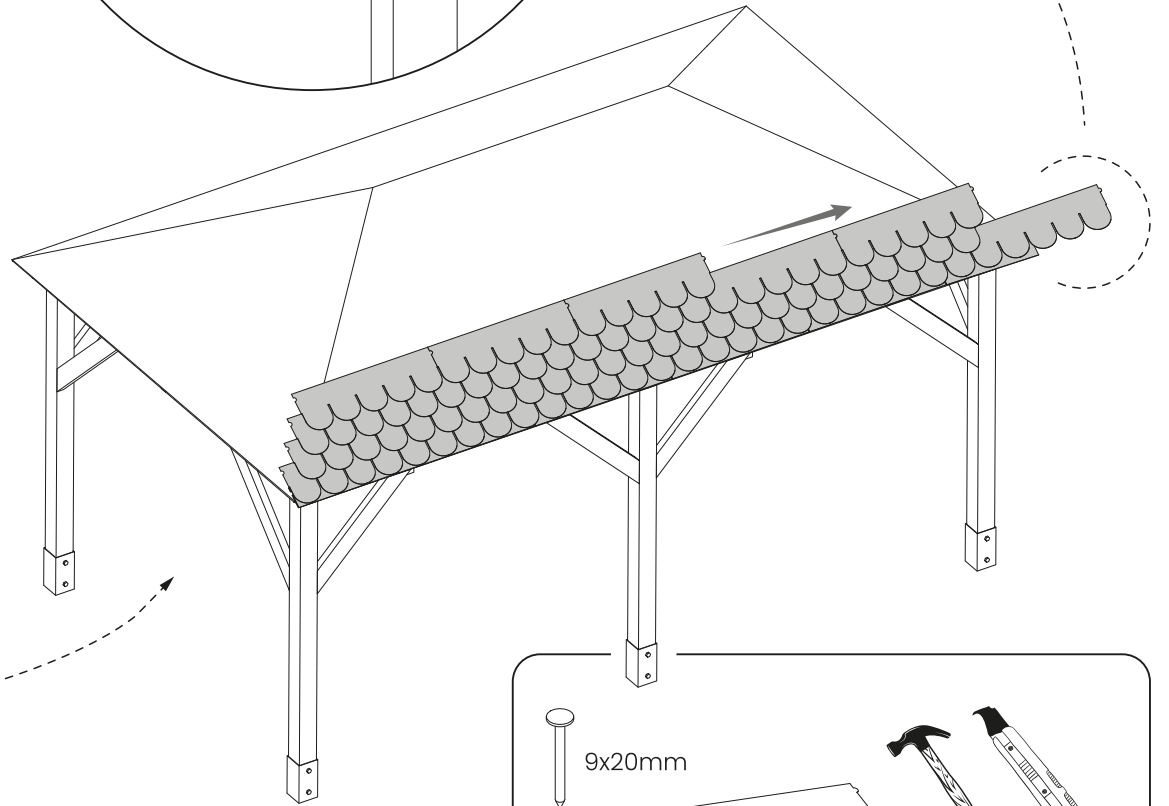
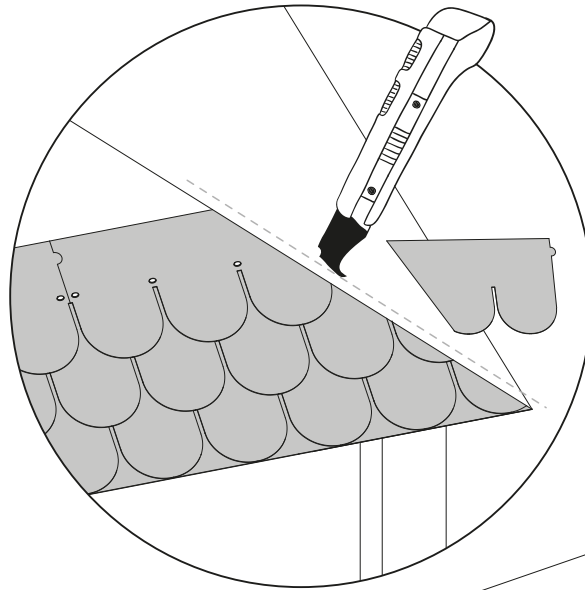


5

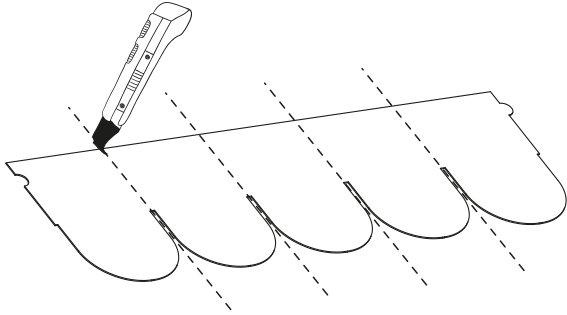




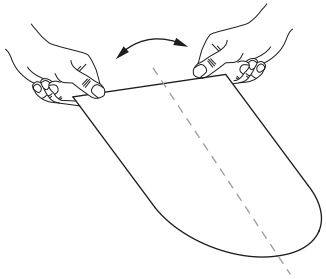
4



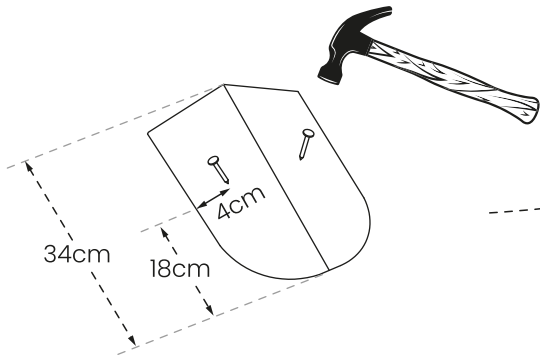
1



2



3



4

