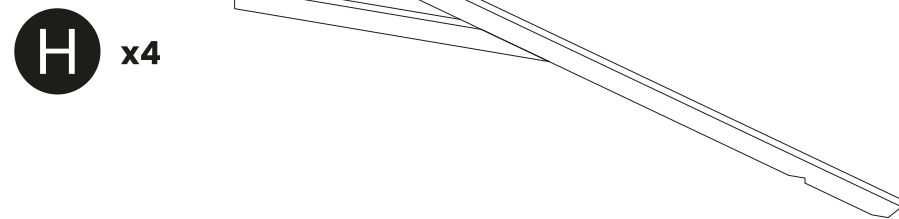
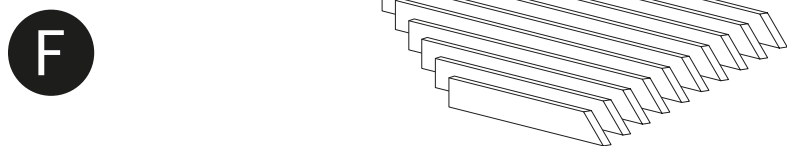
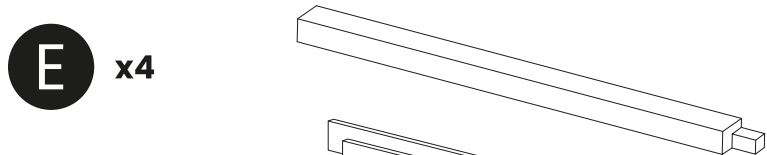
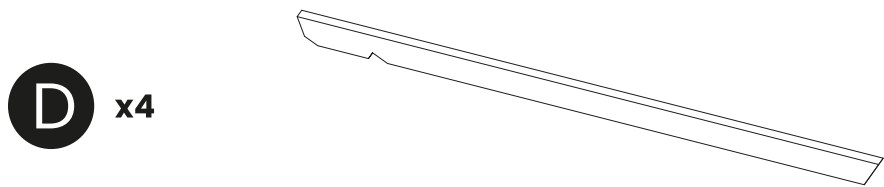
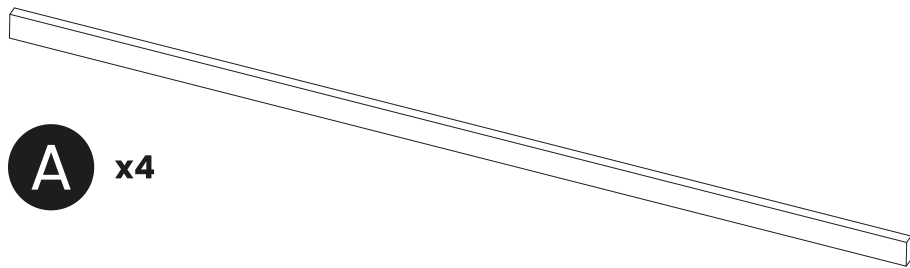


330x330cm



x20
W1 (6x160)



x24
W2 (6x140)



x16
W4 (6x100)



x16
W3 (6x80)



x1150
W5 (2x50)





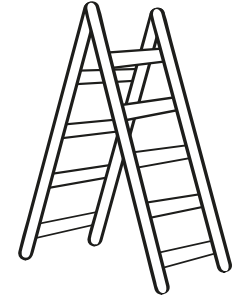
x2



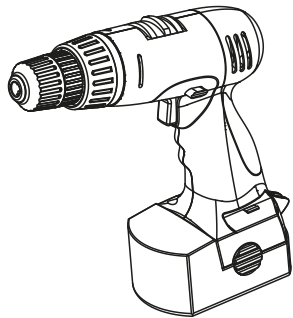
x1



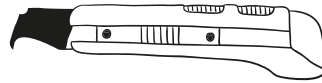
x1



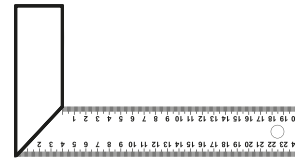
x2



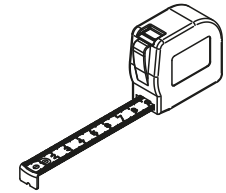
x1



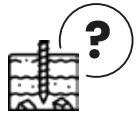
x2



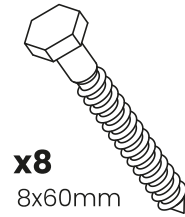
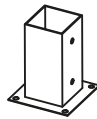
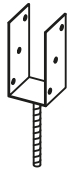
x1



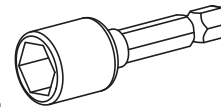
x1



x4



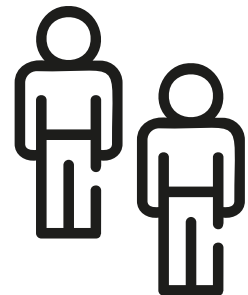
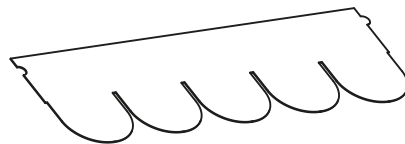
x8
8x60mm



x1
● 13

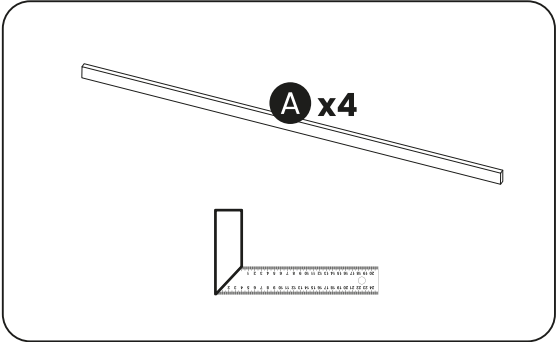
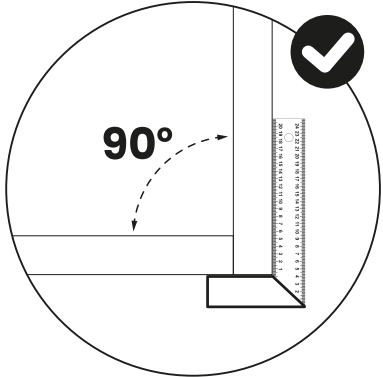
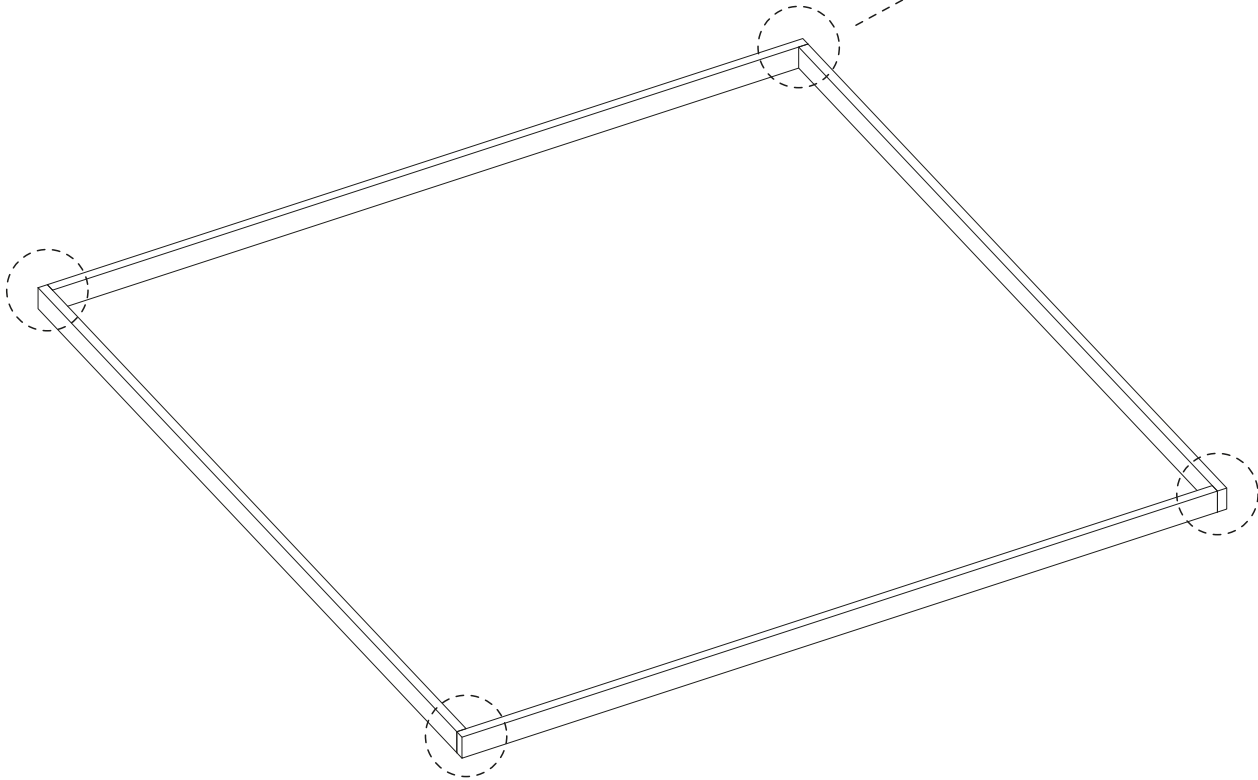


x1200
9x20mm

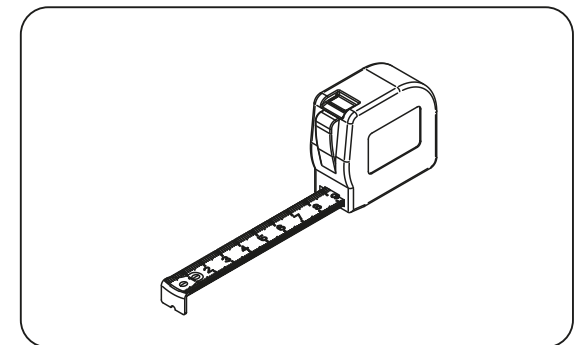
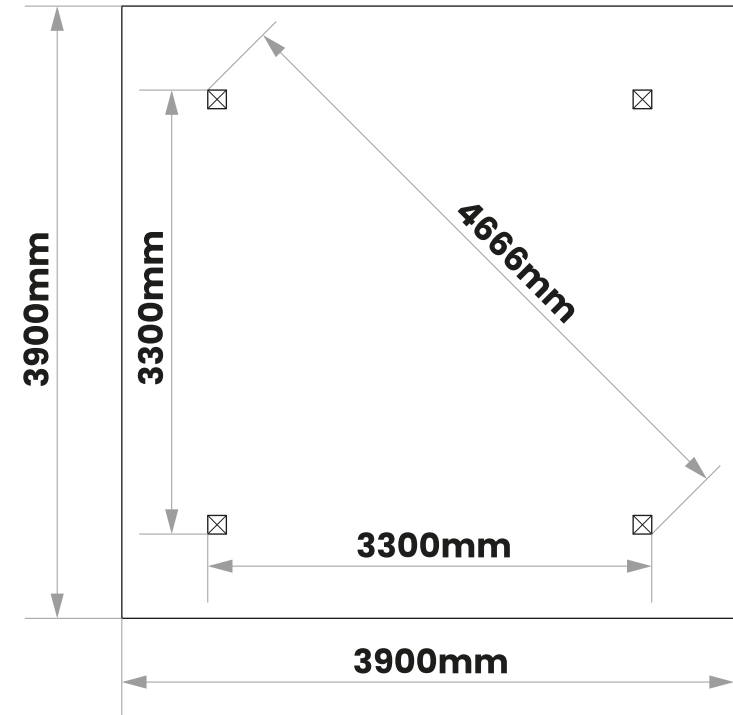
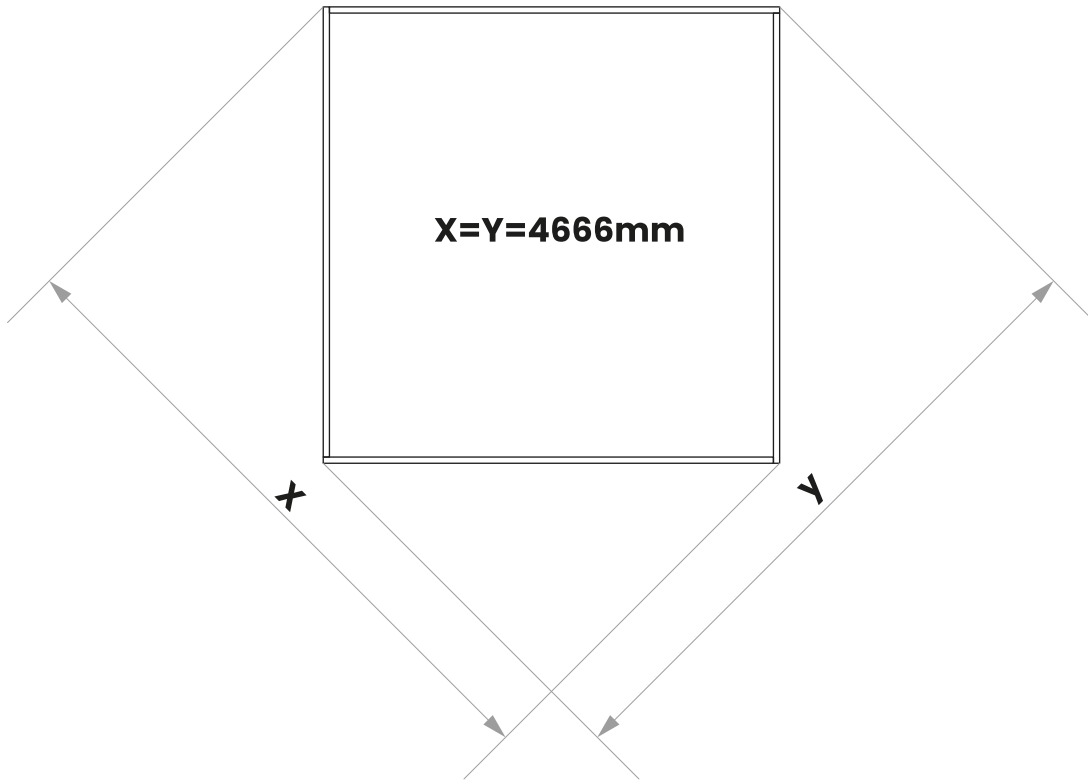


x2

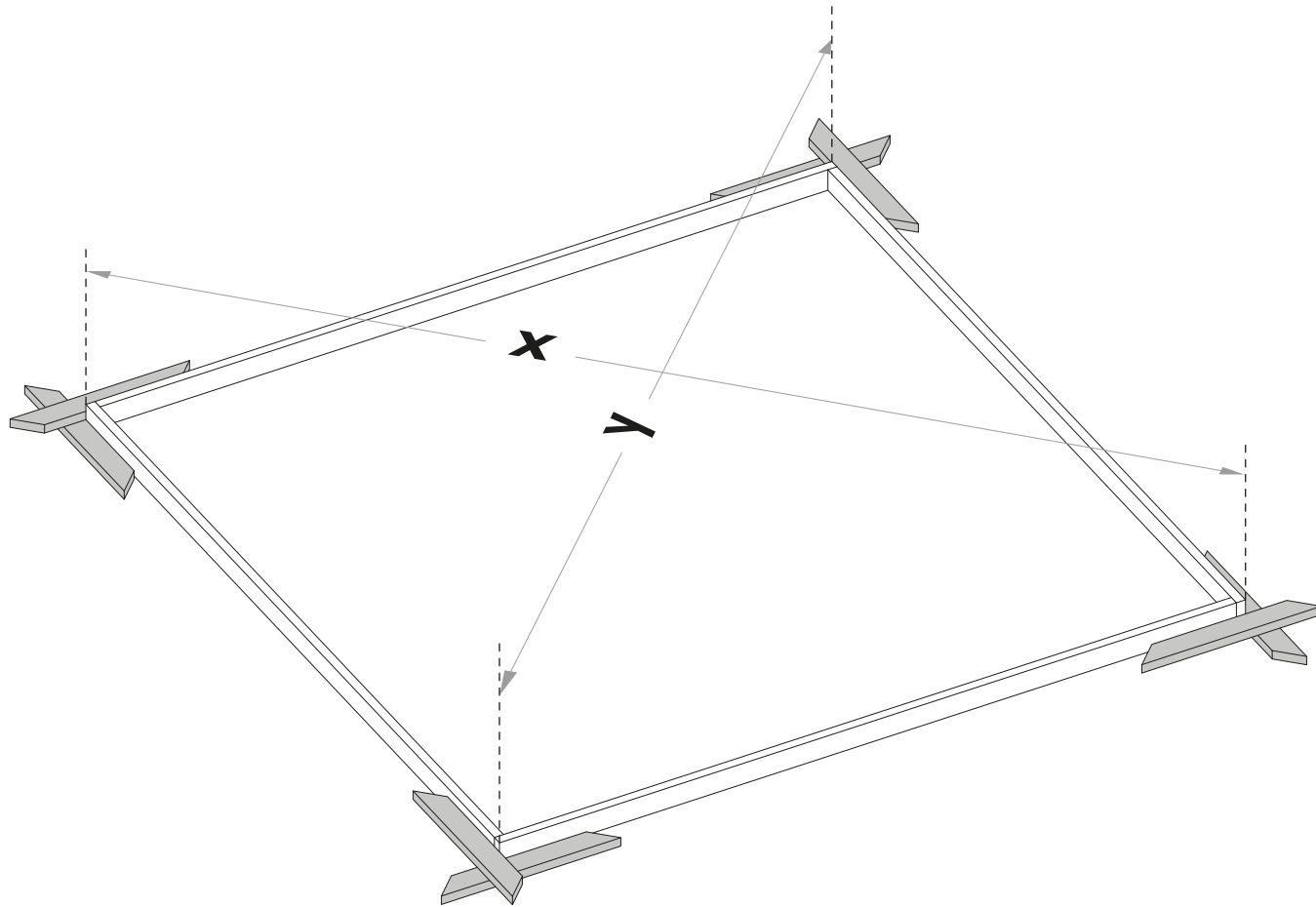
1



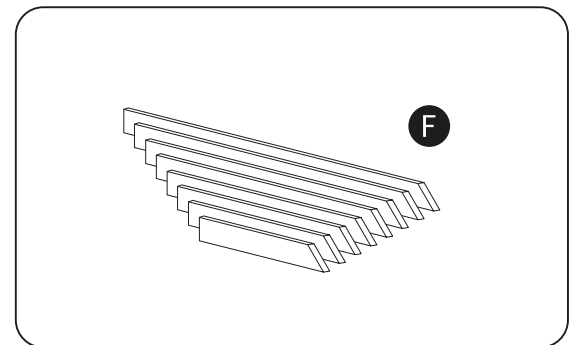
2



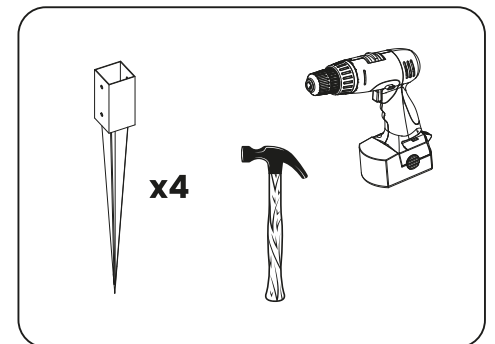
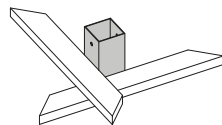
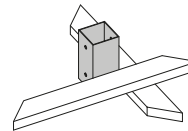
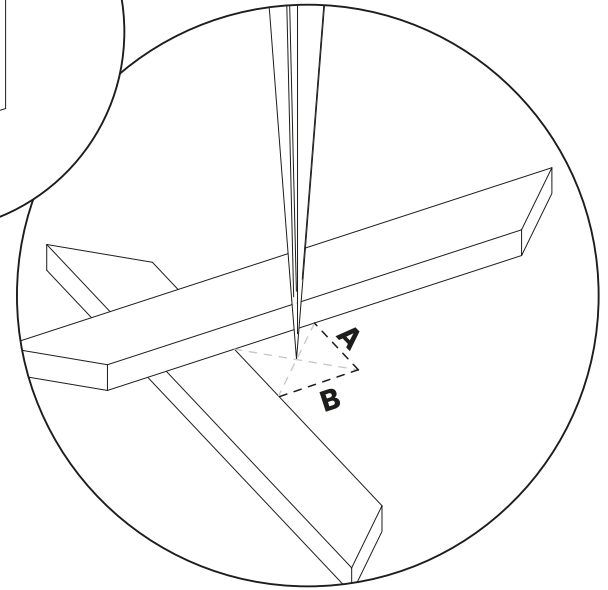
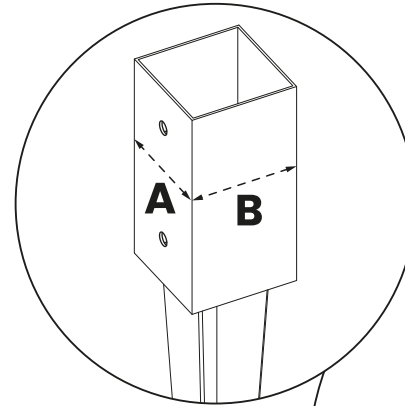
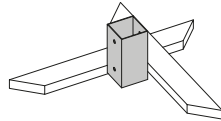
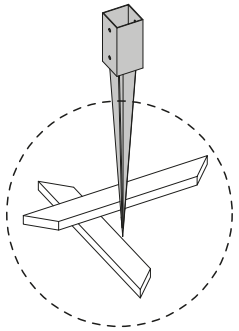
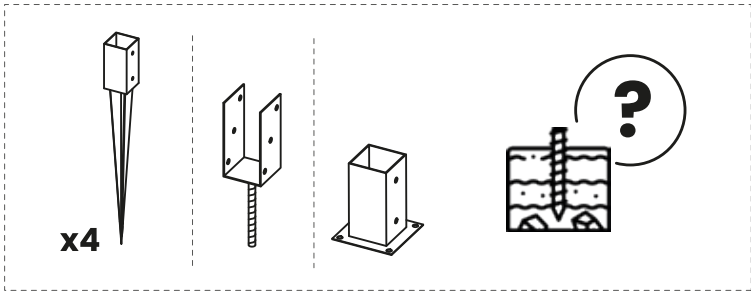
3



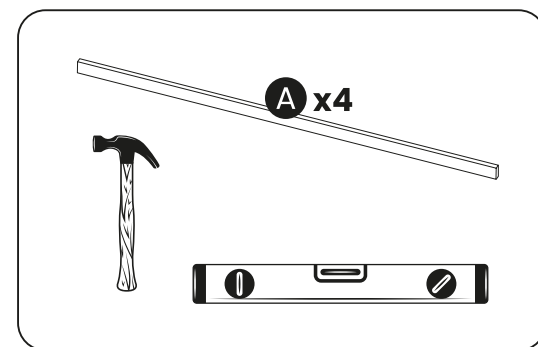
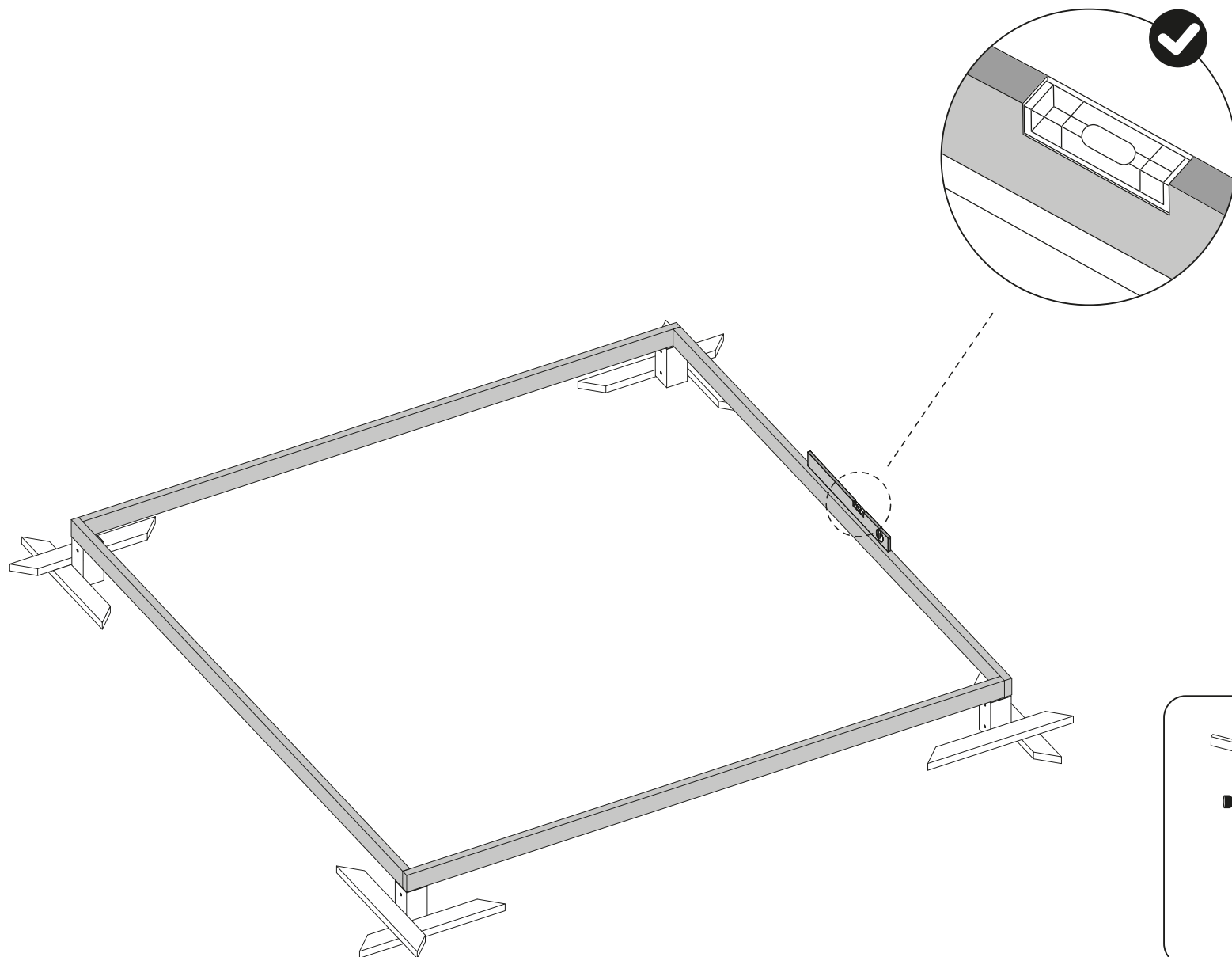
X=Y=4666mm



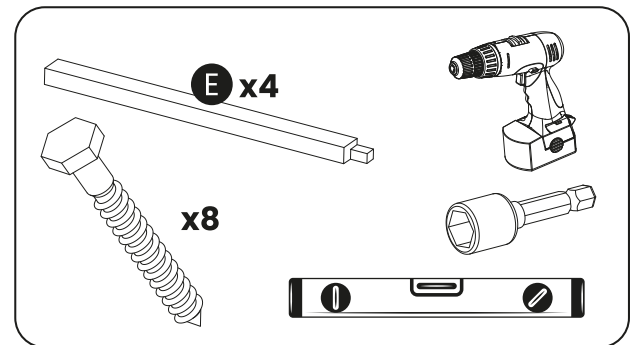
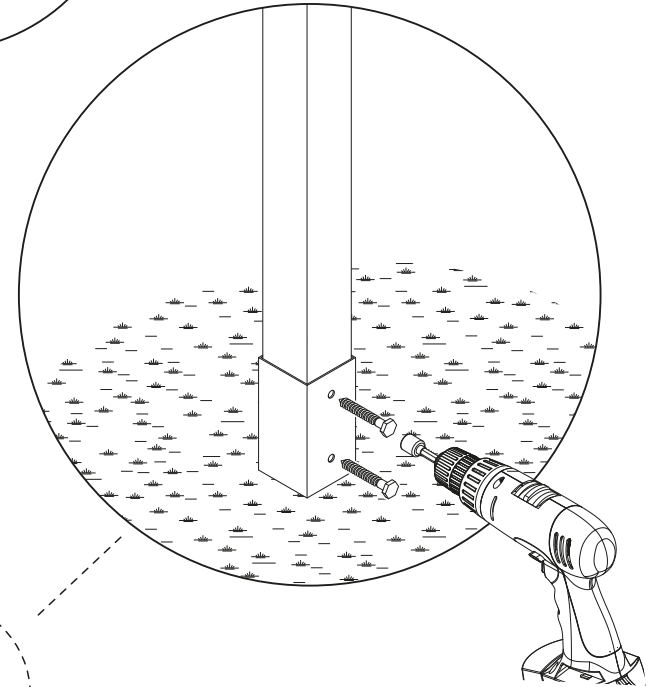
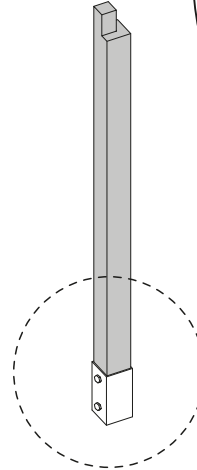
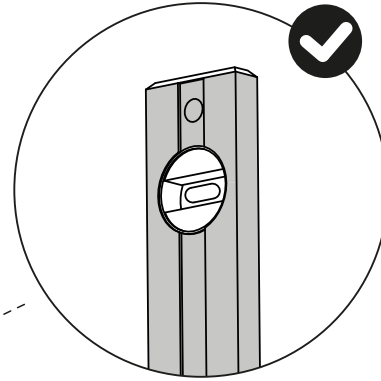
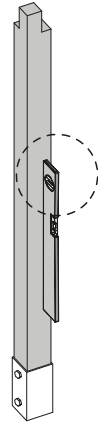
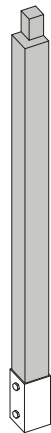
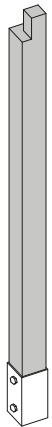
4



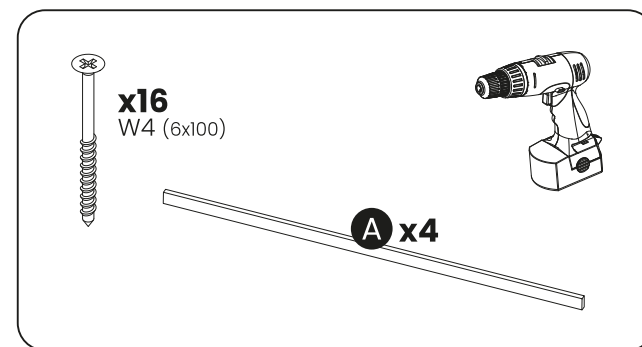
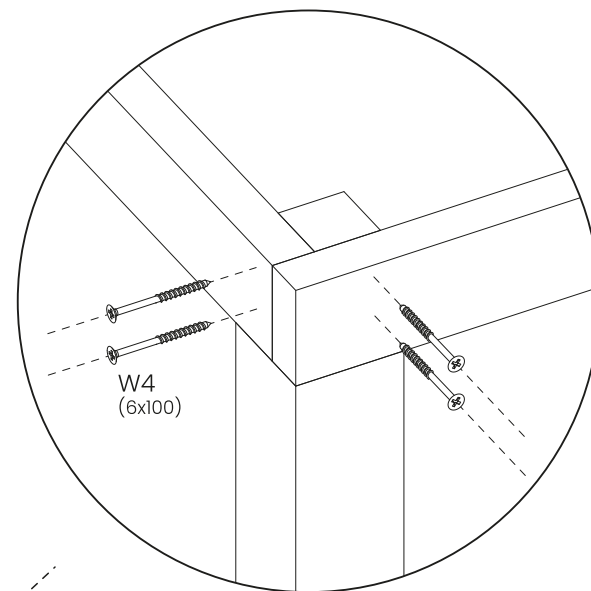
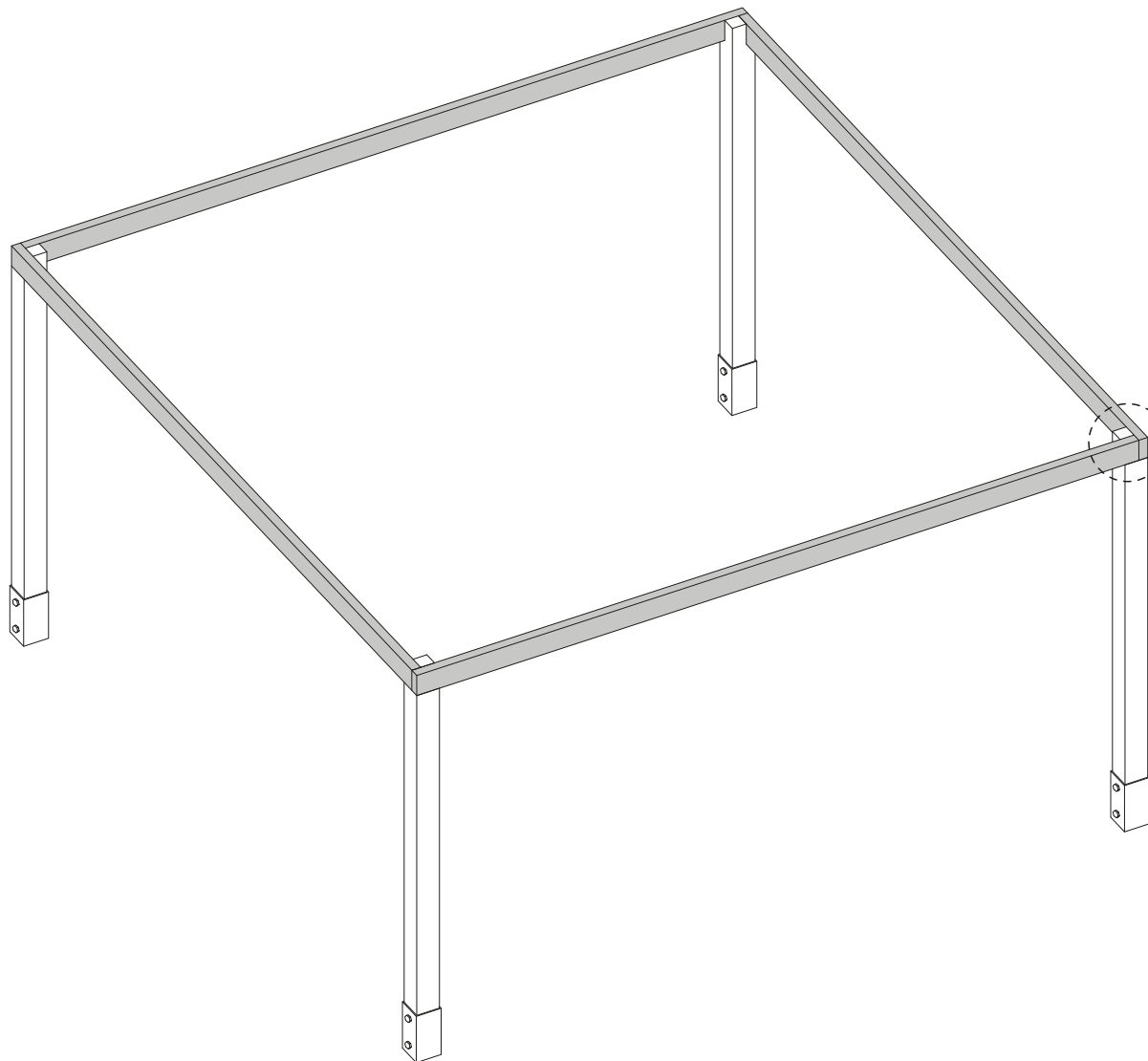
5



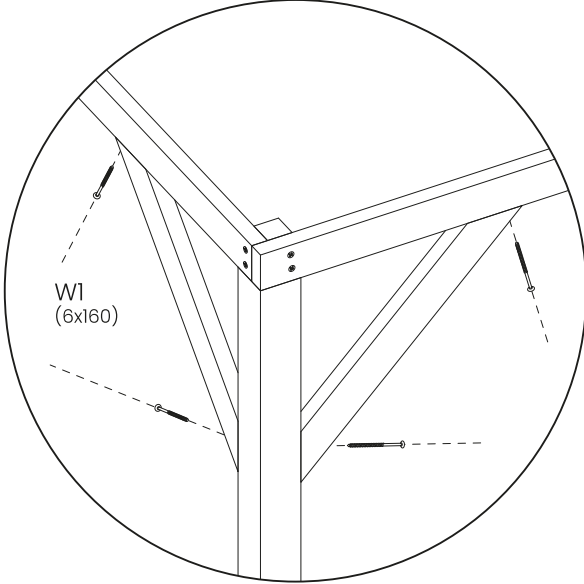
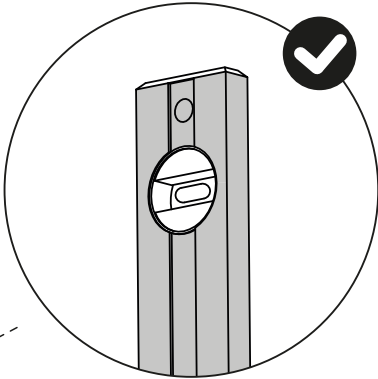
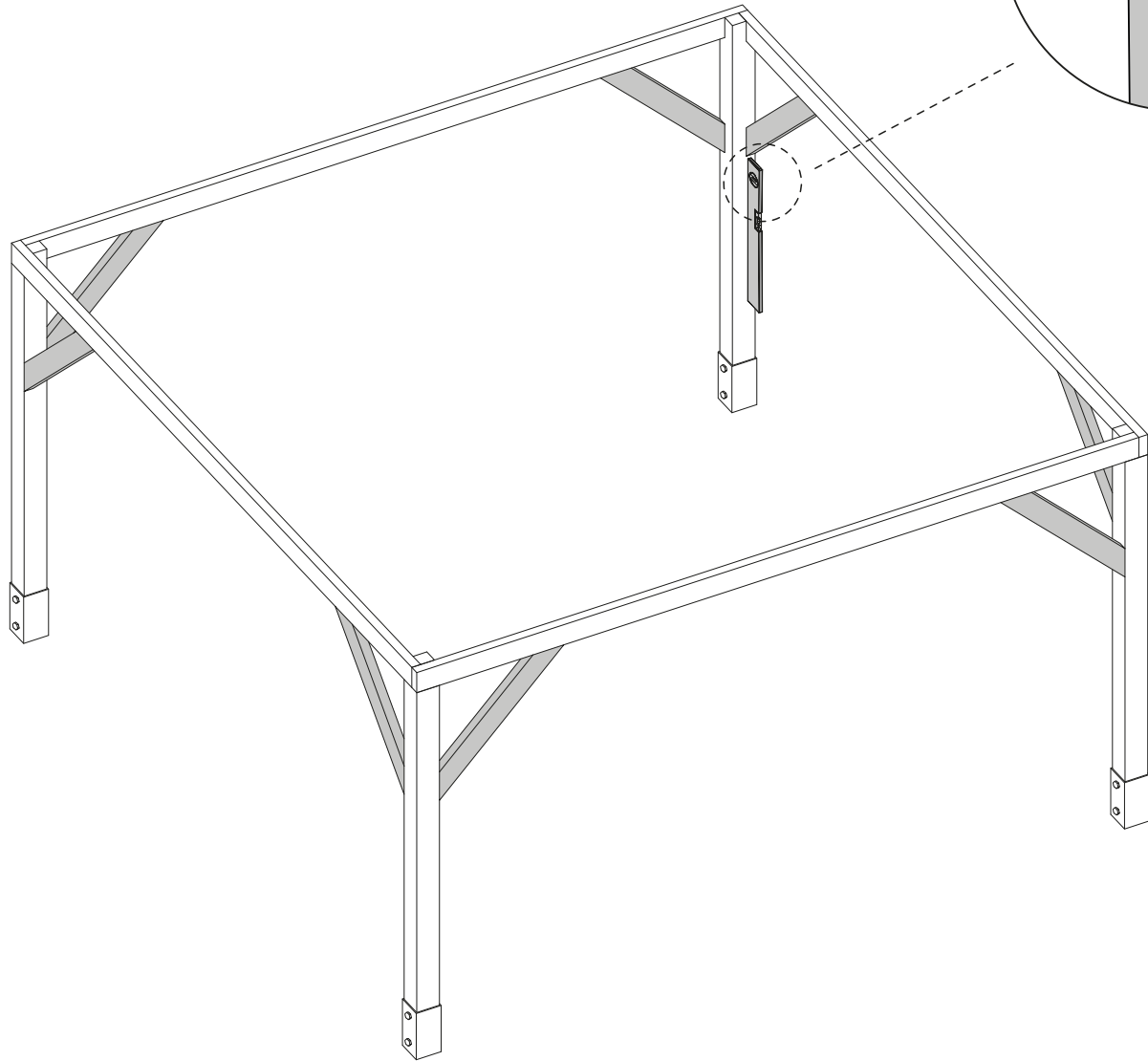
6



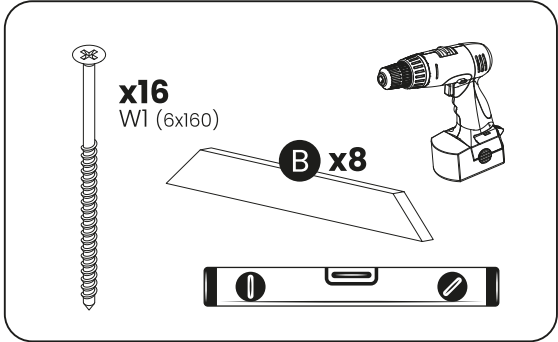
7



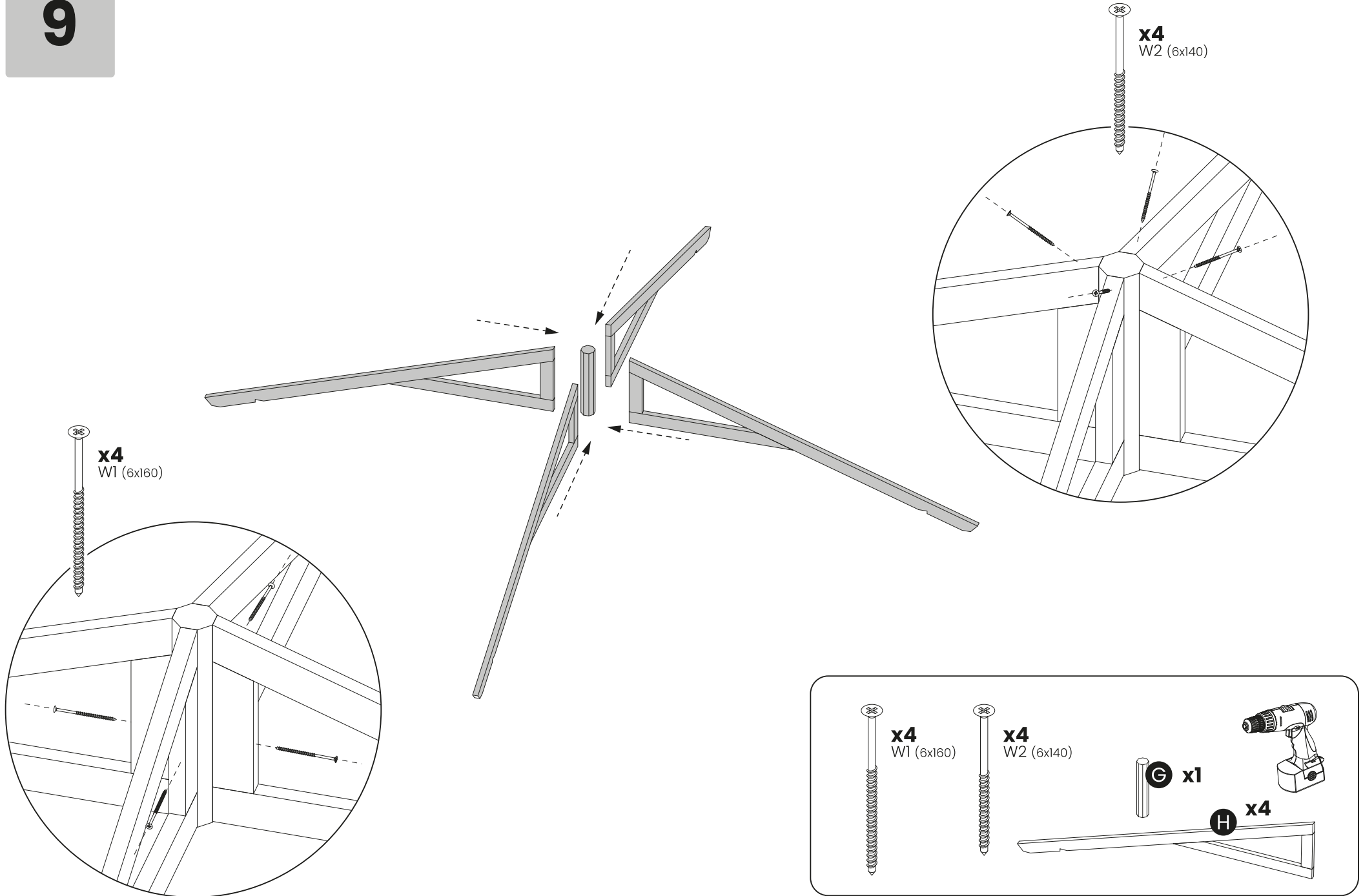
8

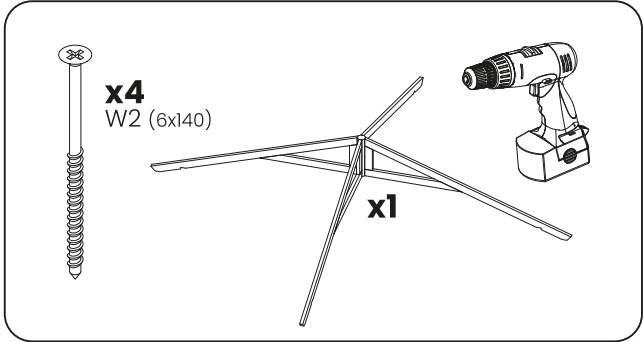
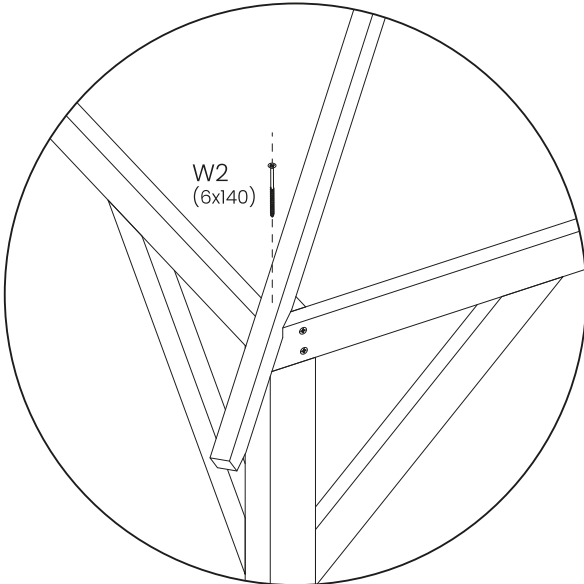
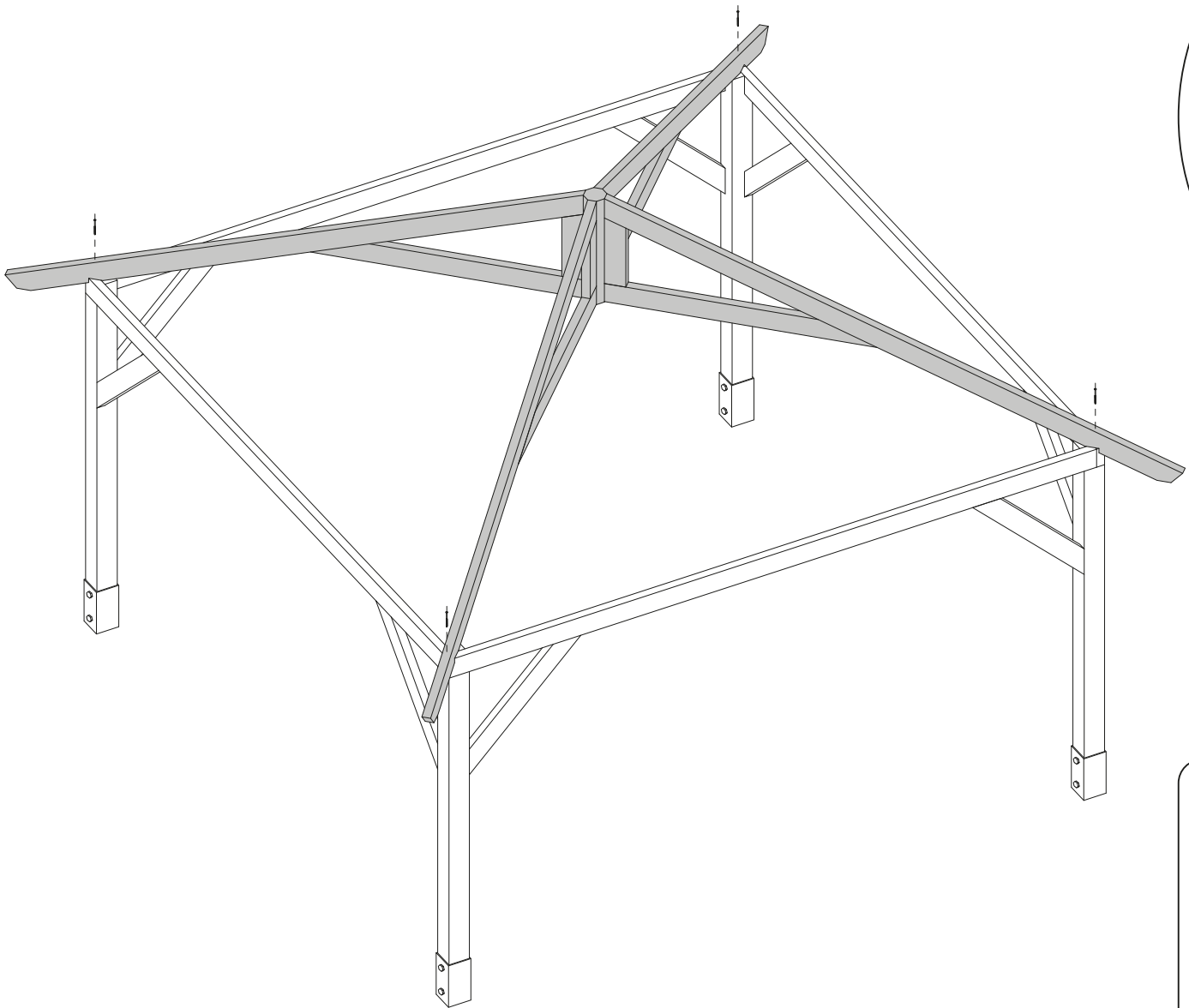


W1
(6x160)

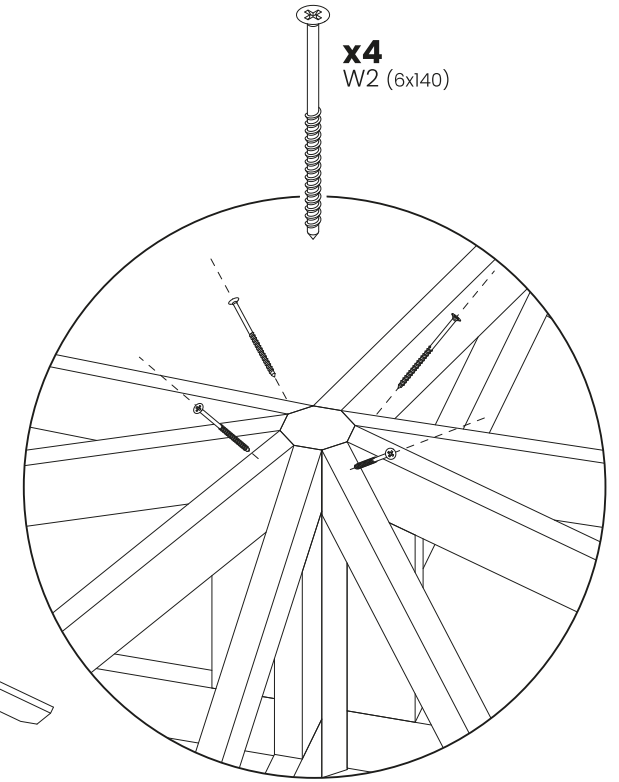
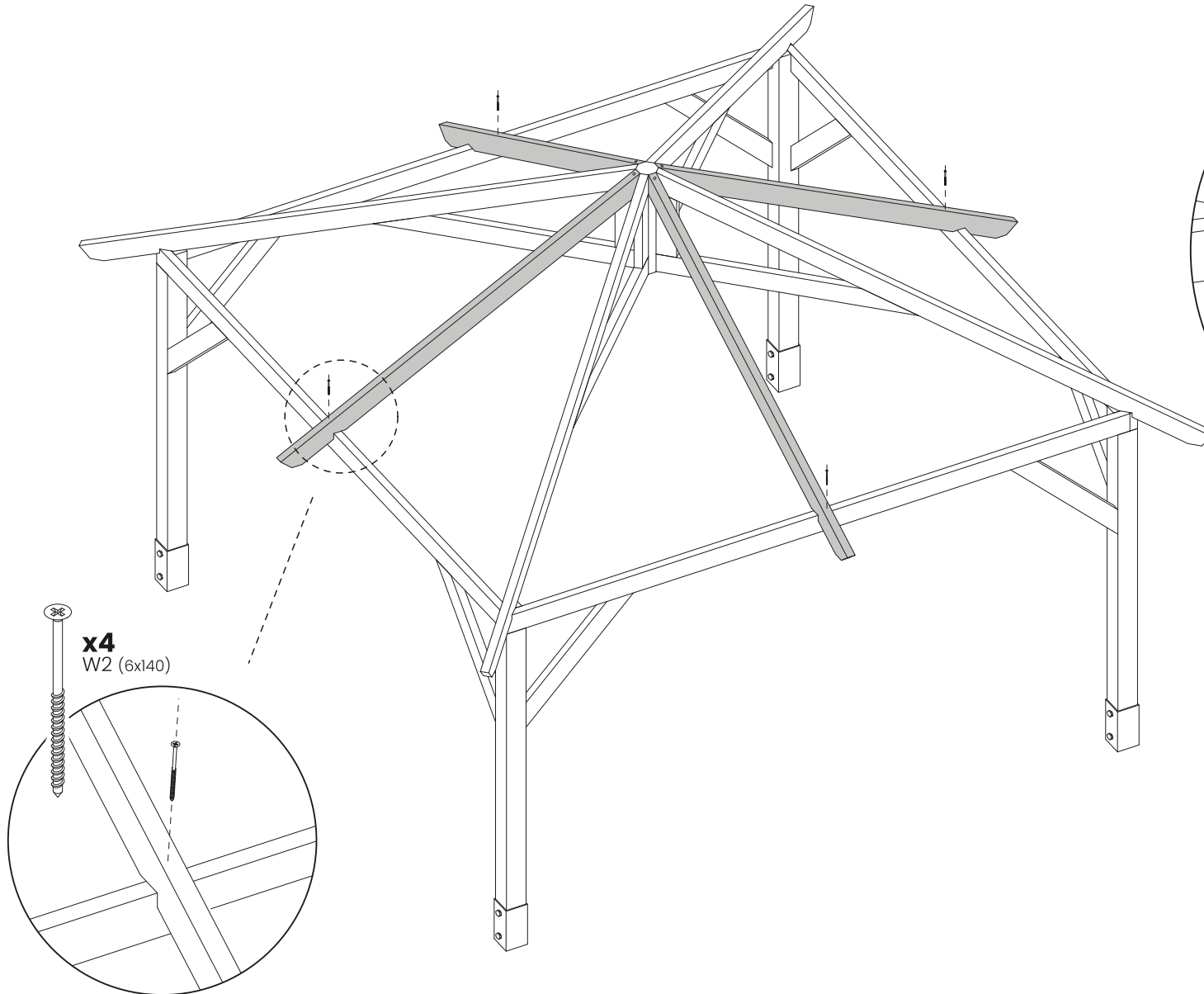


9

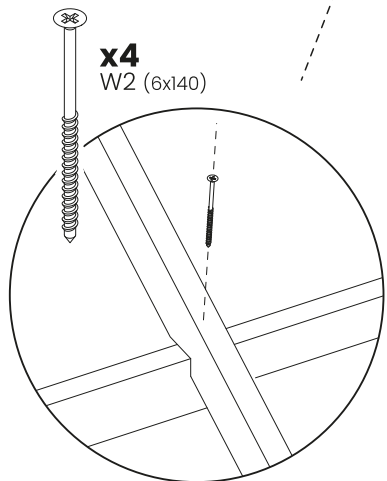




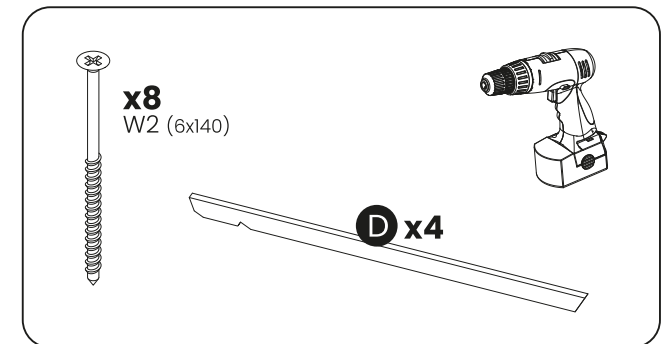
11



x4
W2 (6x140)

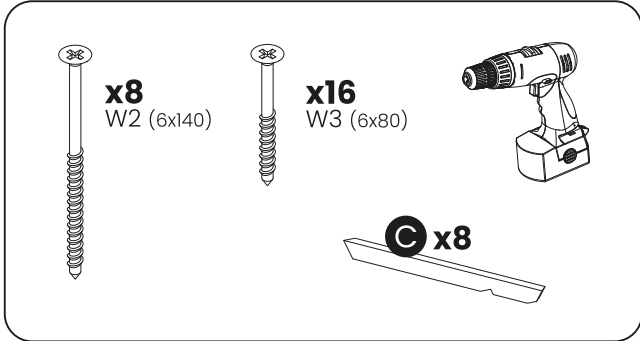
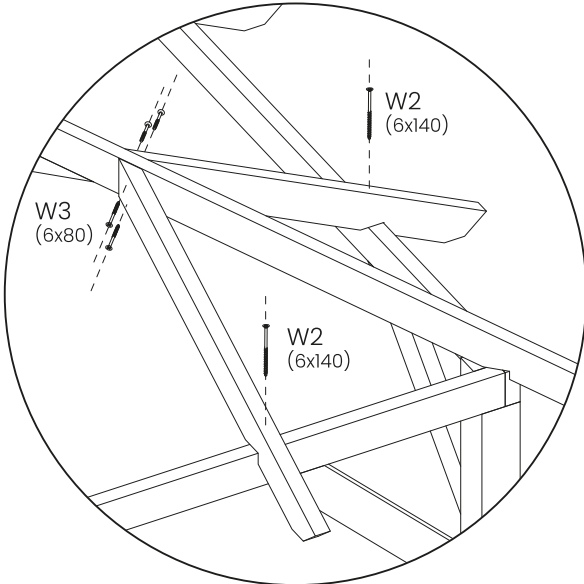
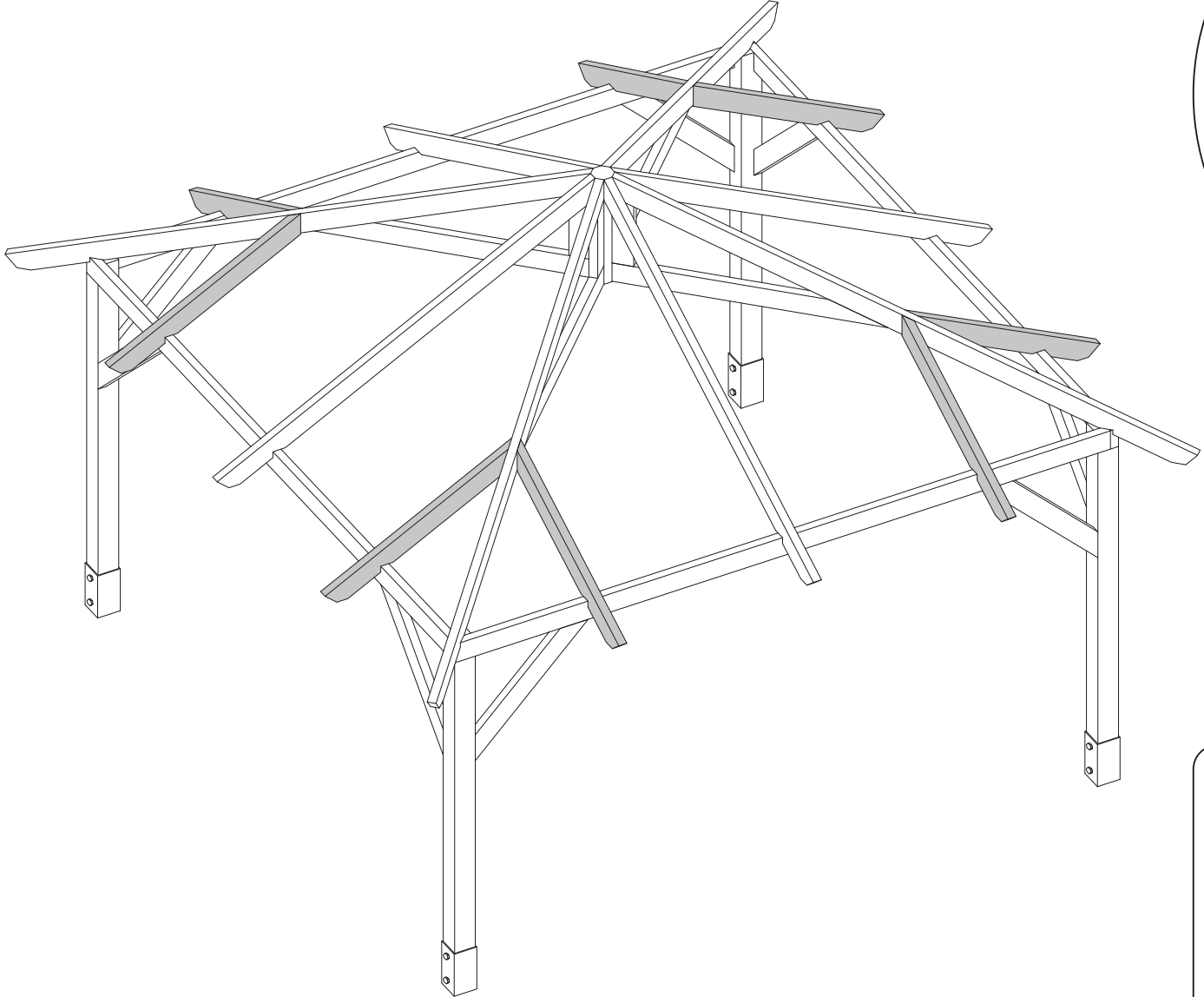


x4
W2 (6x140)

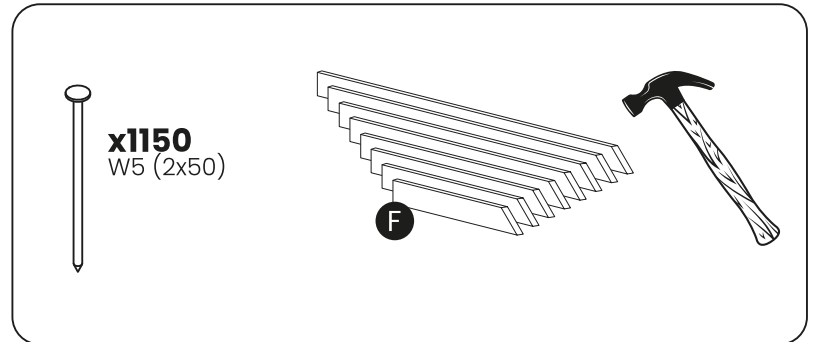
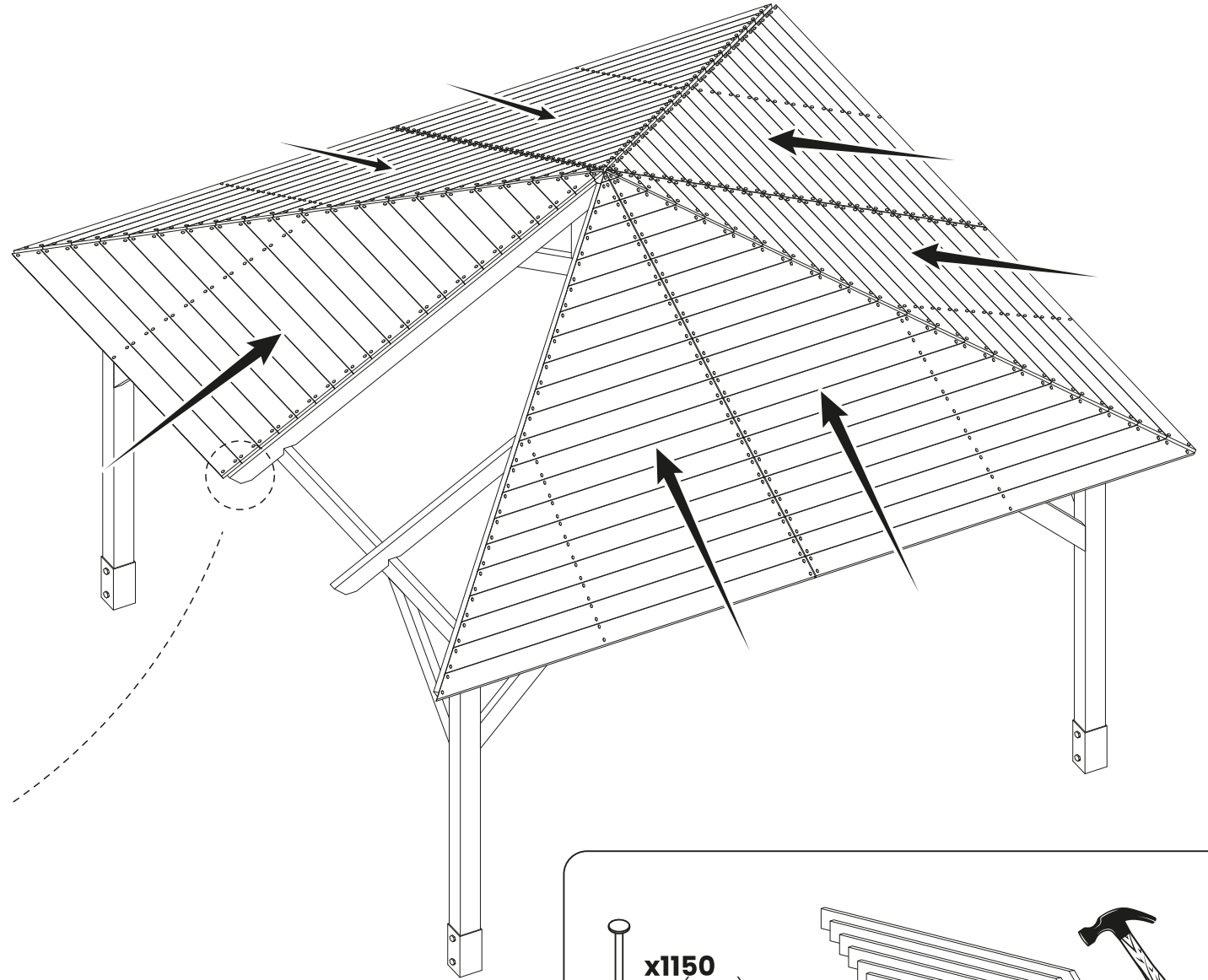
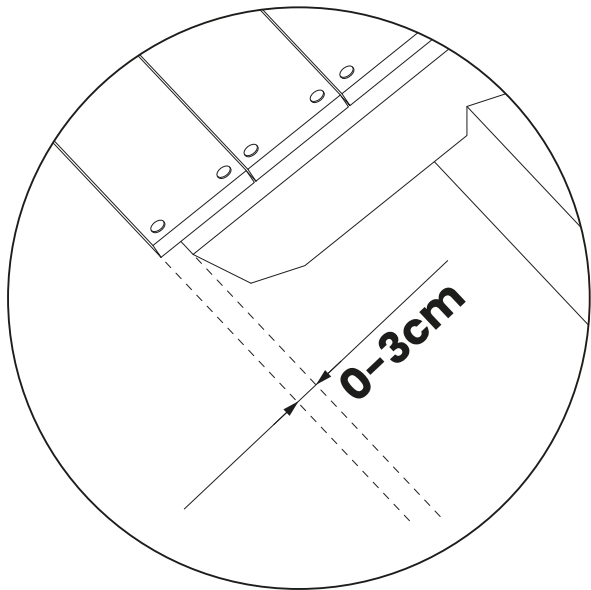
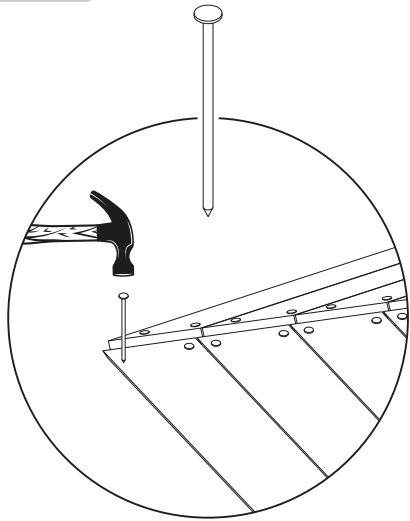


x8
W2 (6x140)

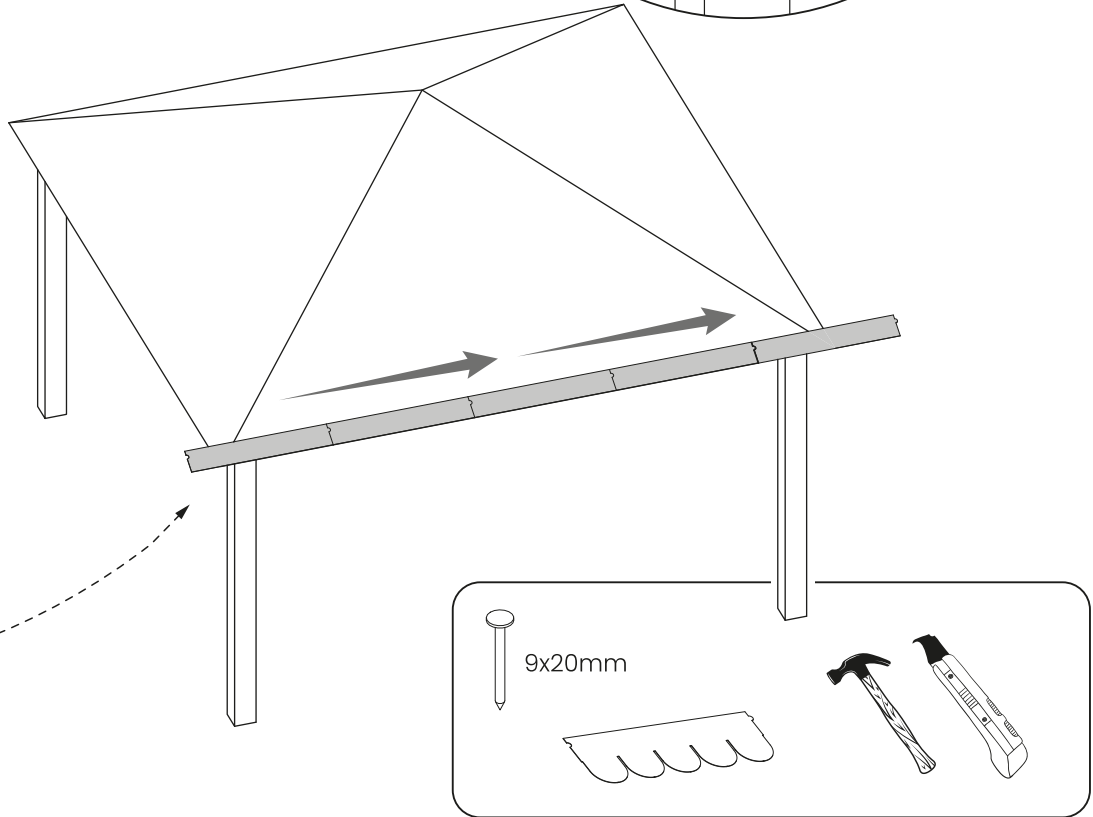
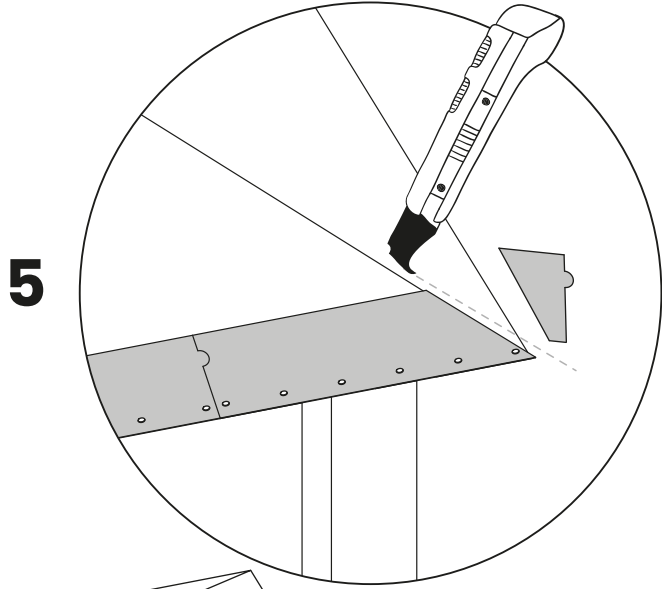
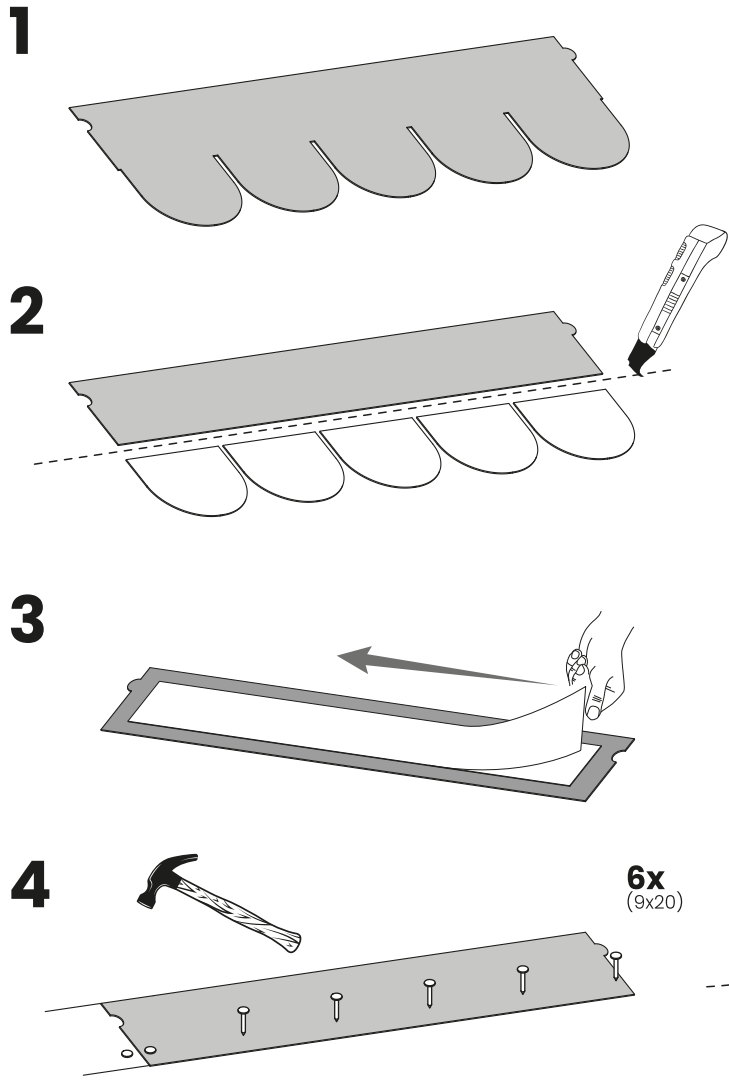


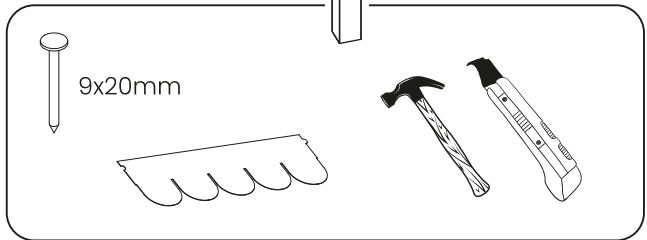
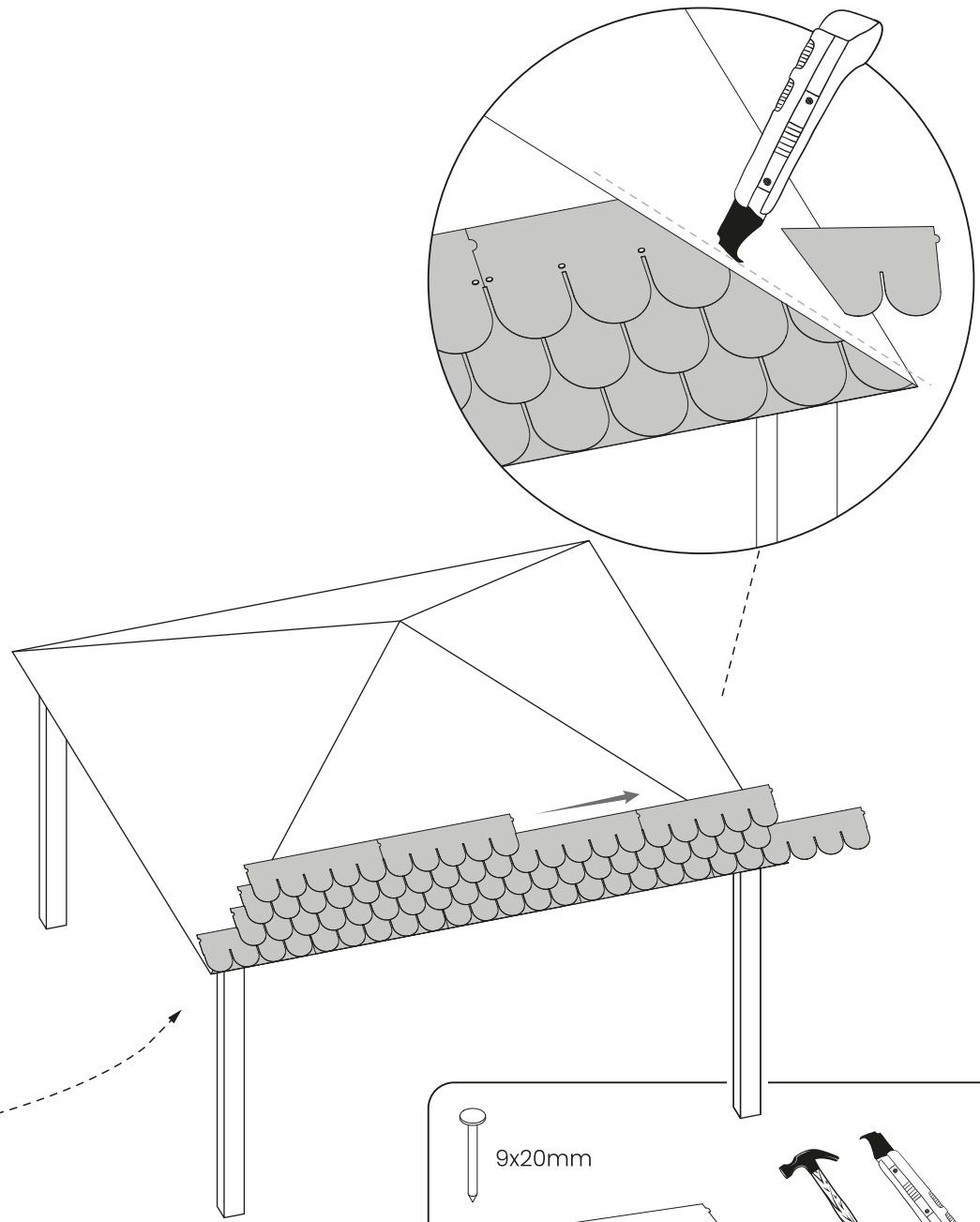
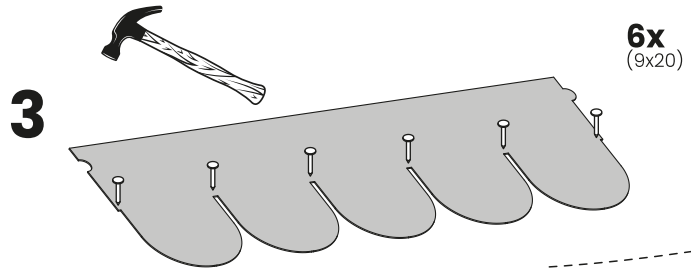
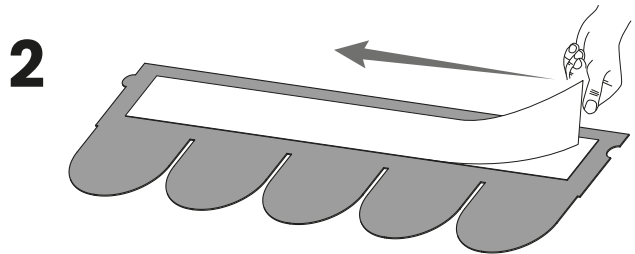
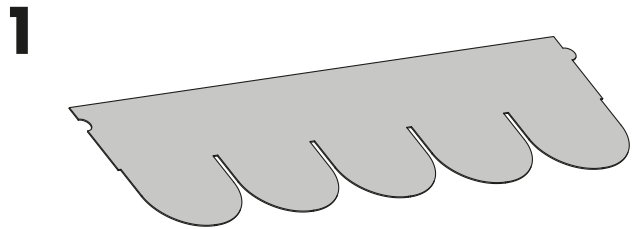


13

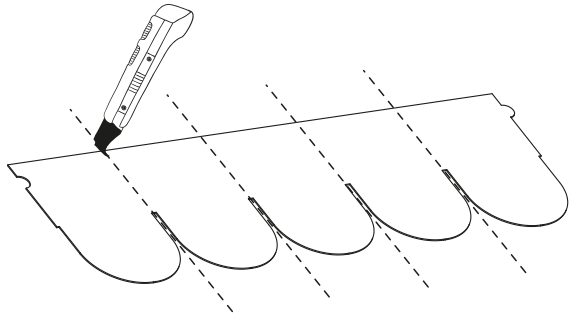


14

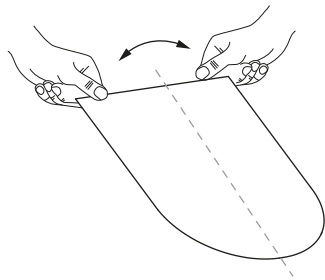




1



2



3

