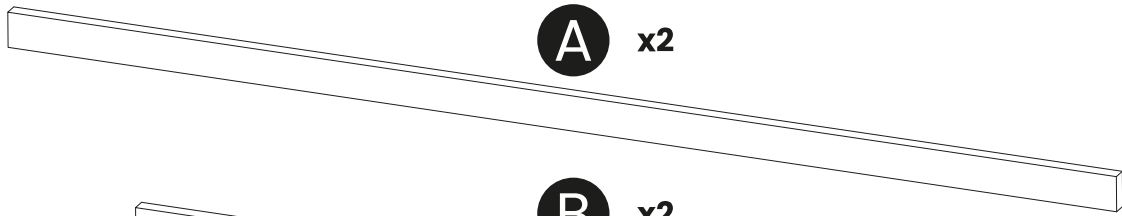
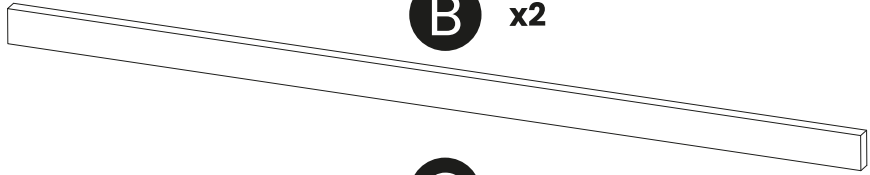


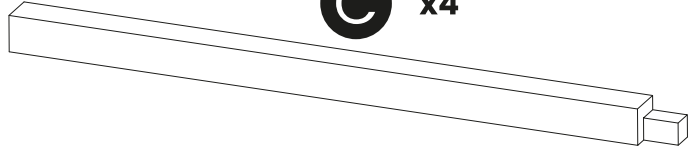
**400x300cm**



**A** x2



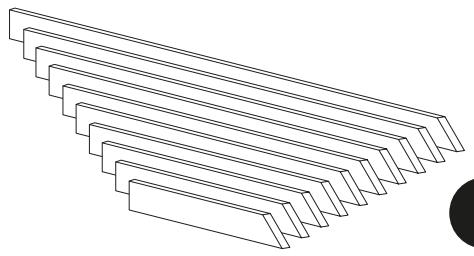
**B** x2



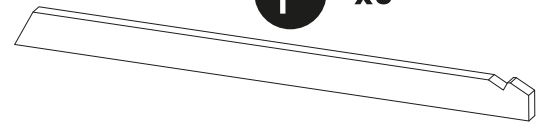
**C** x4



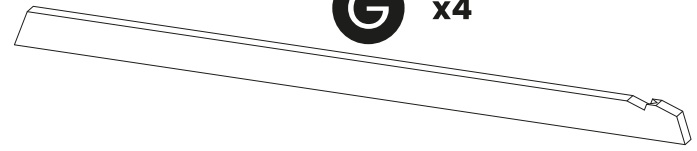
**D** x8



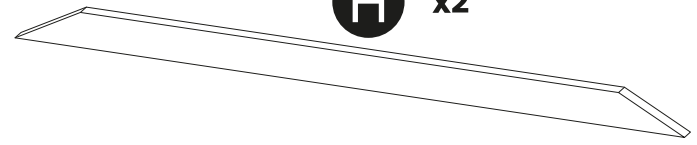
**E**



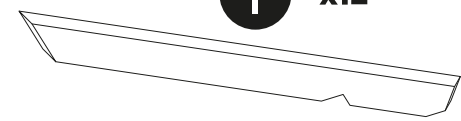
**F** x6



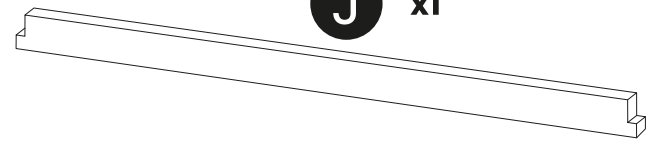
**G** x4



**H** x2



**I** x12



**J** x1

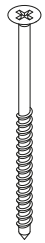
**x16**  
W1 (6x160)



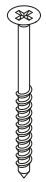
**x28**  
W2 (6x140)



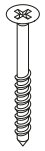
**x2**  
W6 (6x120)



**x16**  
W4 (6x100)



**x24**  
W3 (6x80)



**x1250**  
W5 (2x50)



**K** x2



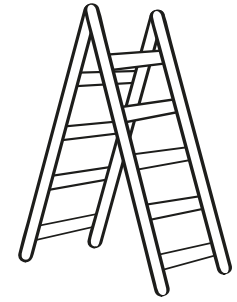
x2



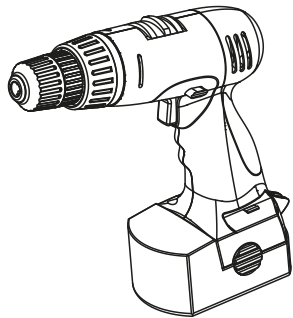
x1



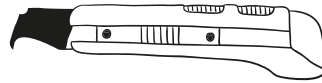
x1



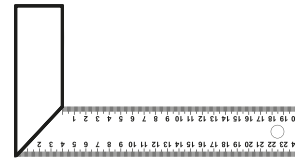
x2



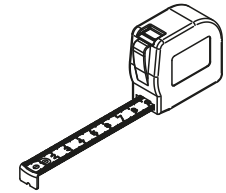
x1



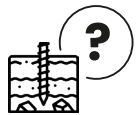
x2



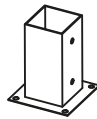
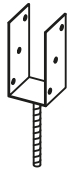
x1



x1

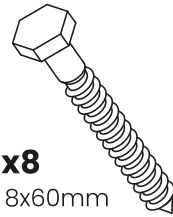


x4



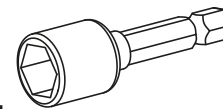
x8

8x60mm

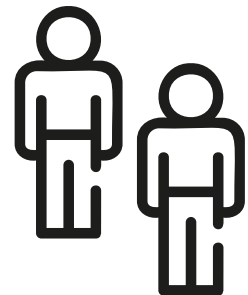
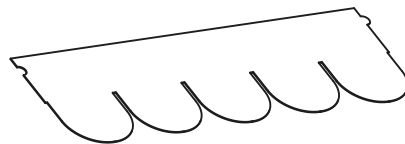
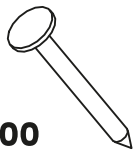


x1

●13

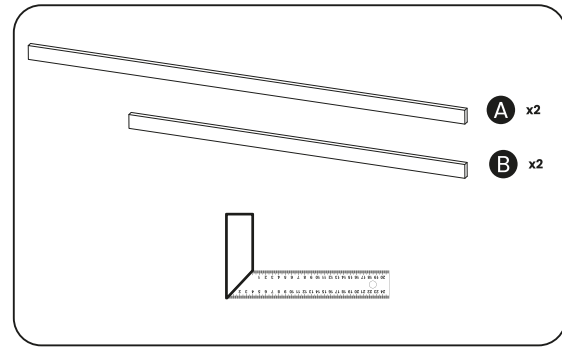
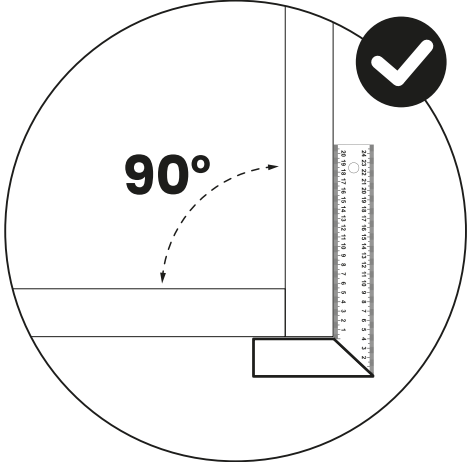
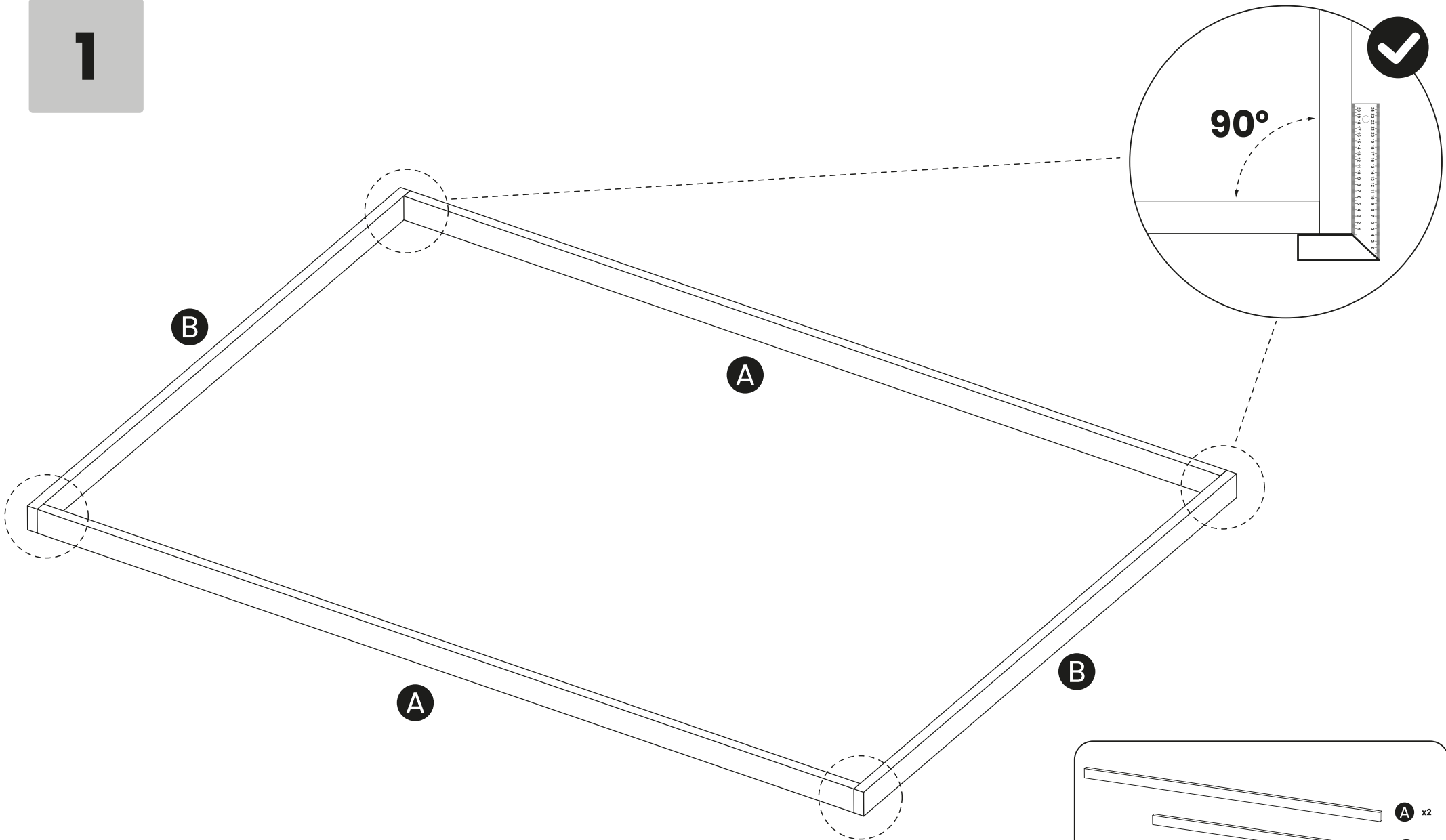


x1500  
9x20mm

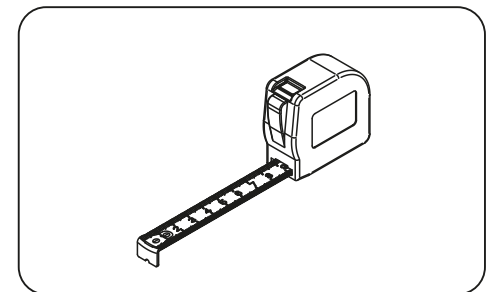
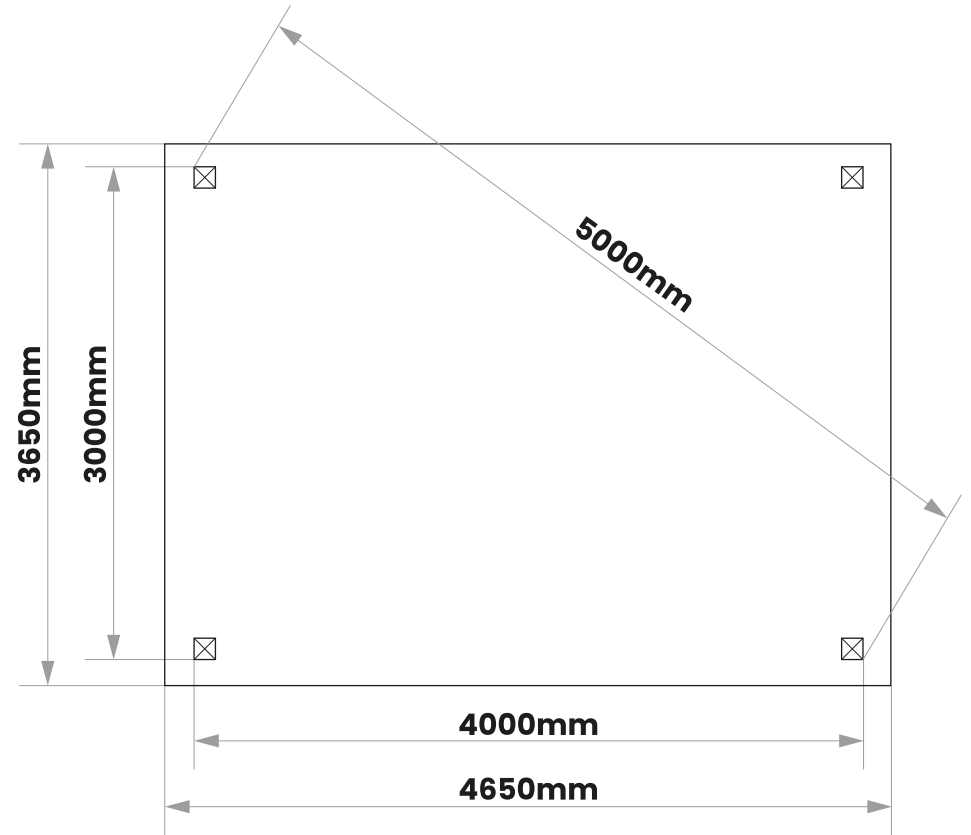
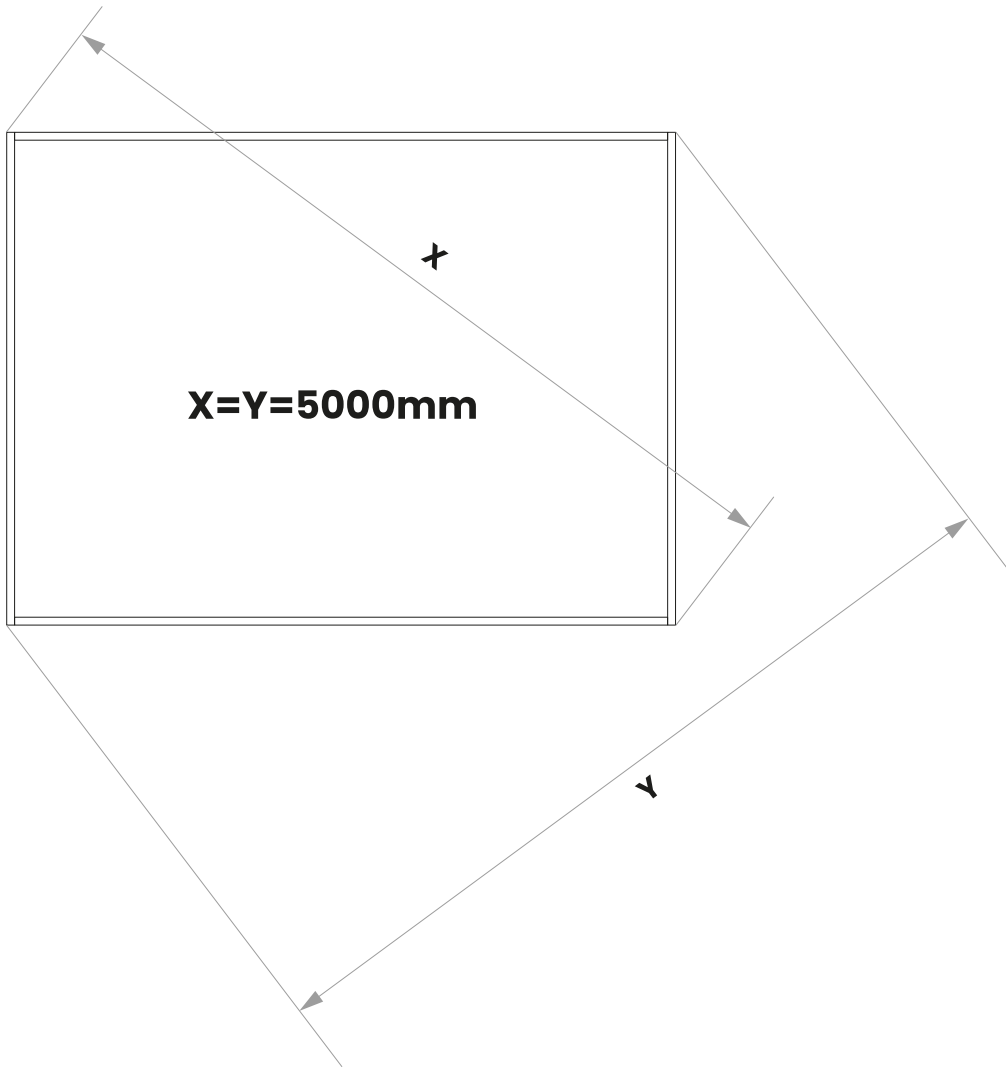


x2

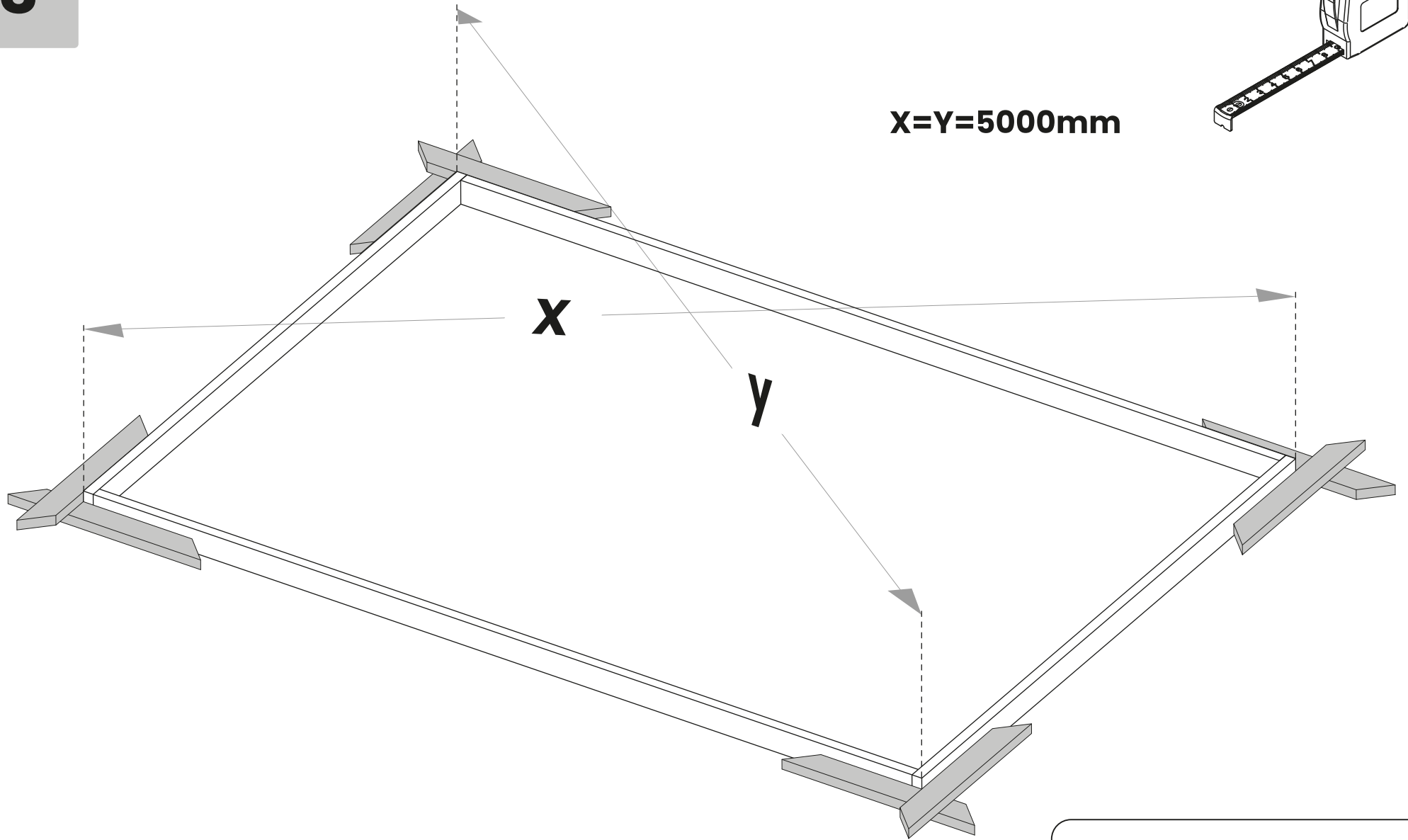
**1**



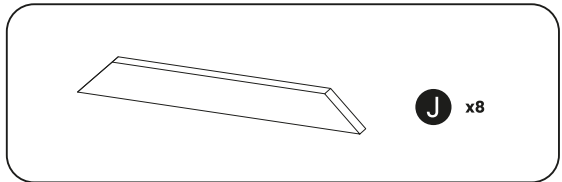
**2**



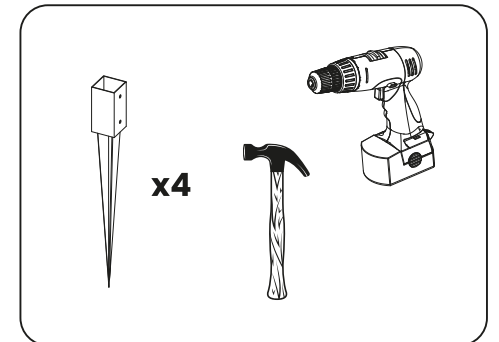
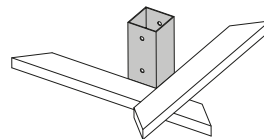
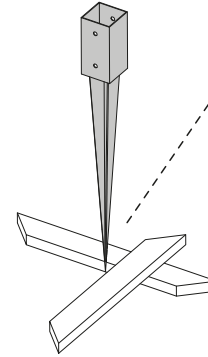
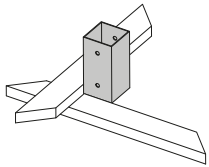
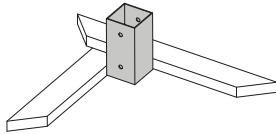
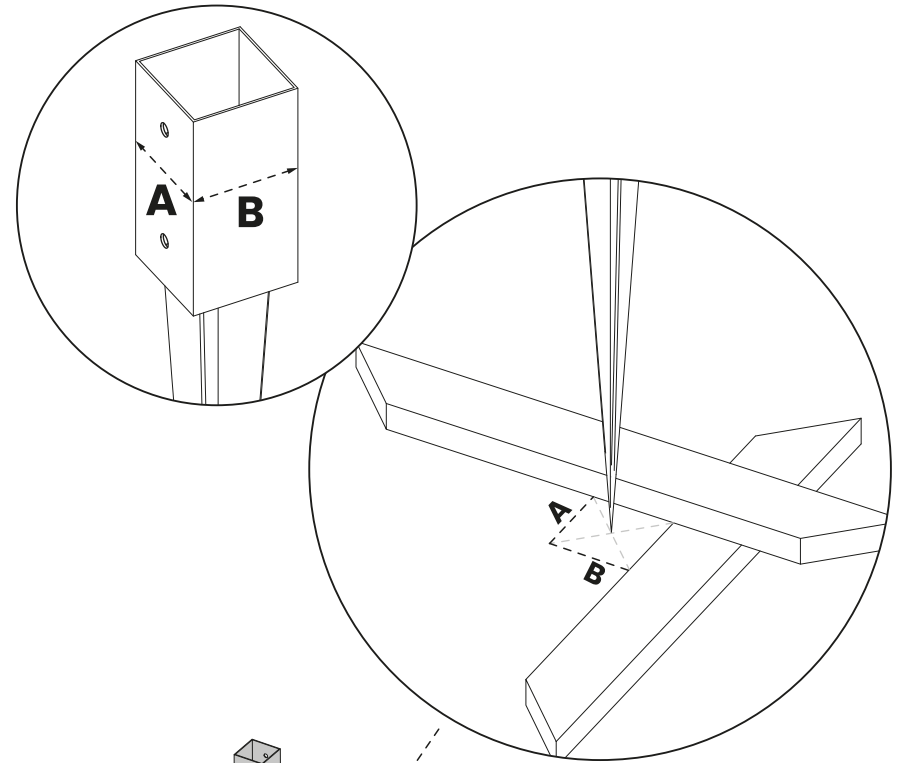
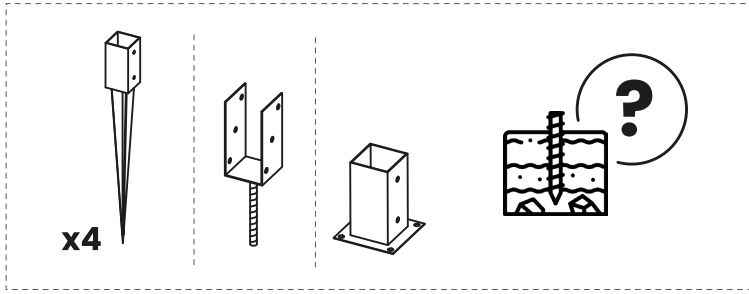
3



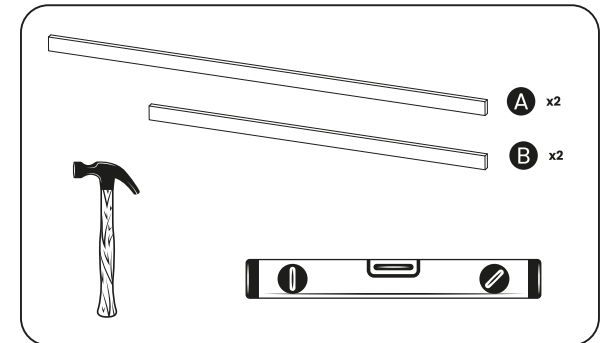
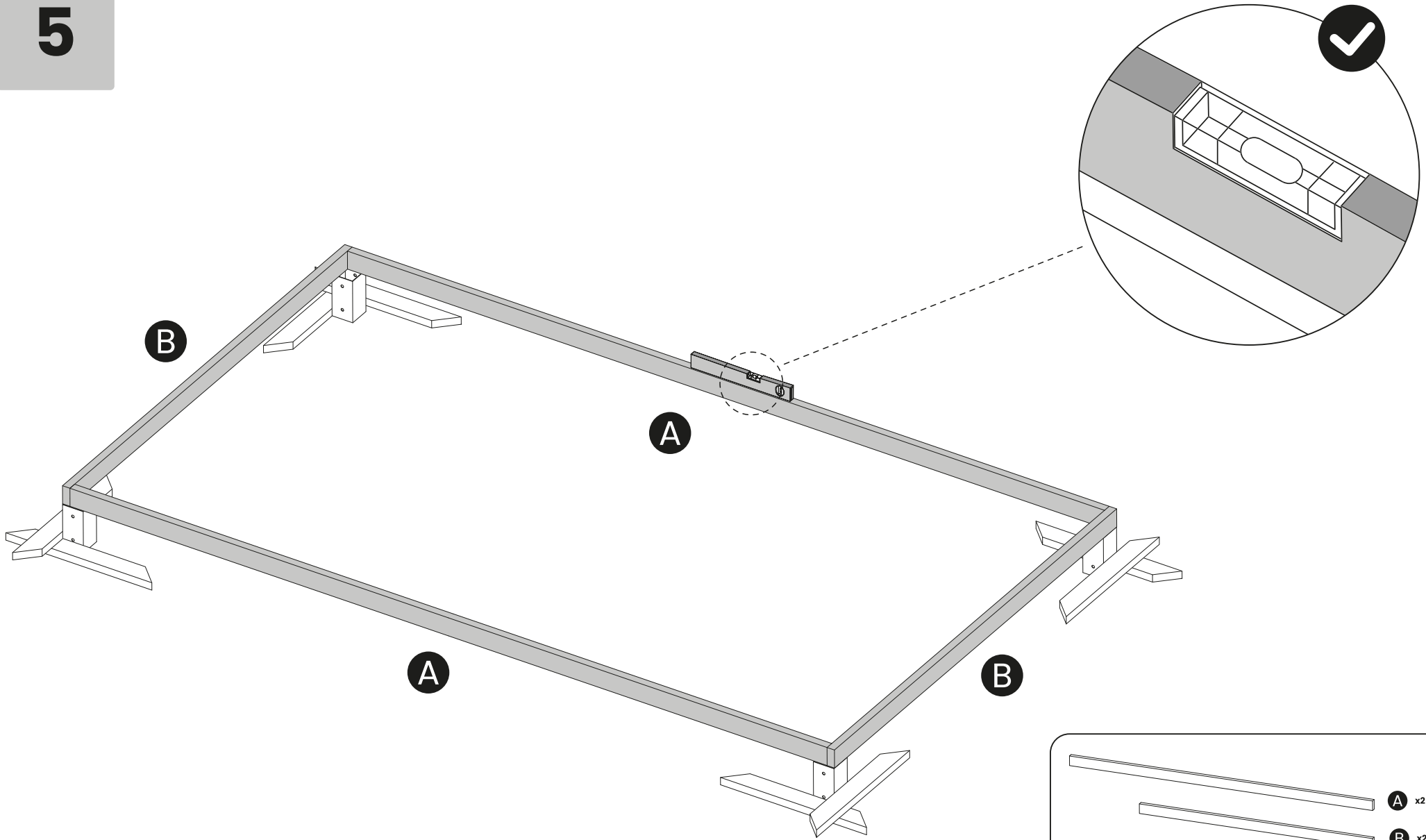
$X=Y=5000\text{mm}$



4

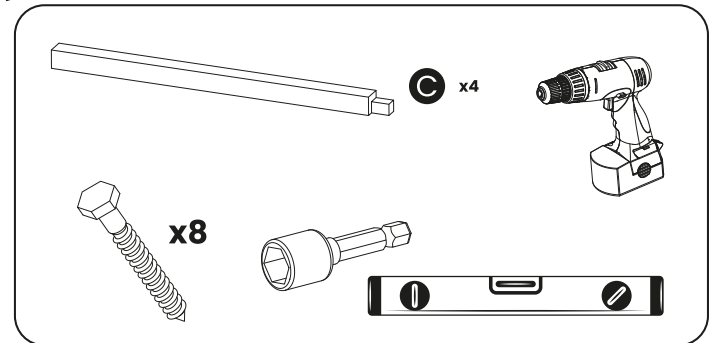
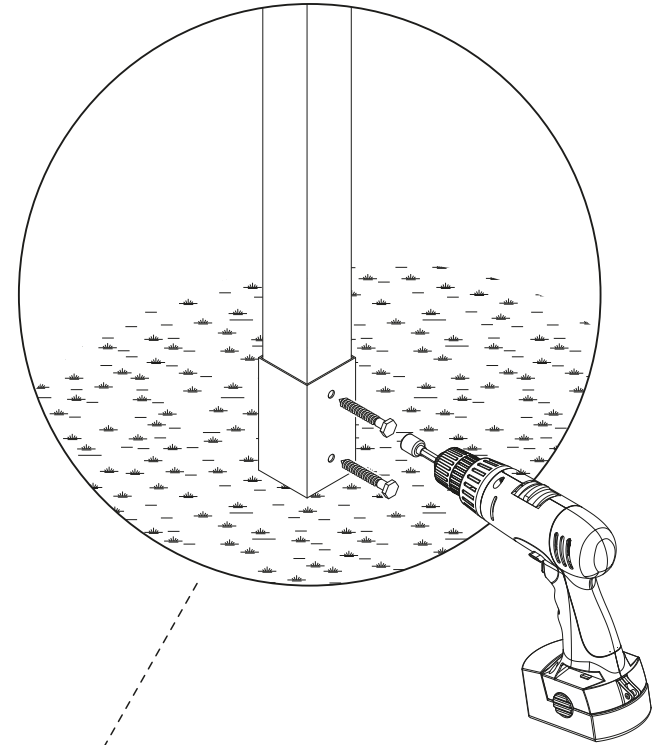
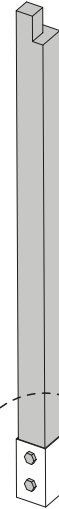
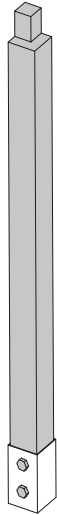
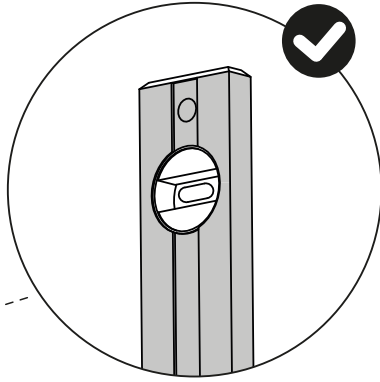
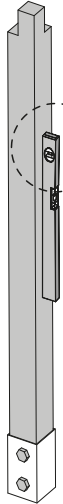
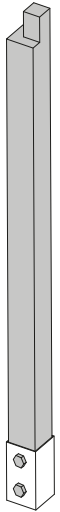


5

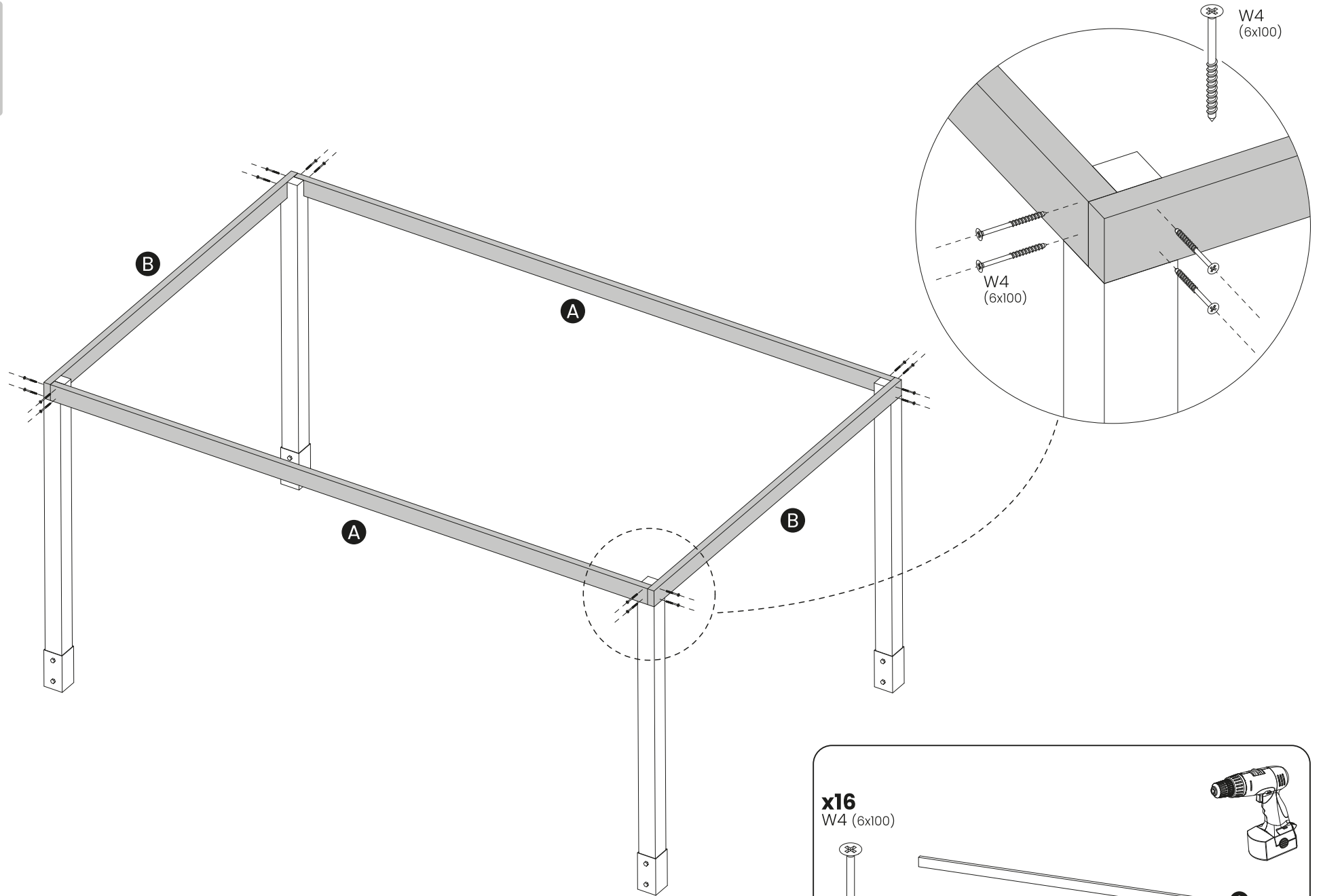




6



7

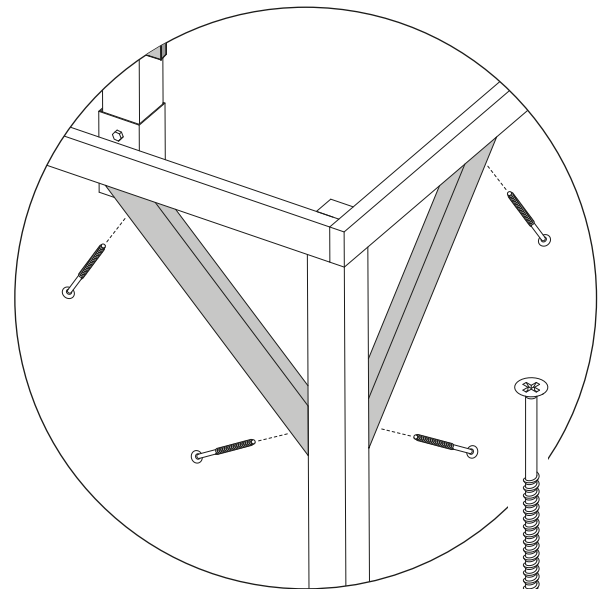
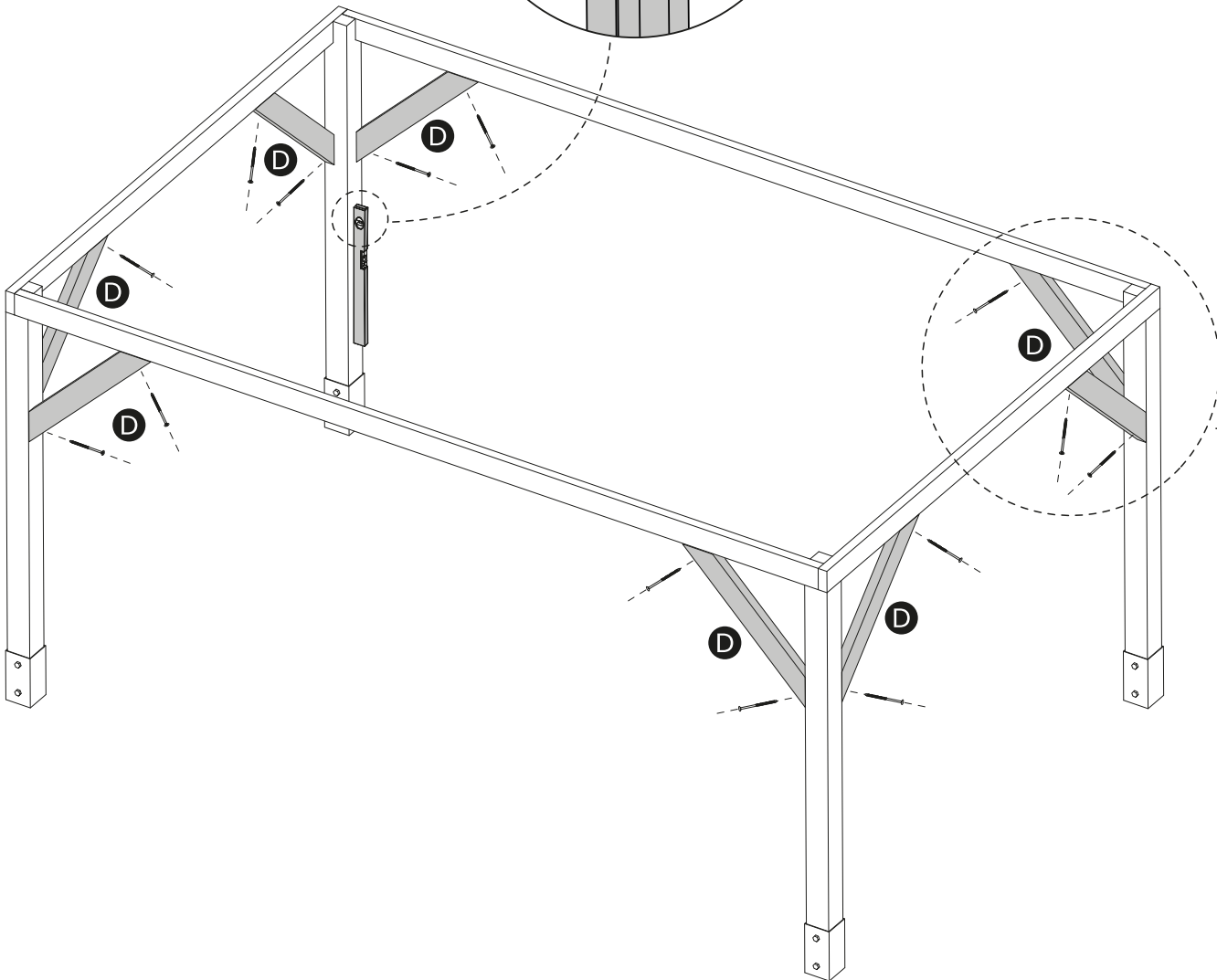
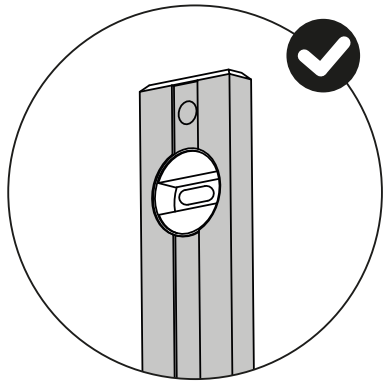


**x16**  
W4 (6x100)

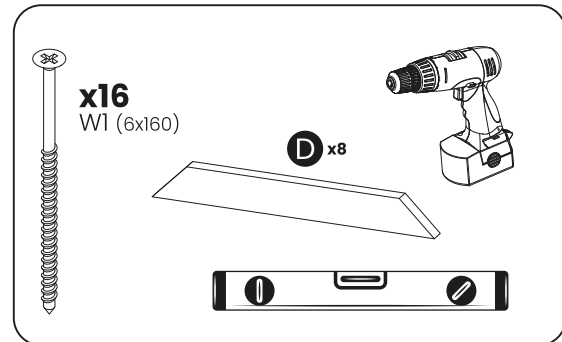
**A** x2  
**B** x2

This block contains the parts list for step 7. It includes a quantity of 16 screws labeled 'W4 (6x100)'. There is an icon of a power drill. Below the screws are two long beams, labeled 'A' and 'B', with quantities of 2 each.

8



W1 (6x160)



9

x2

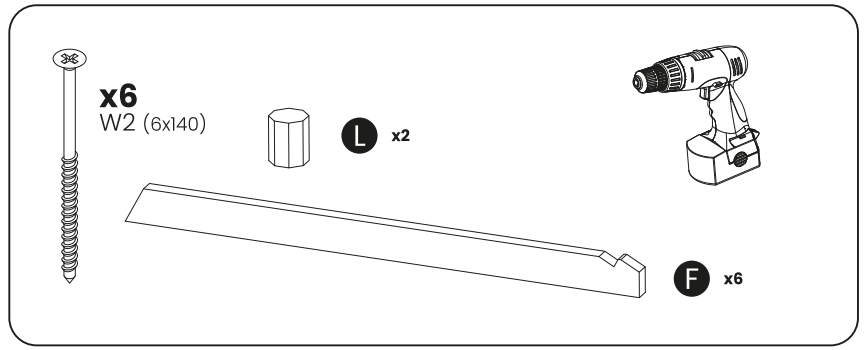
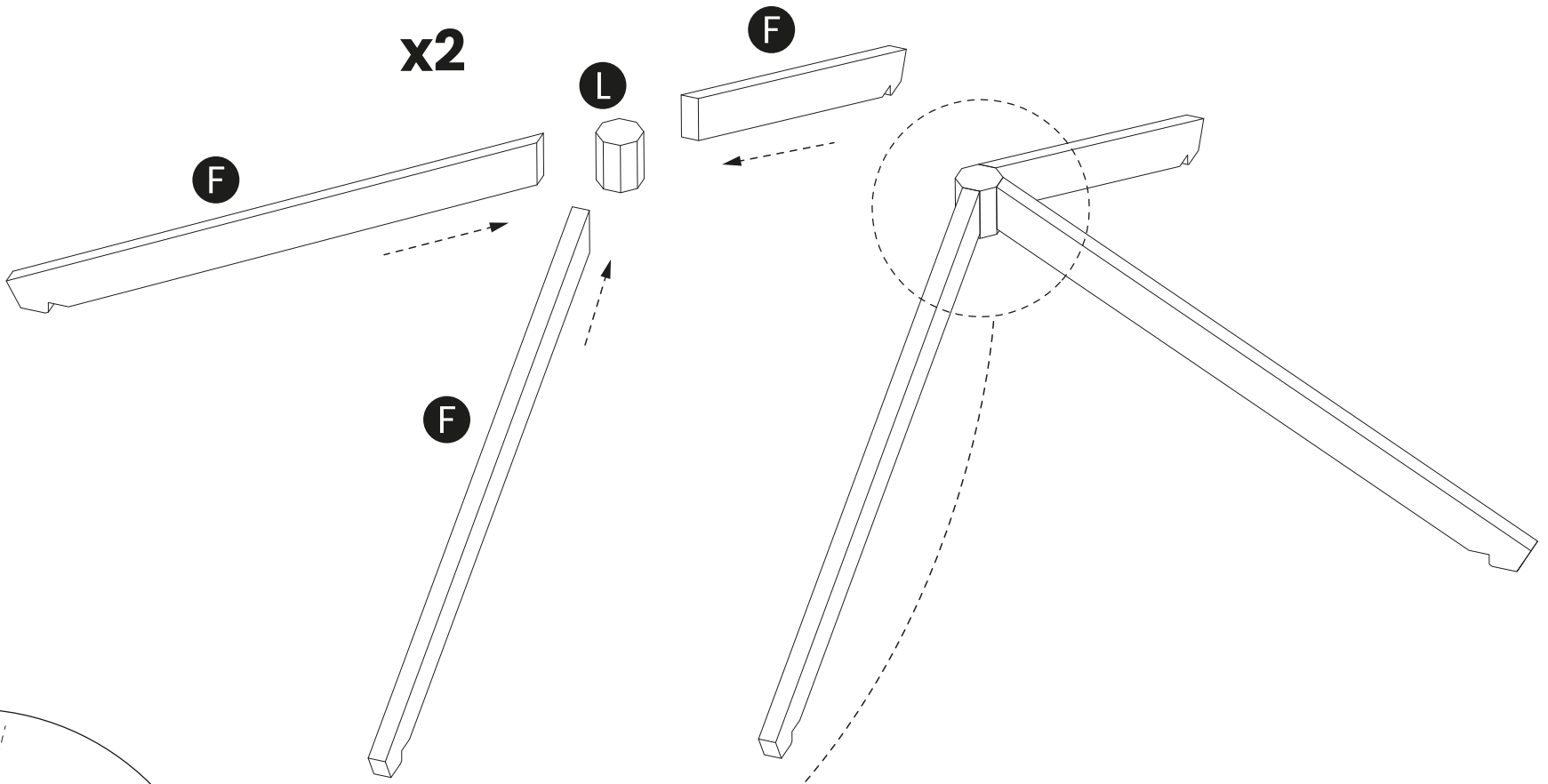
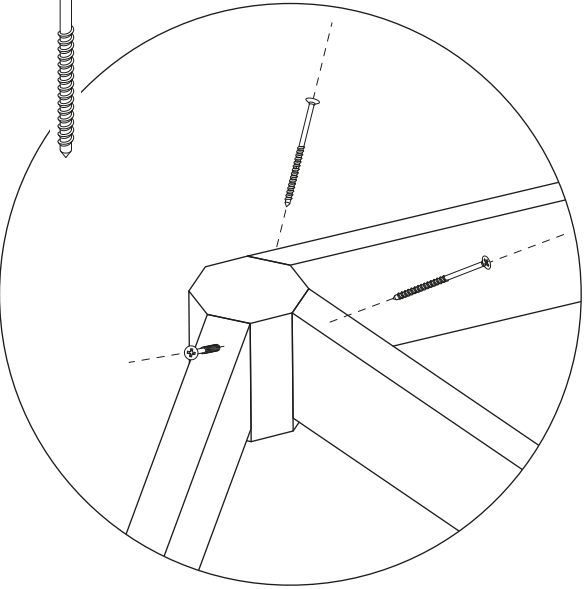
F

L

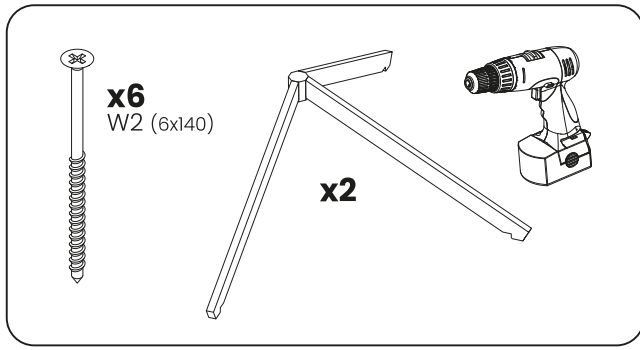
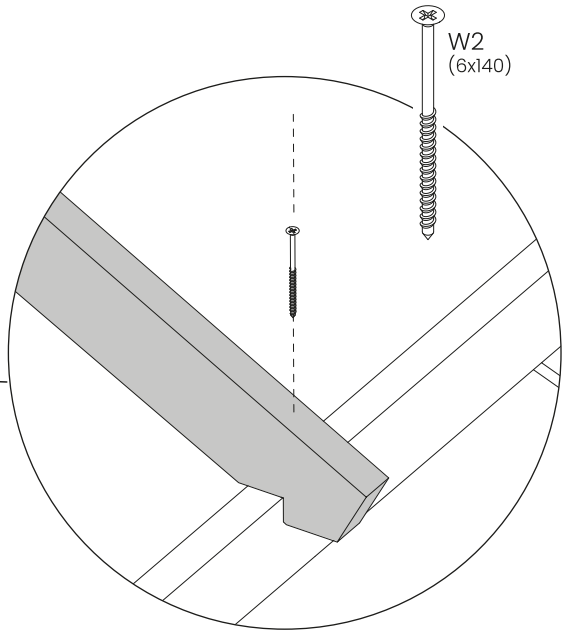
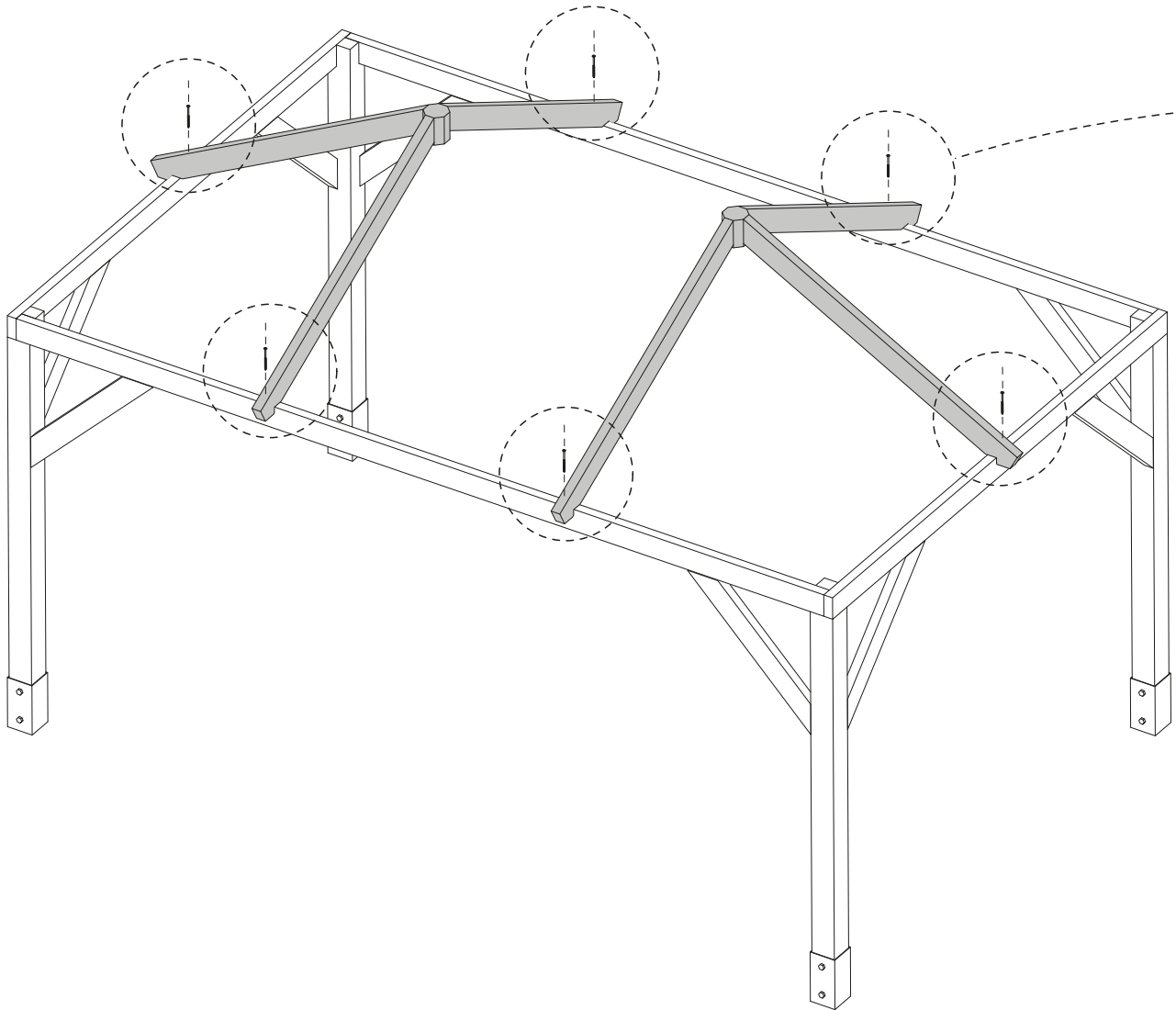
F

F

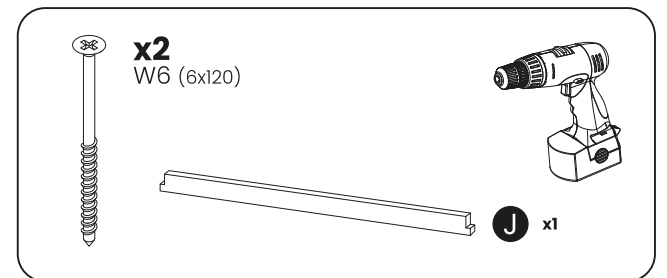
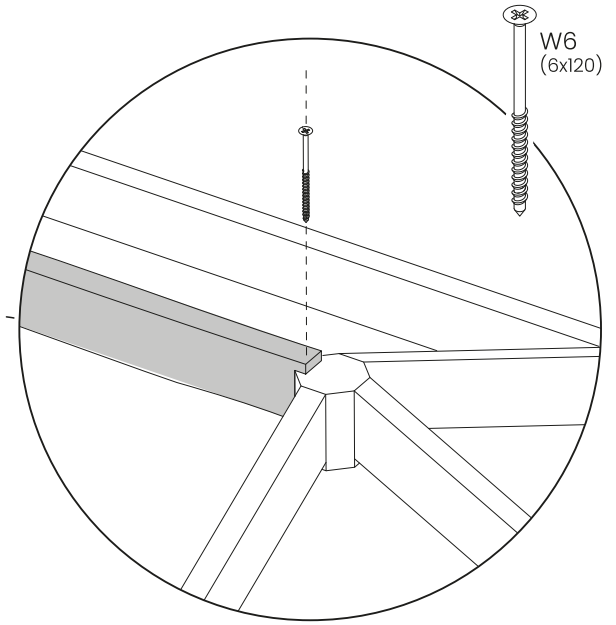
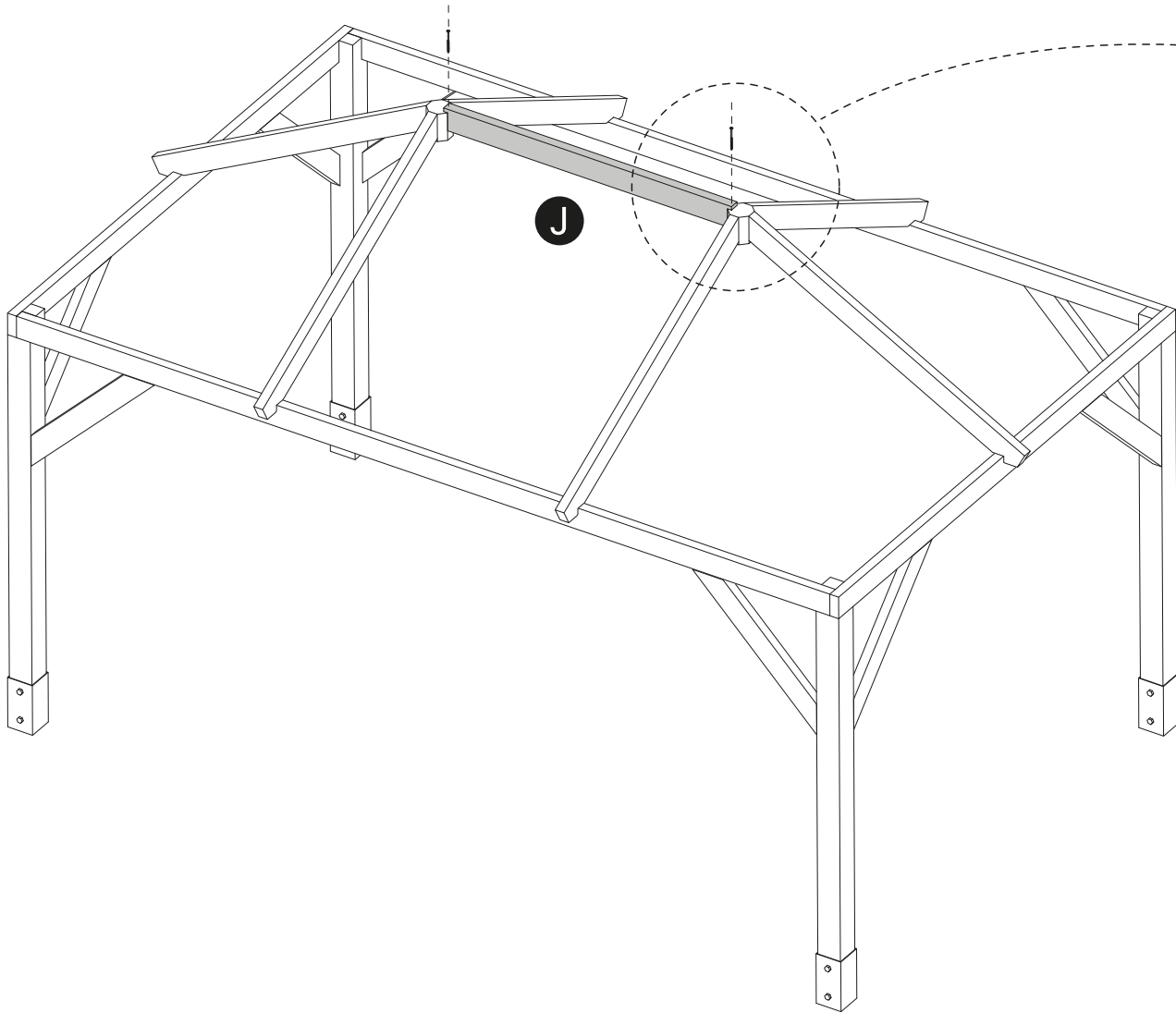
W2 (6x140)



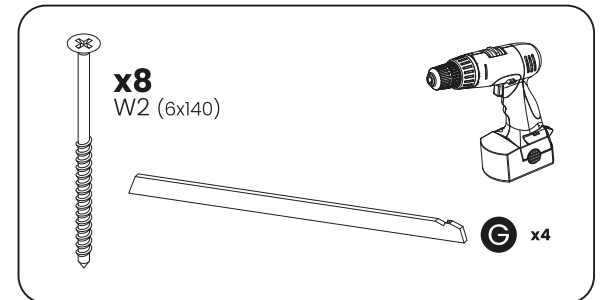
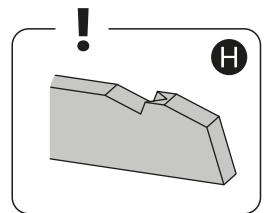
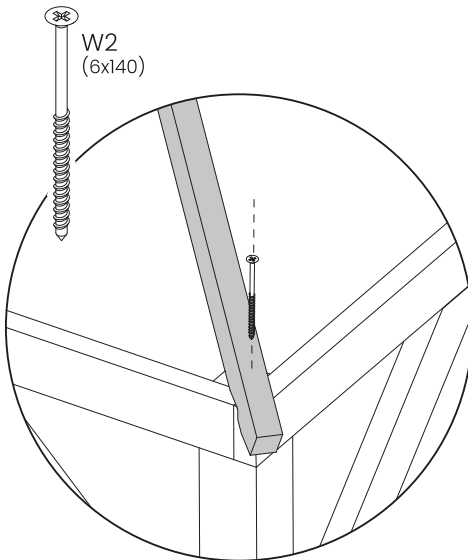
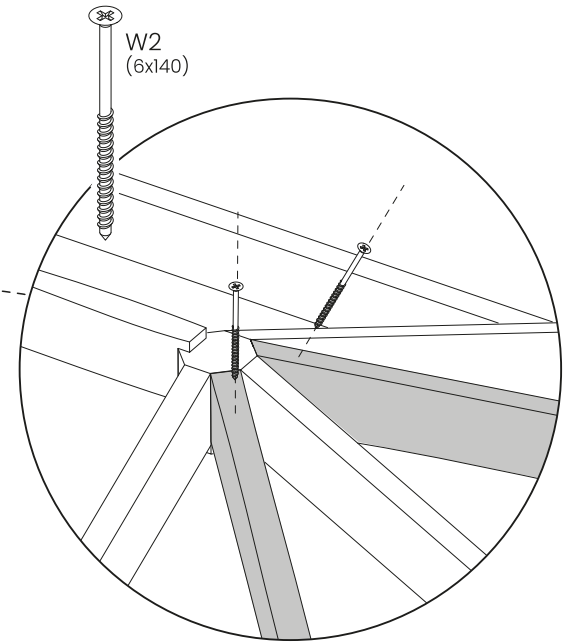
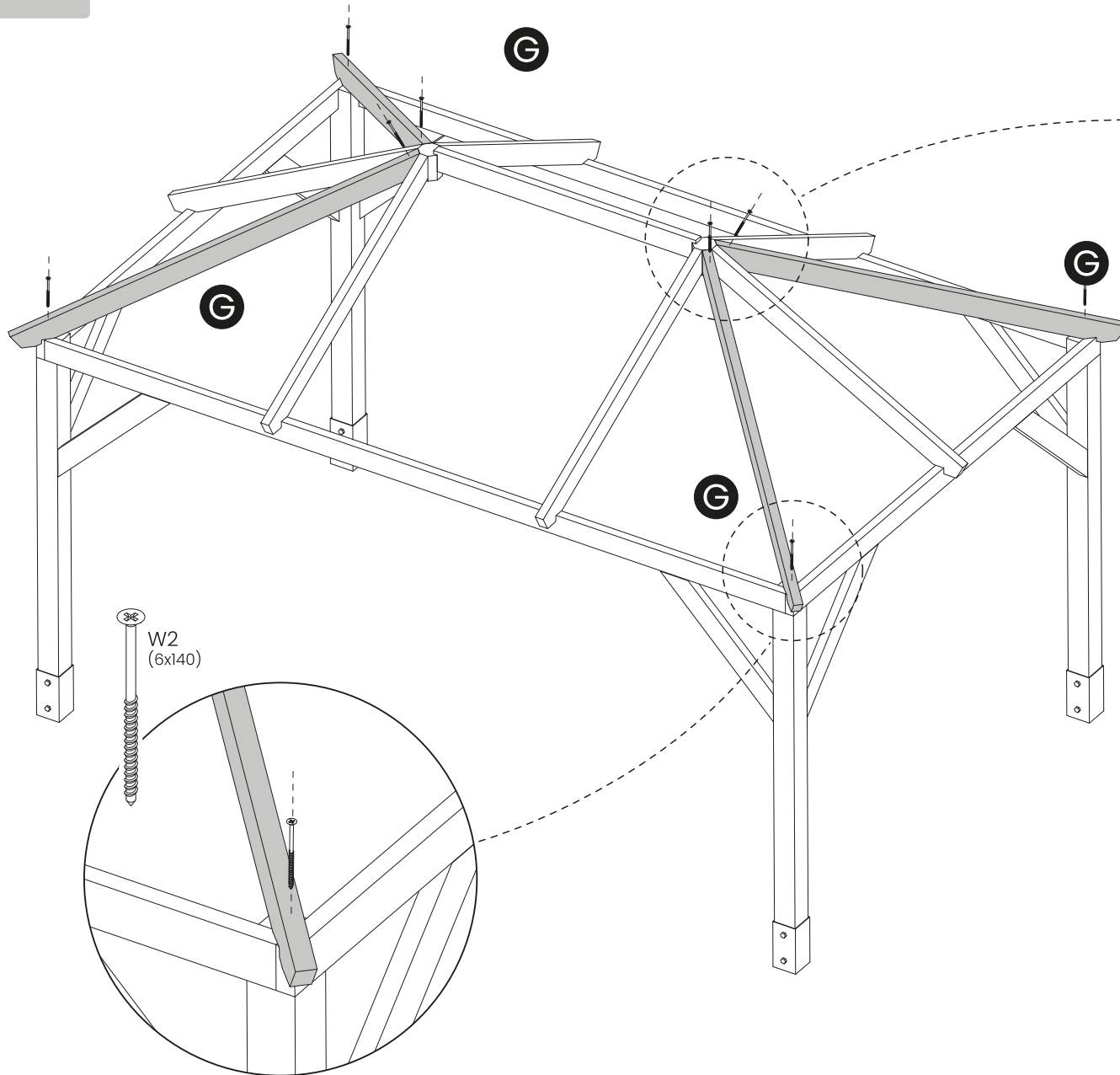
10



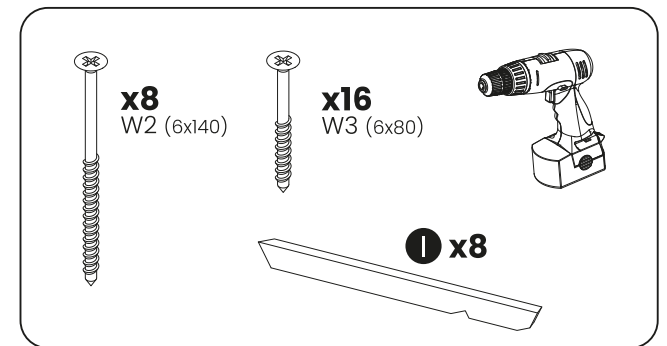
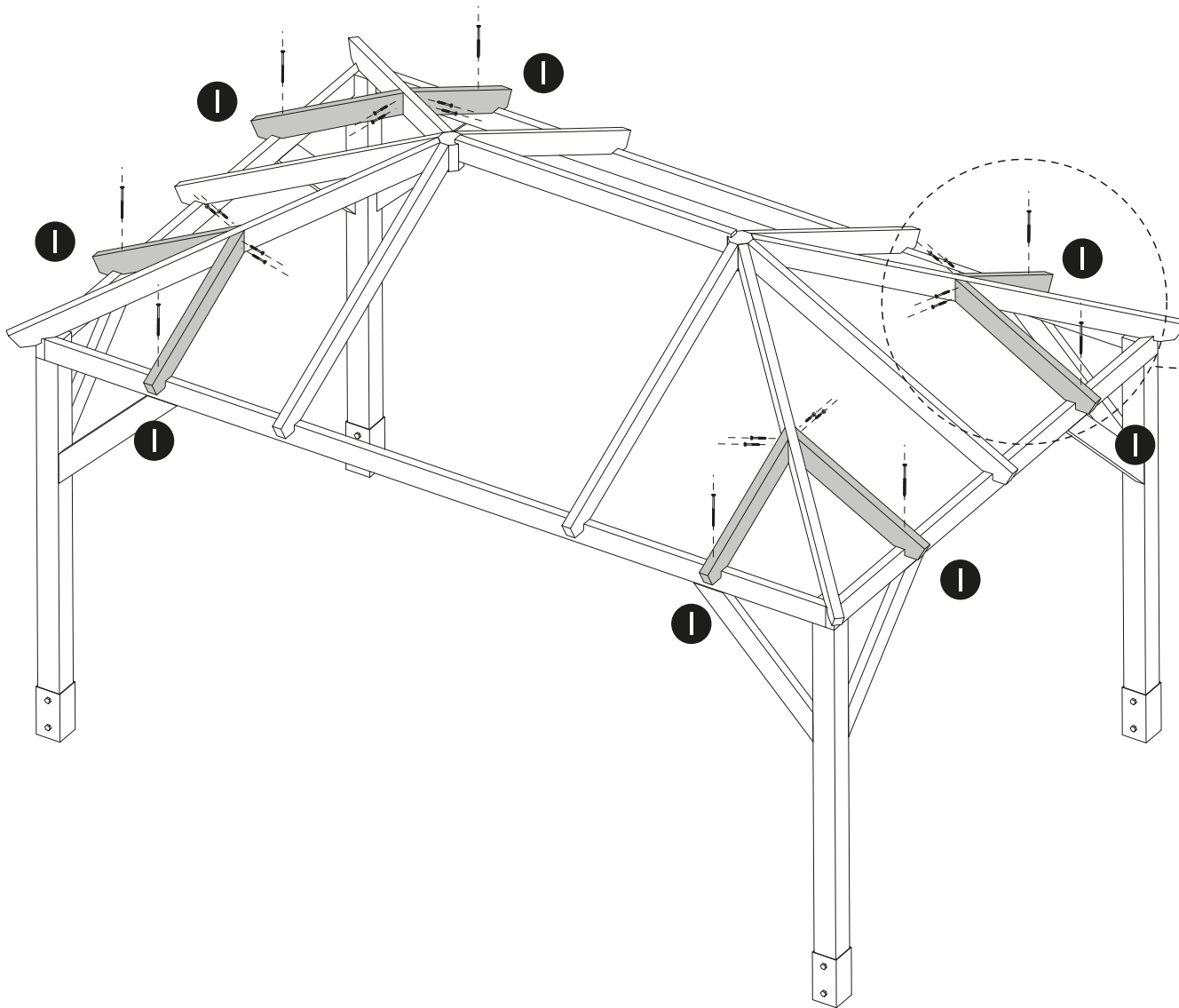
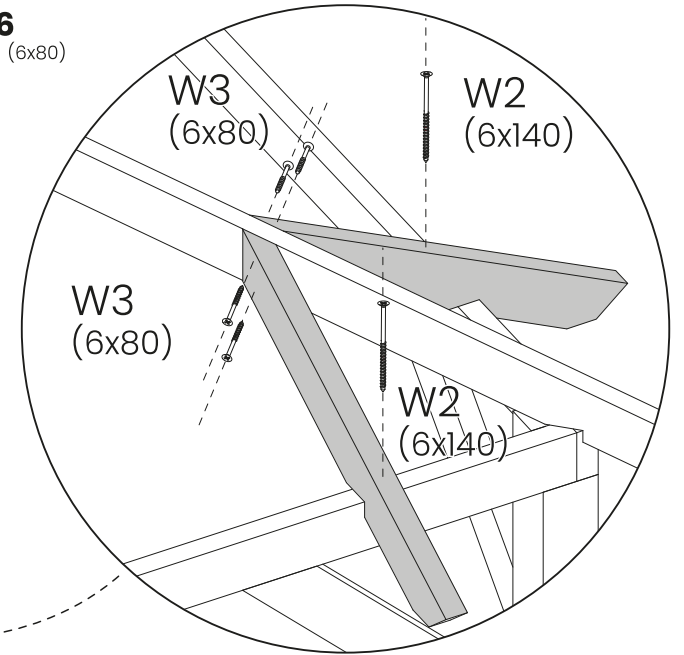
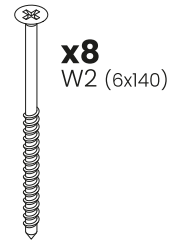
11



12

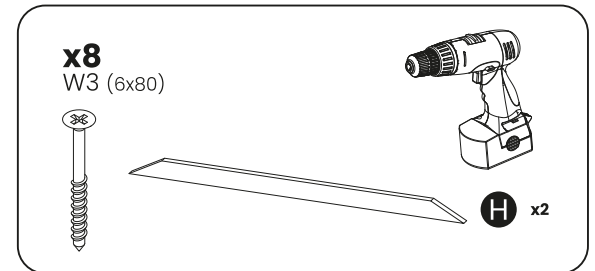
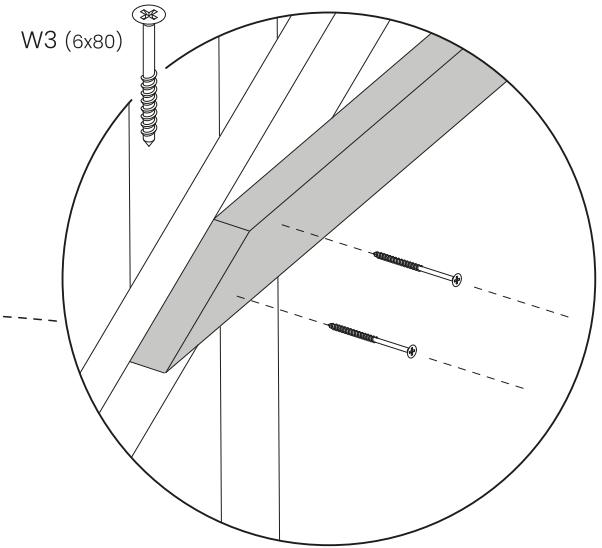
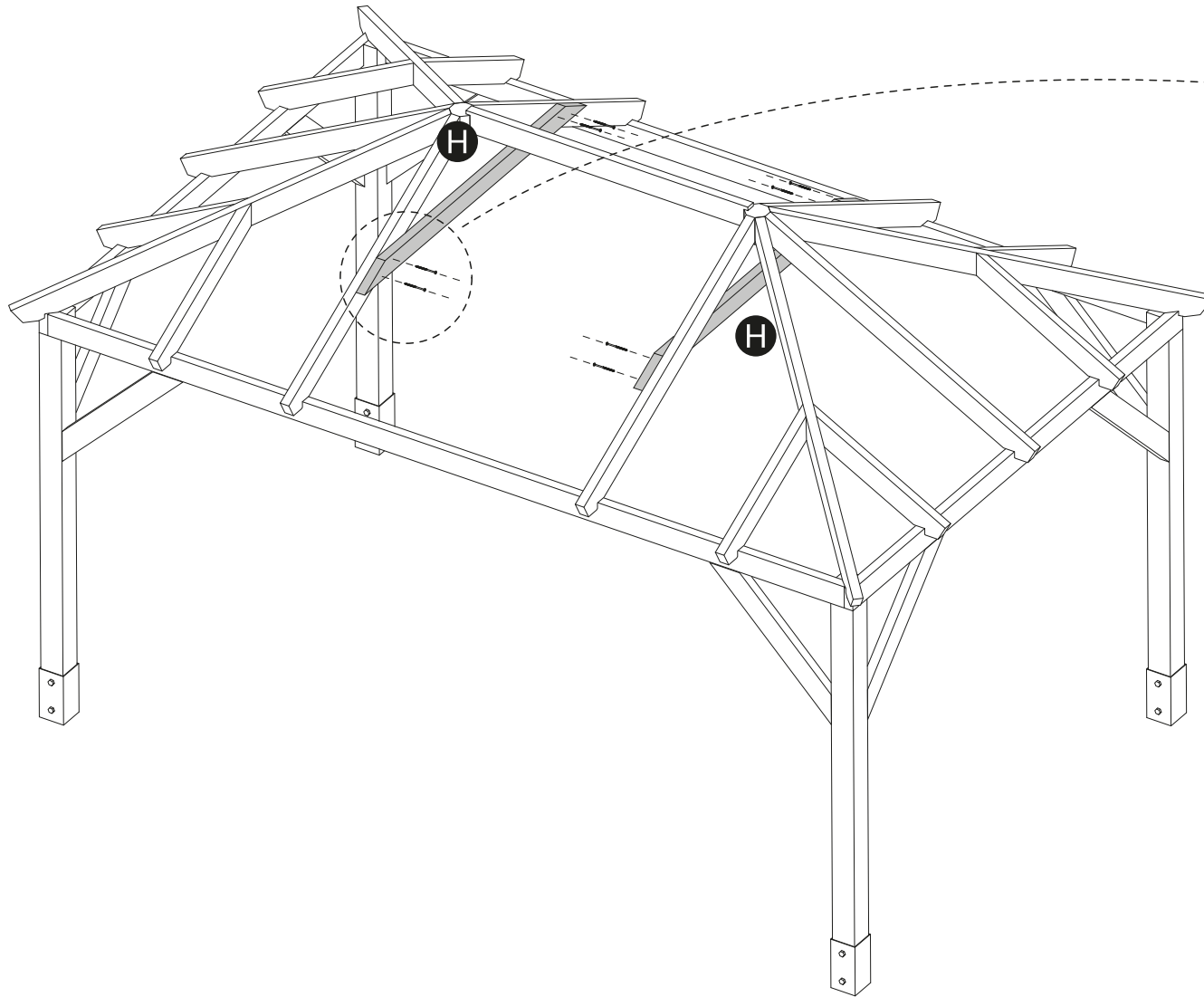


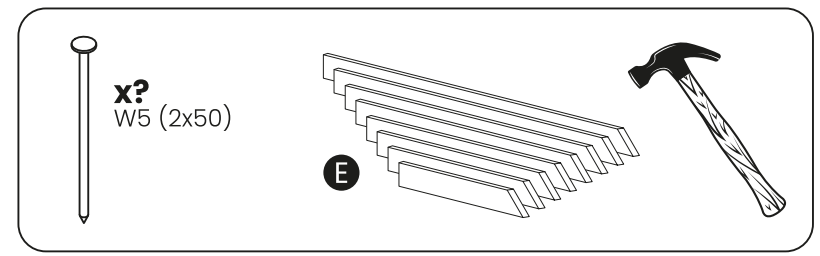
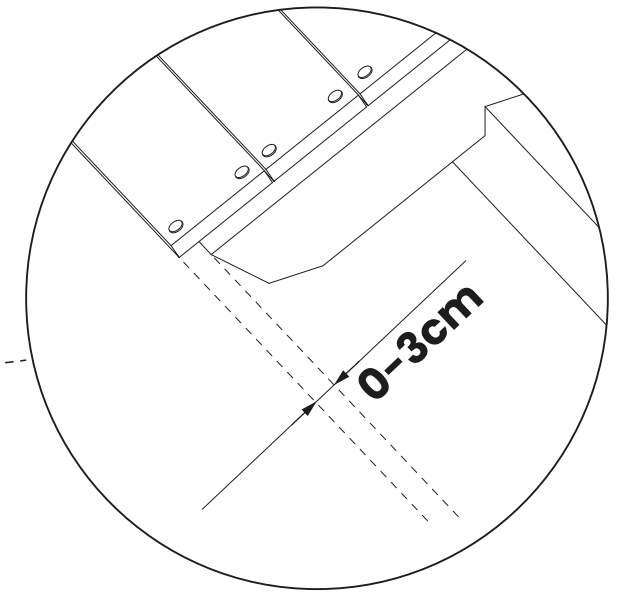
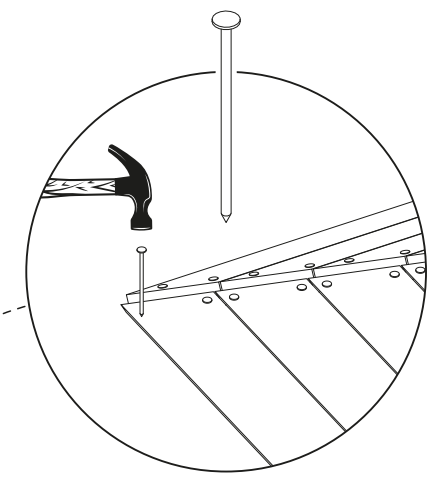
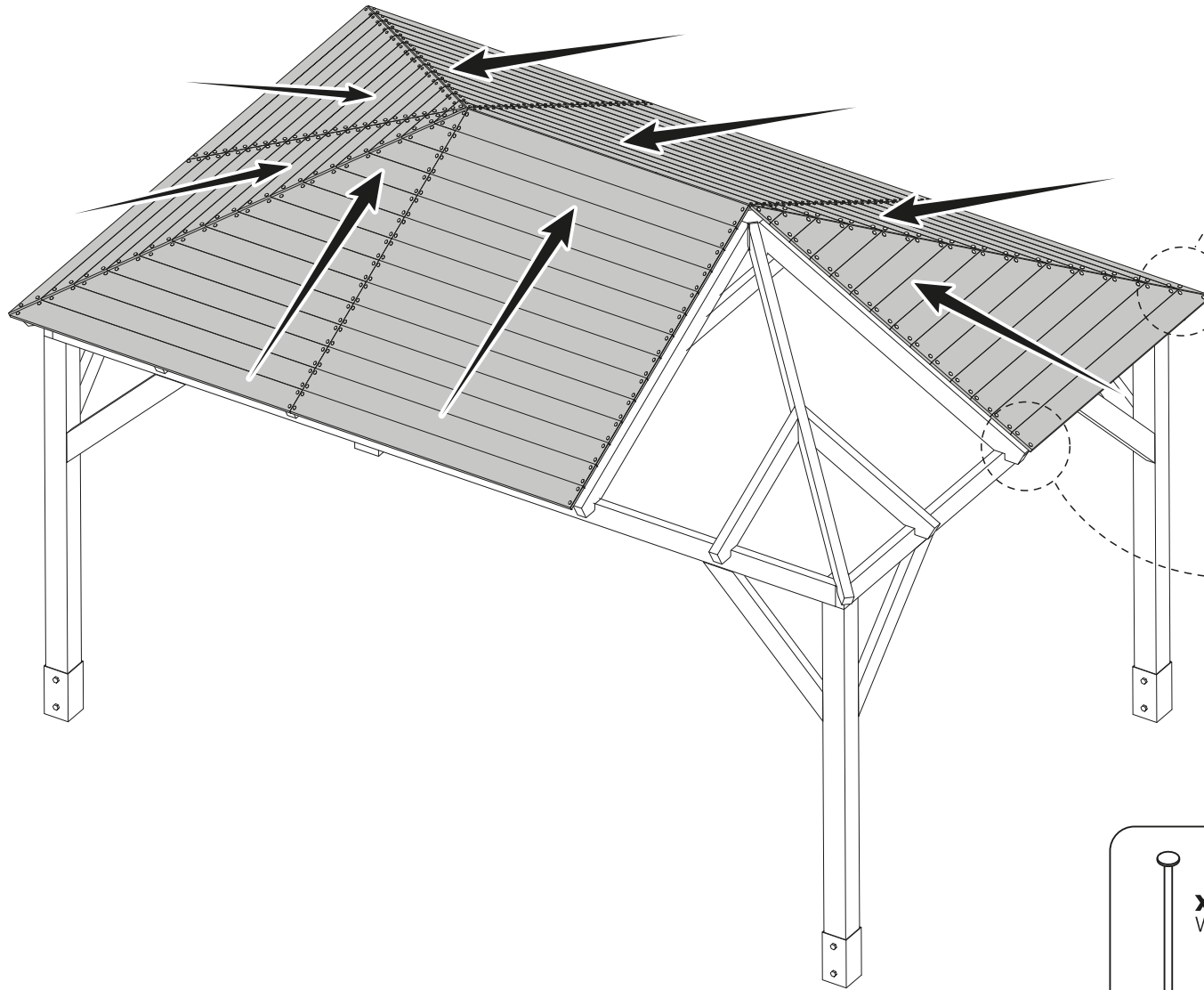
# 13



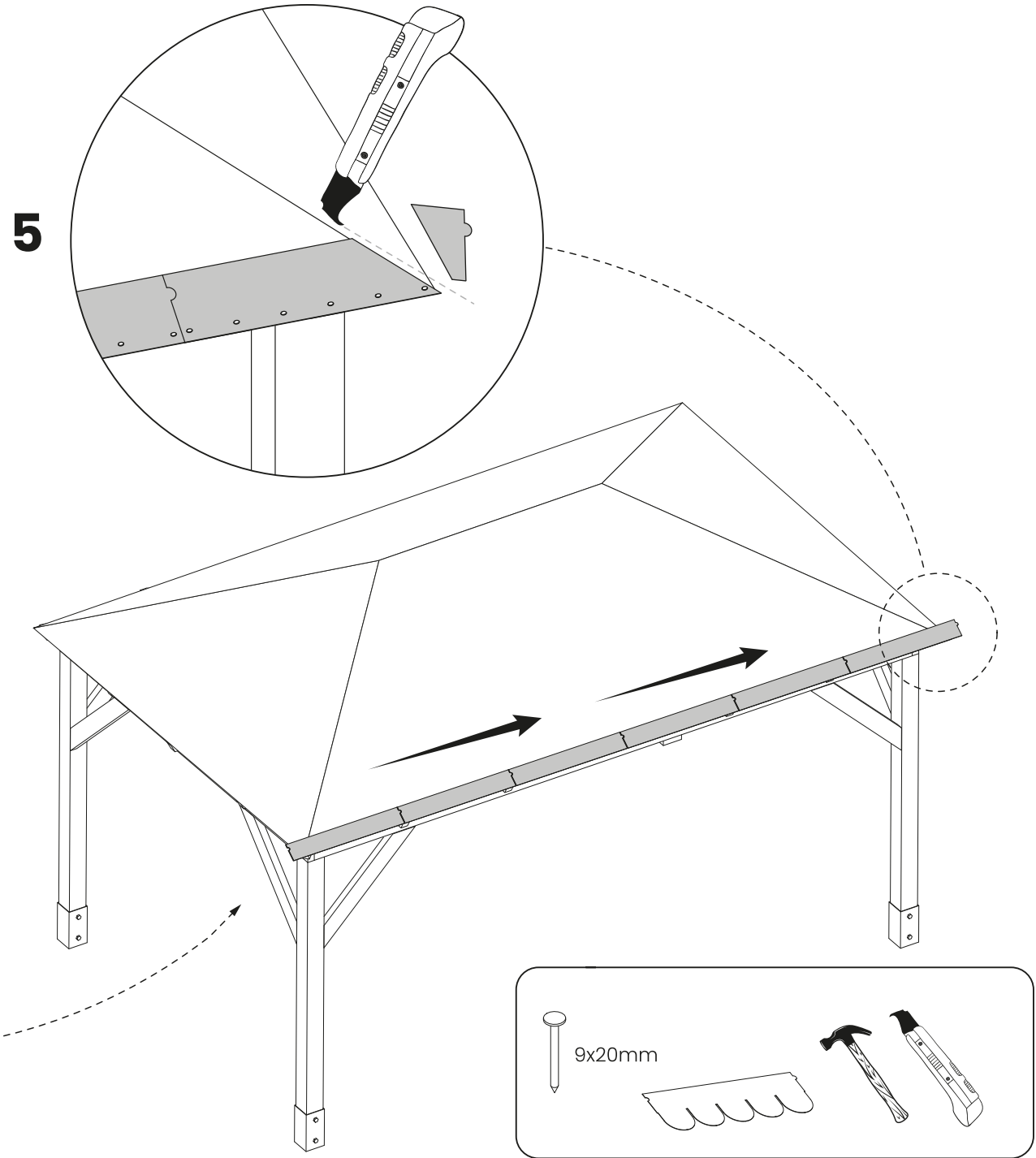
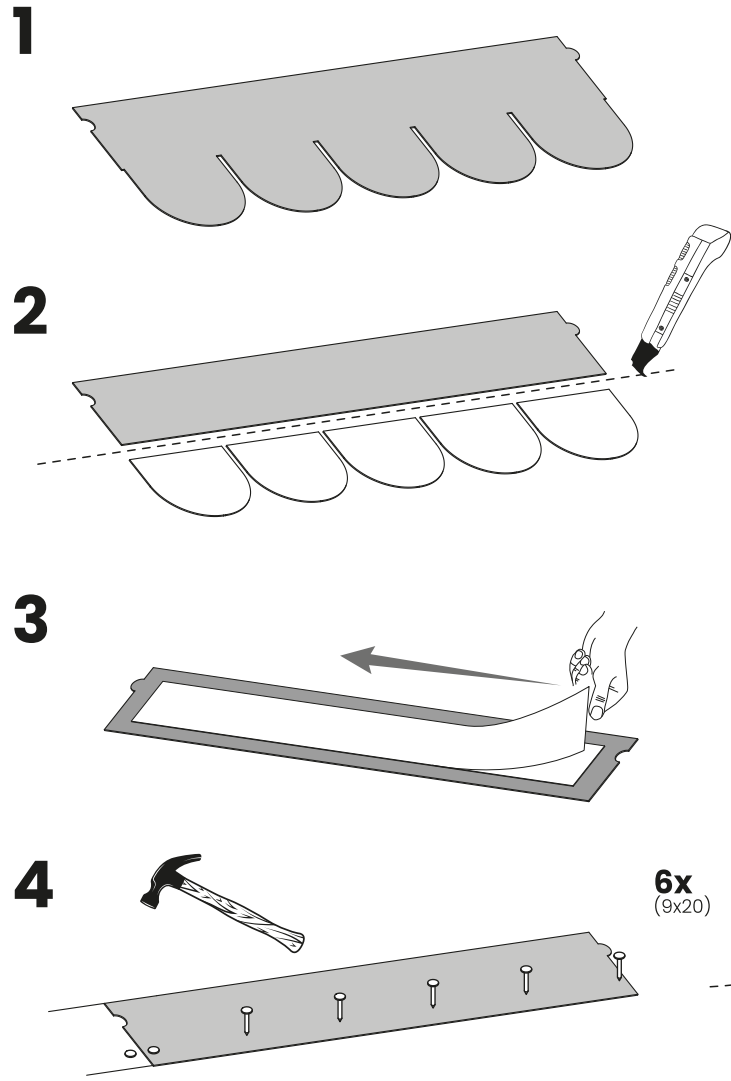


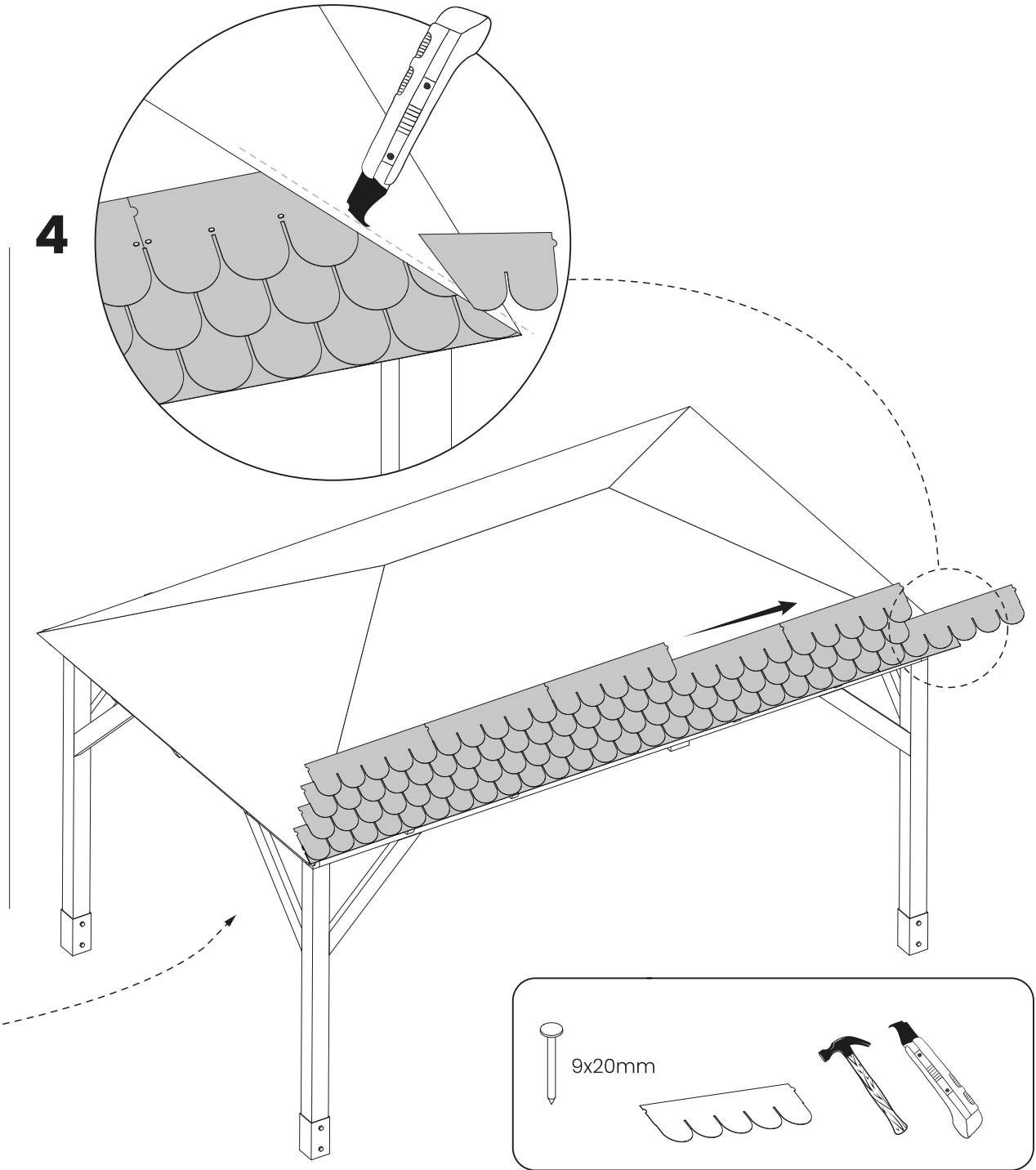
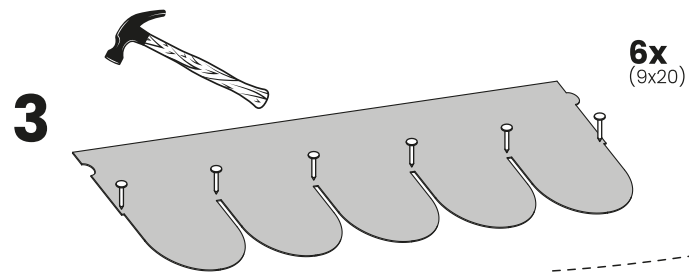
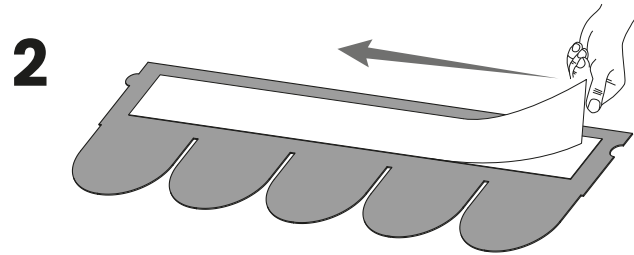
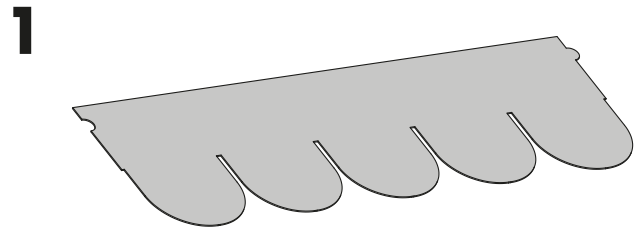
14



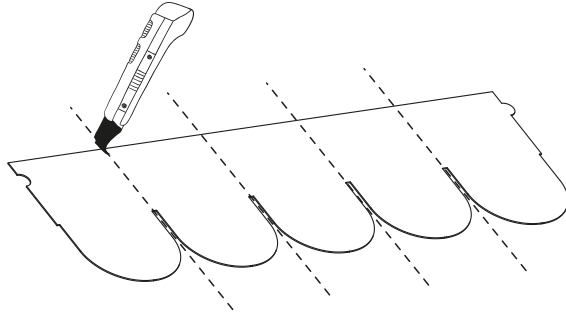


# 16

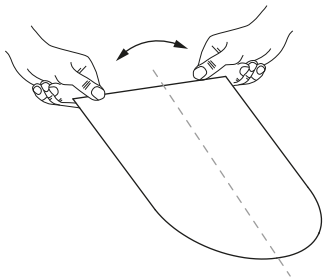




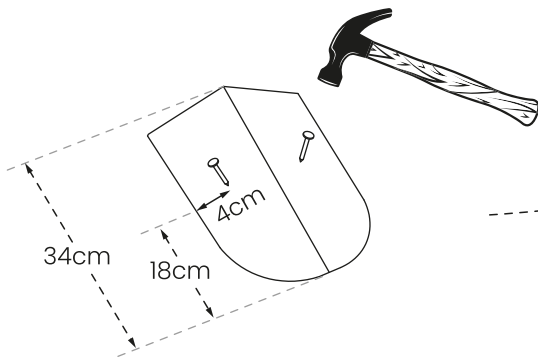
1



2



3



4

