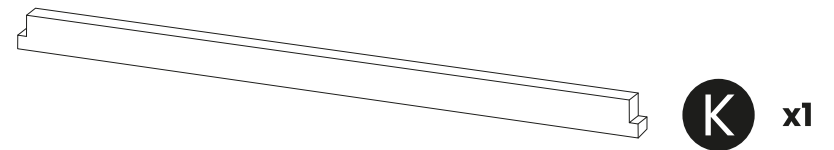
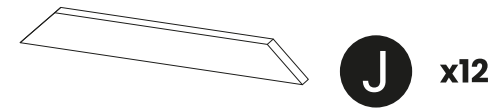
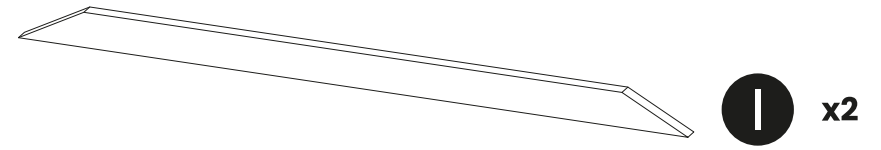
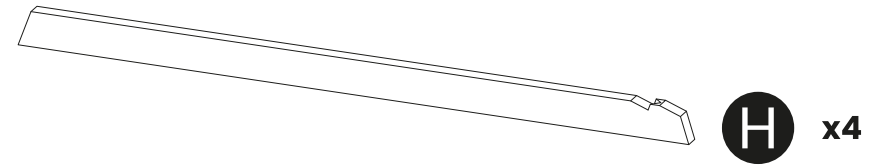
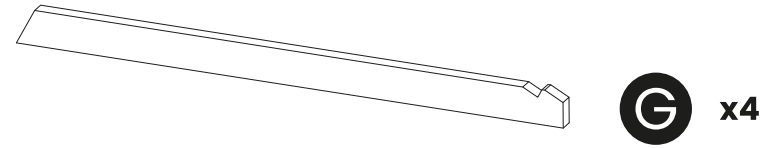
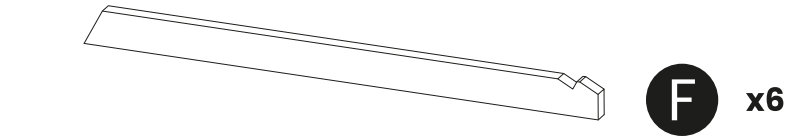
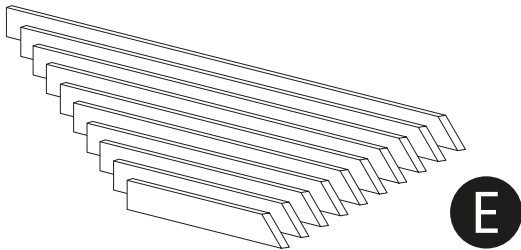
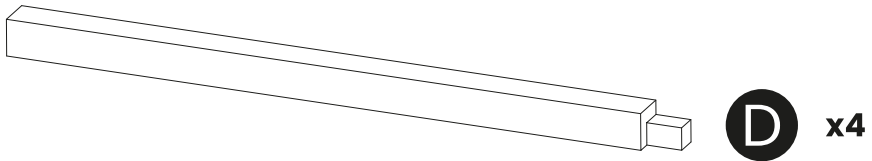
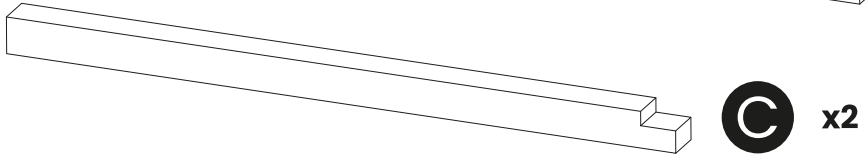
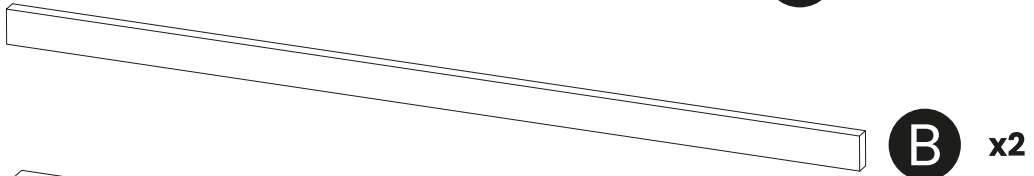
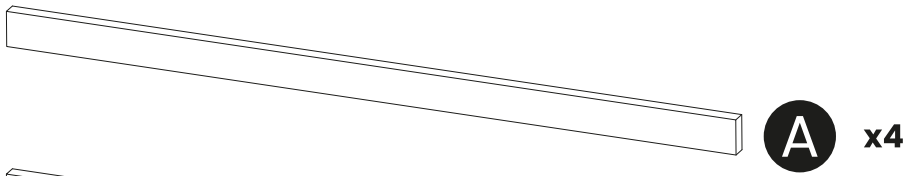


540x290cm



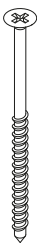
x24
W1 (6x160)



x32
W2 (6x140)



x10
W6 (6x120)



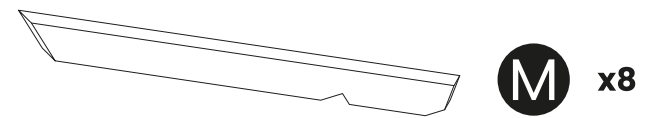
x24
W4 (6x100)



x24
W3 (6x80)



x1400
W5 (2x50)

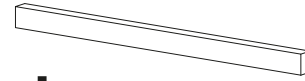




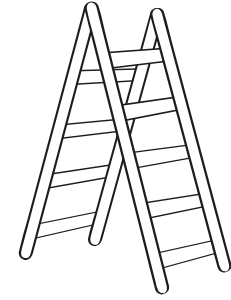
x2



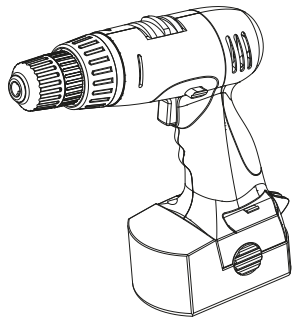
x1



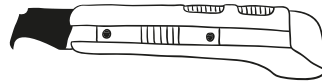
x1



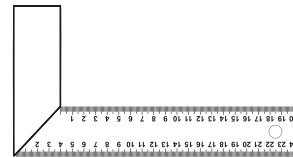
x2



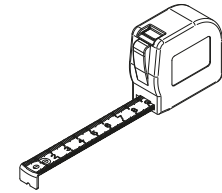
x1



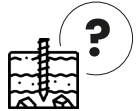
x2



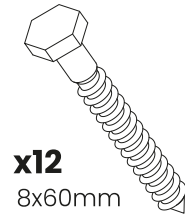
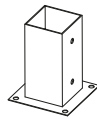
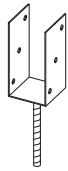
x1



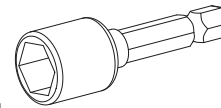
x1



x6



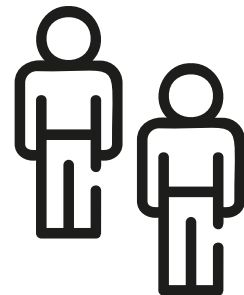
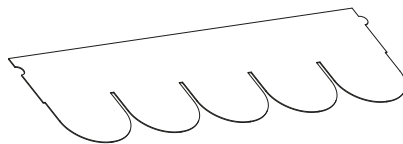
x12
8x60mm



x1
● 13

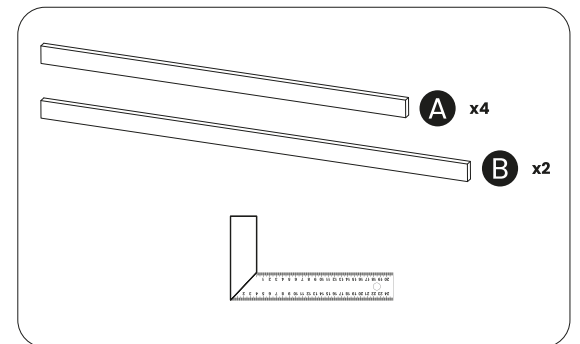
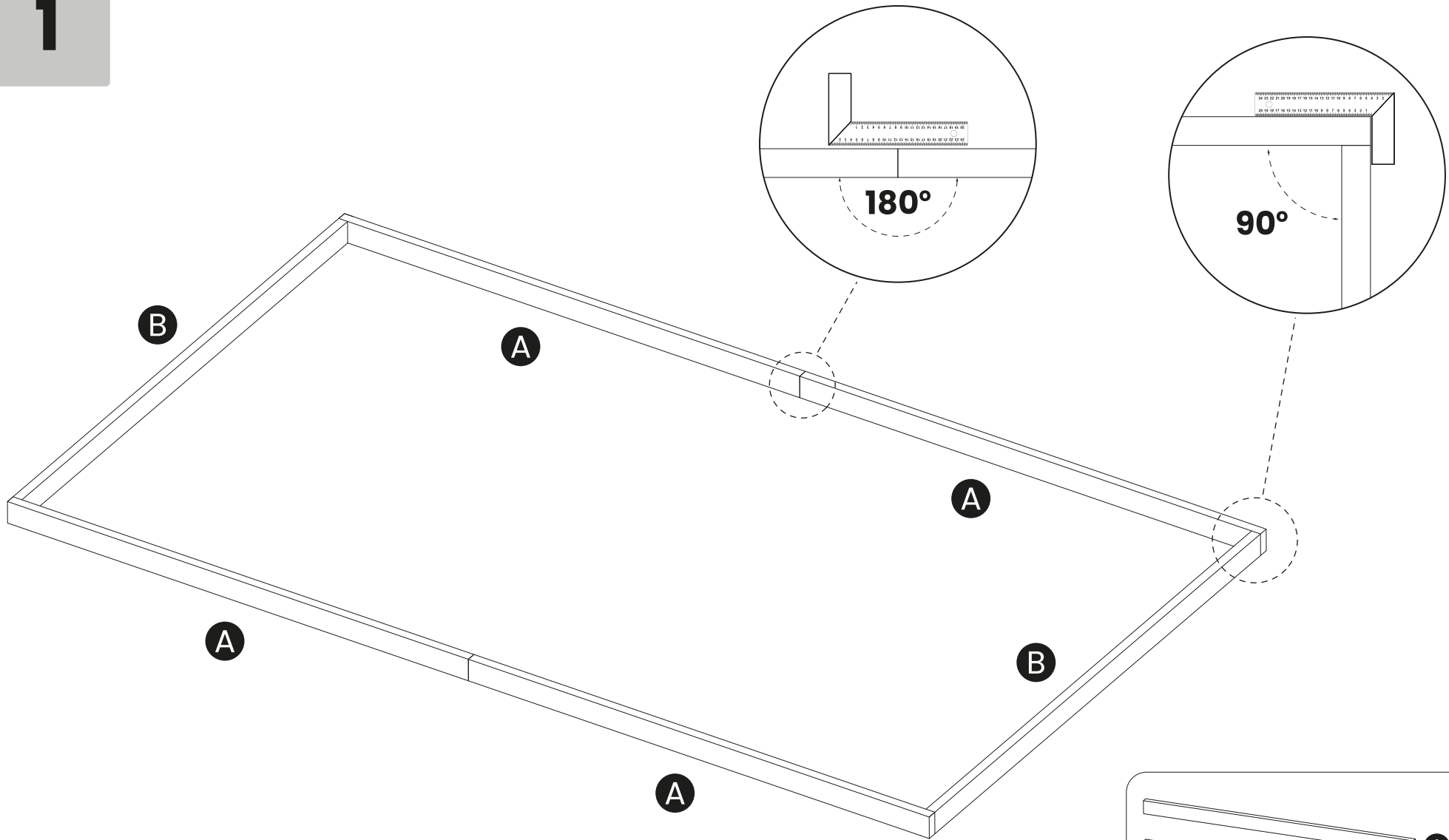


x1600
9x20mm

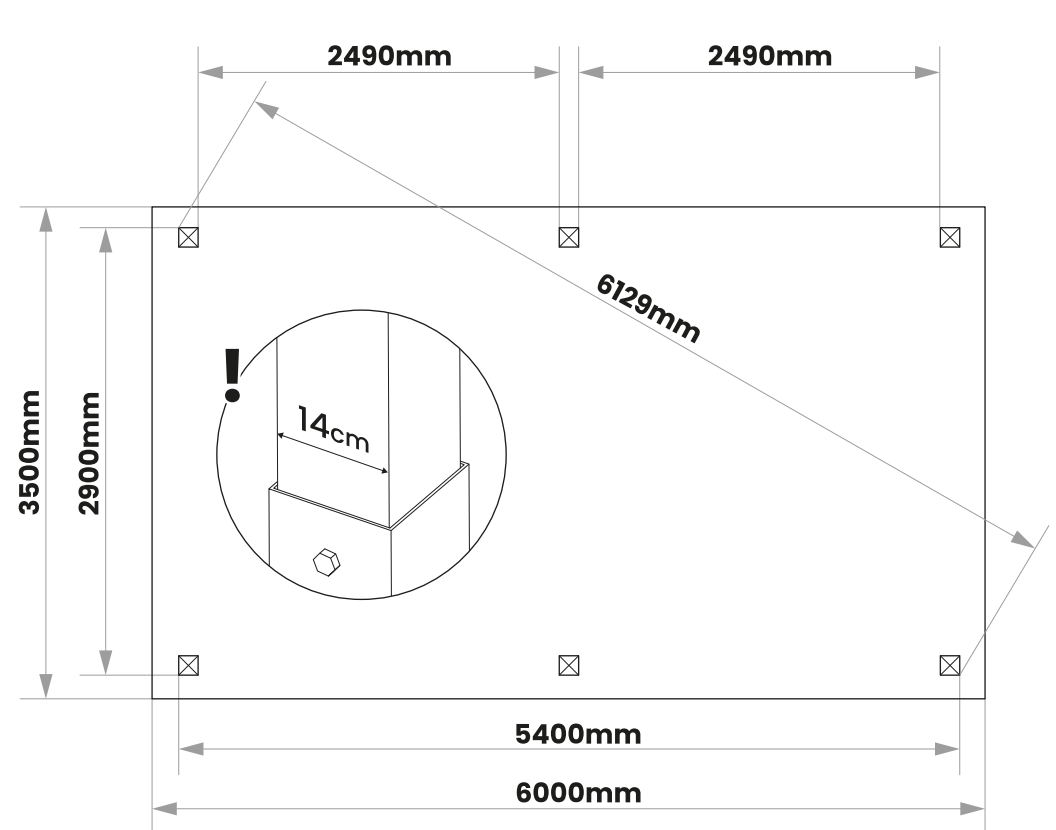
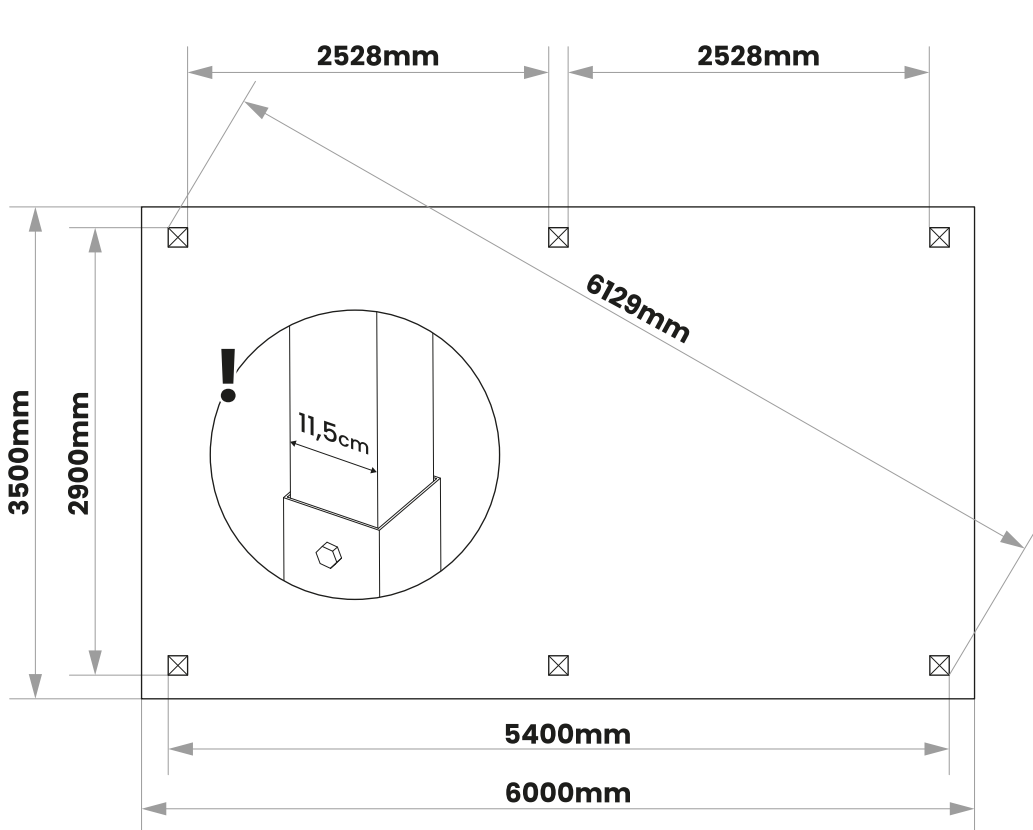
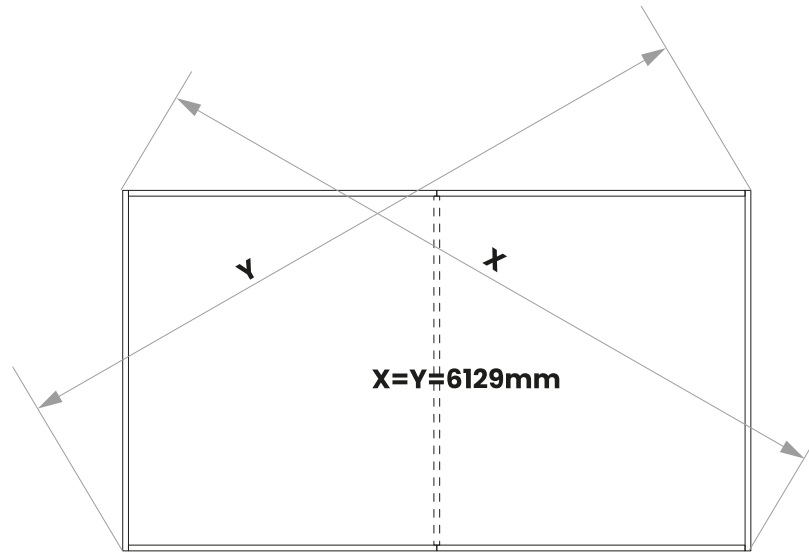
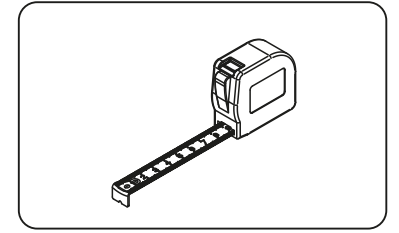


x2

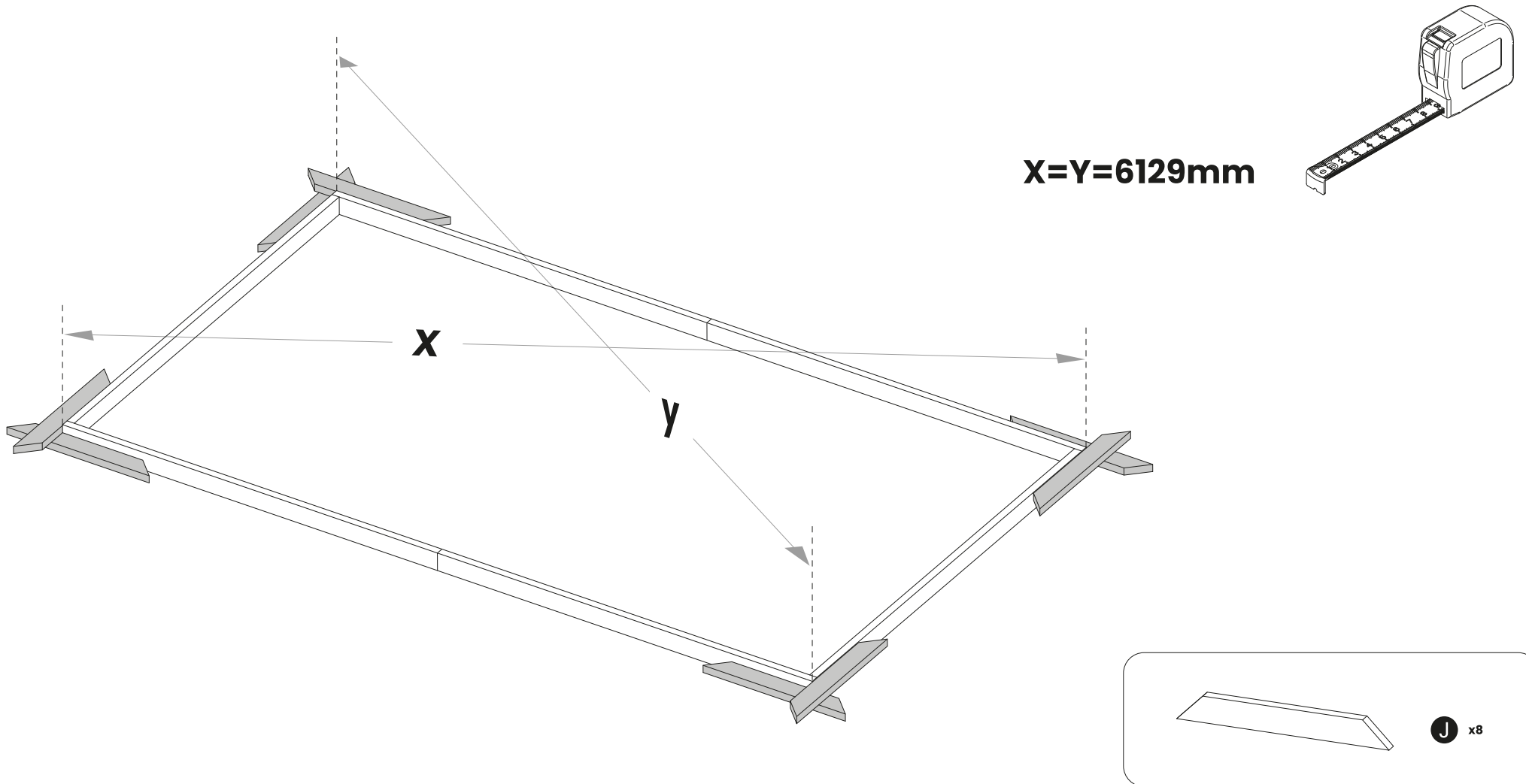
1



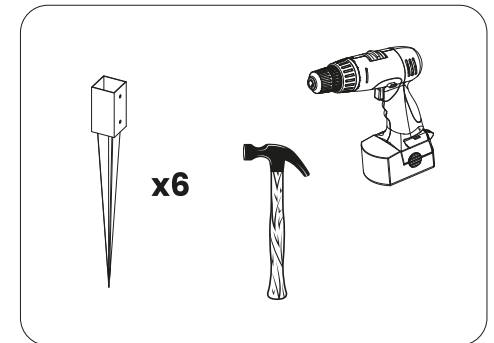
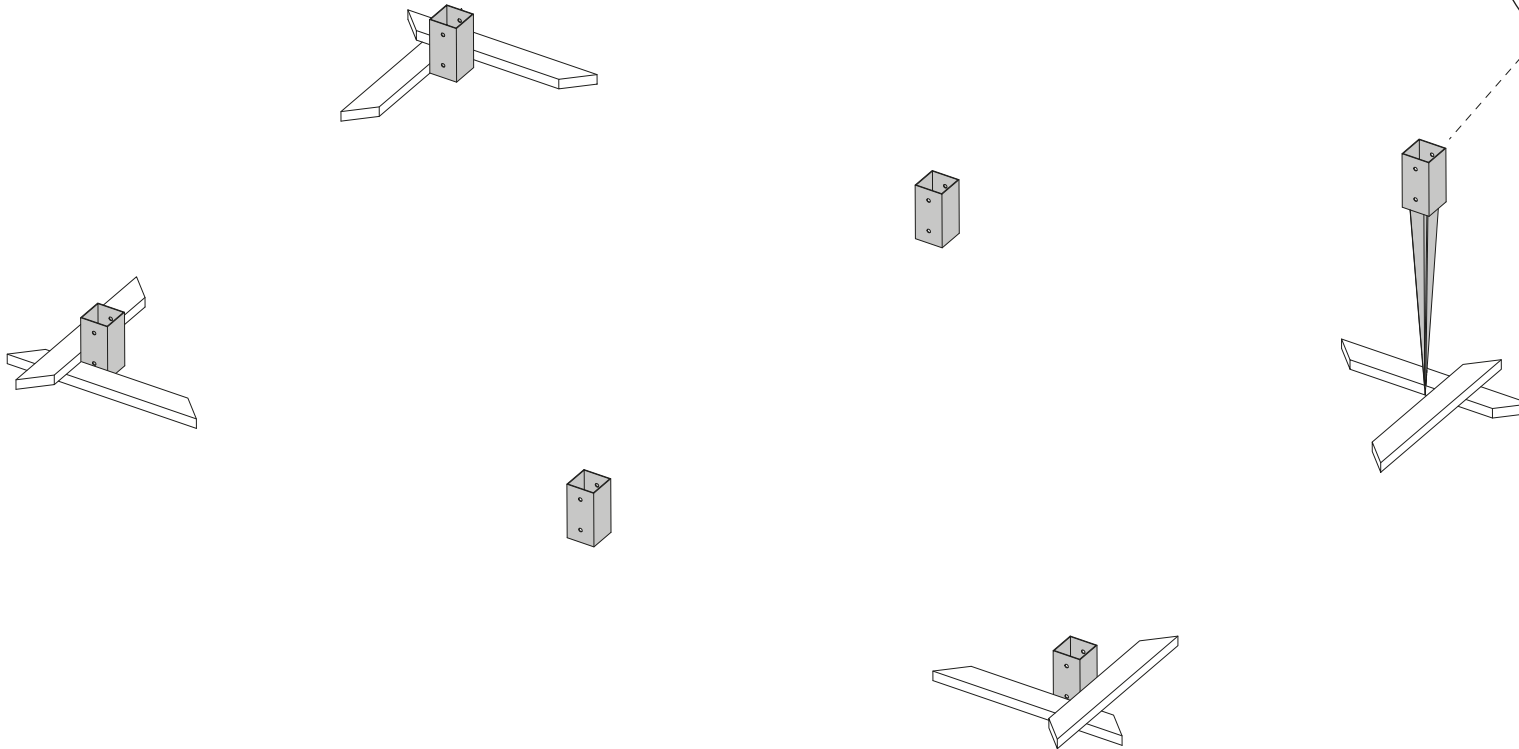
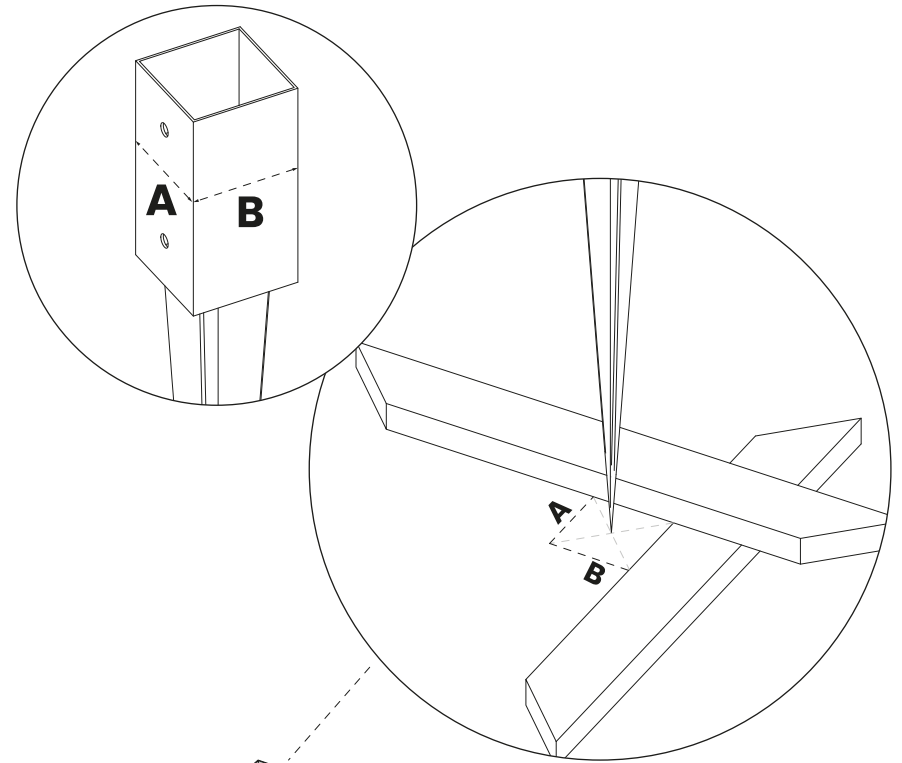
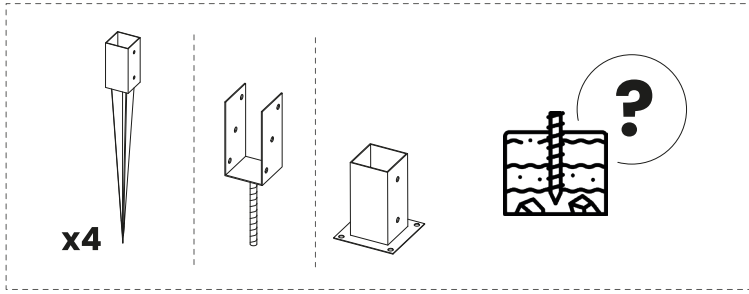
2



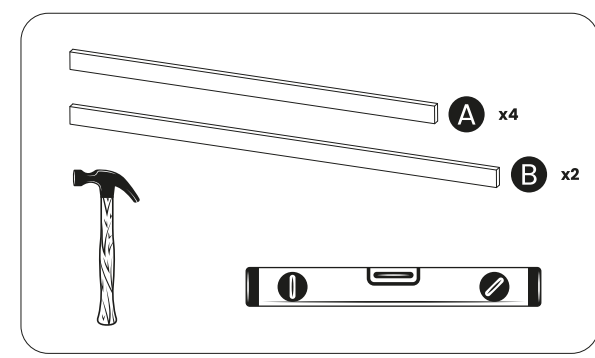
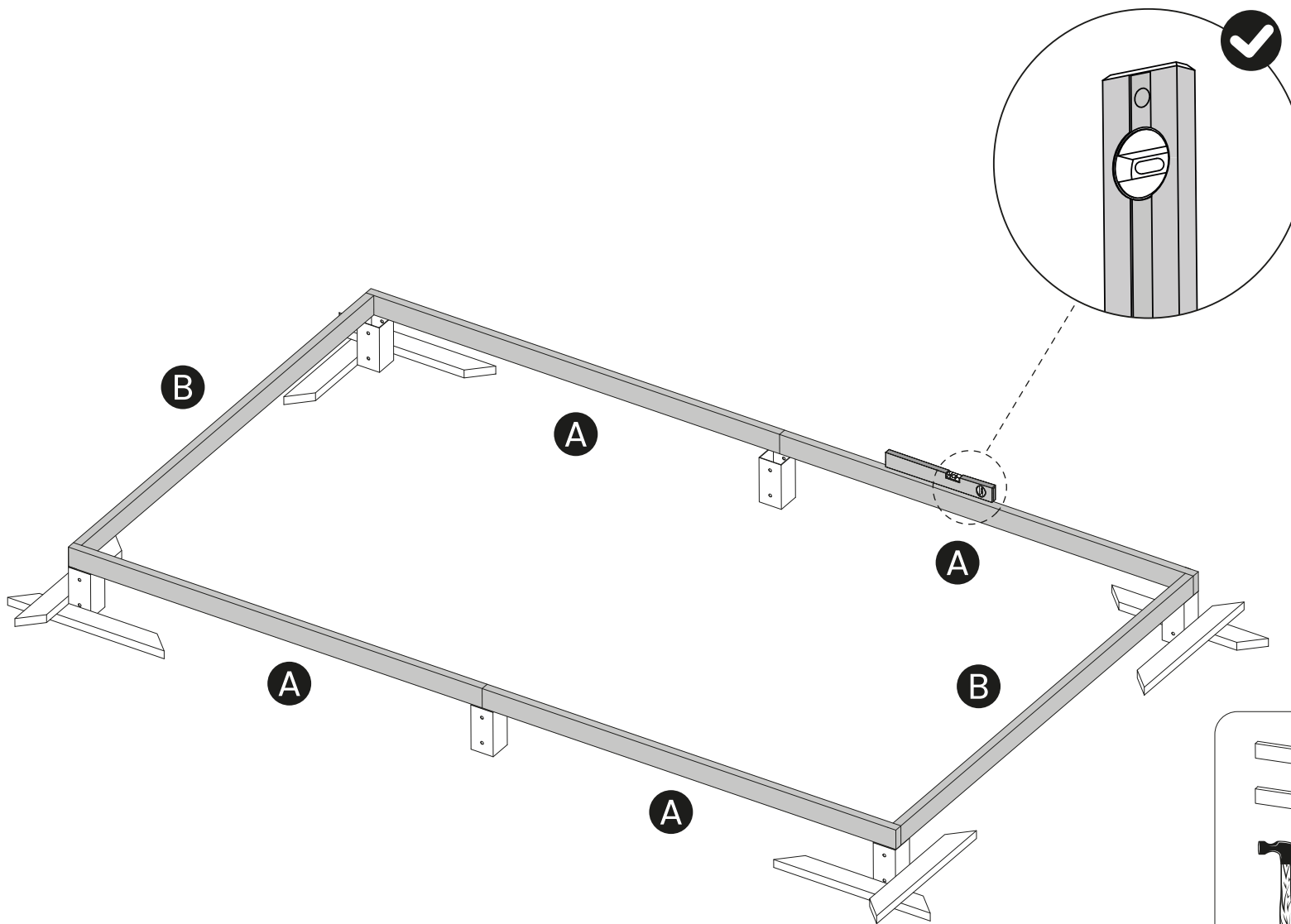
3



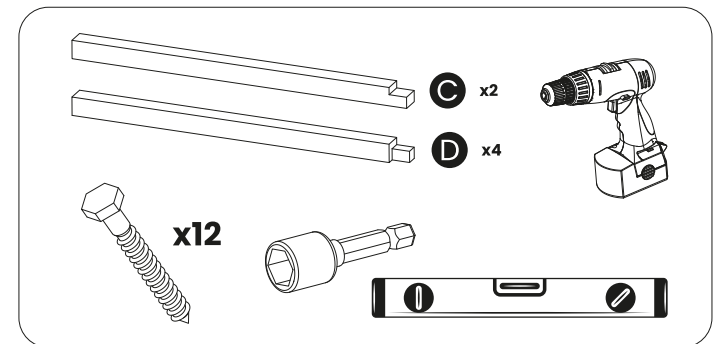
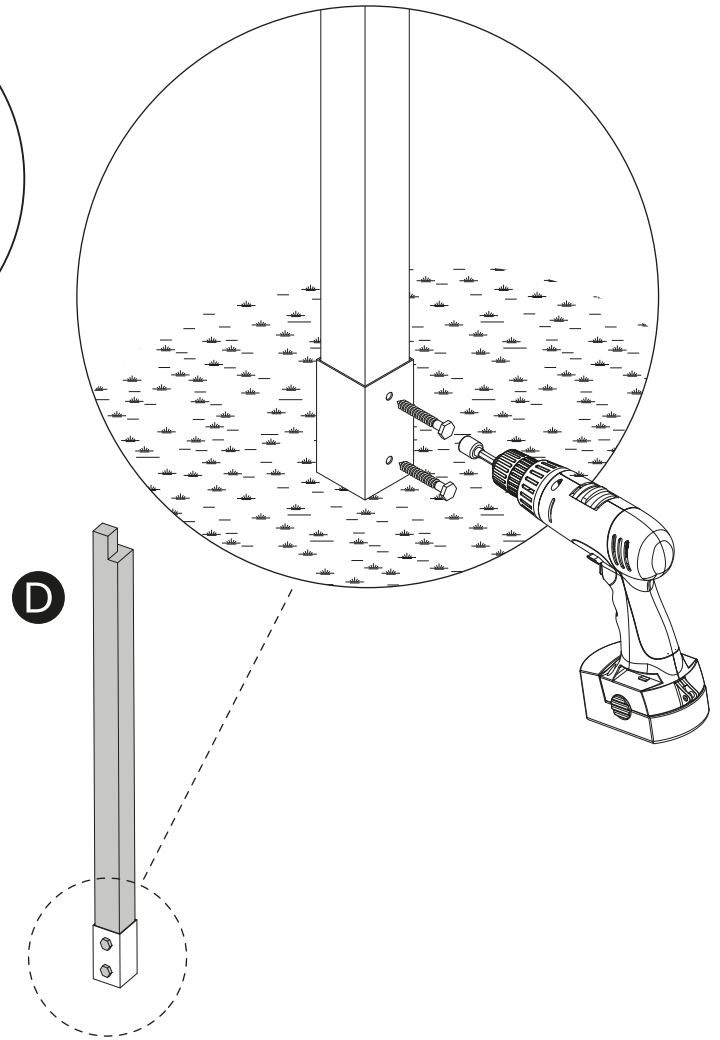
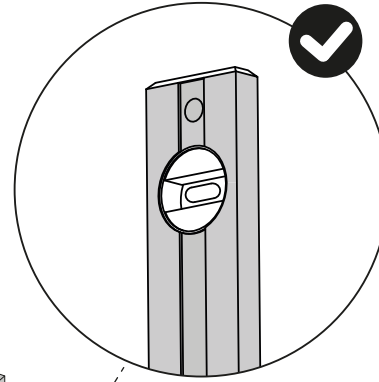
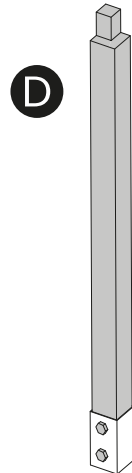
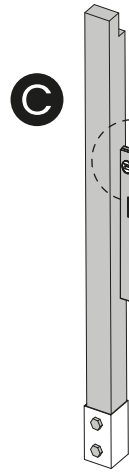
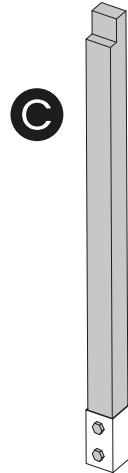
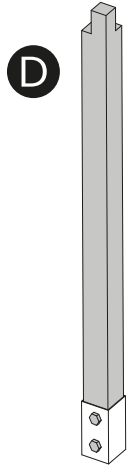
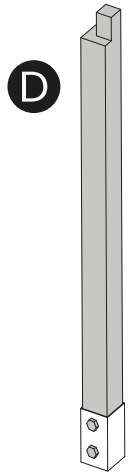
4



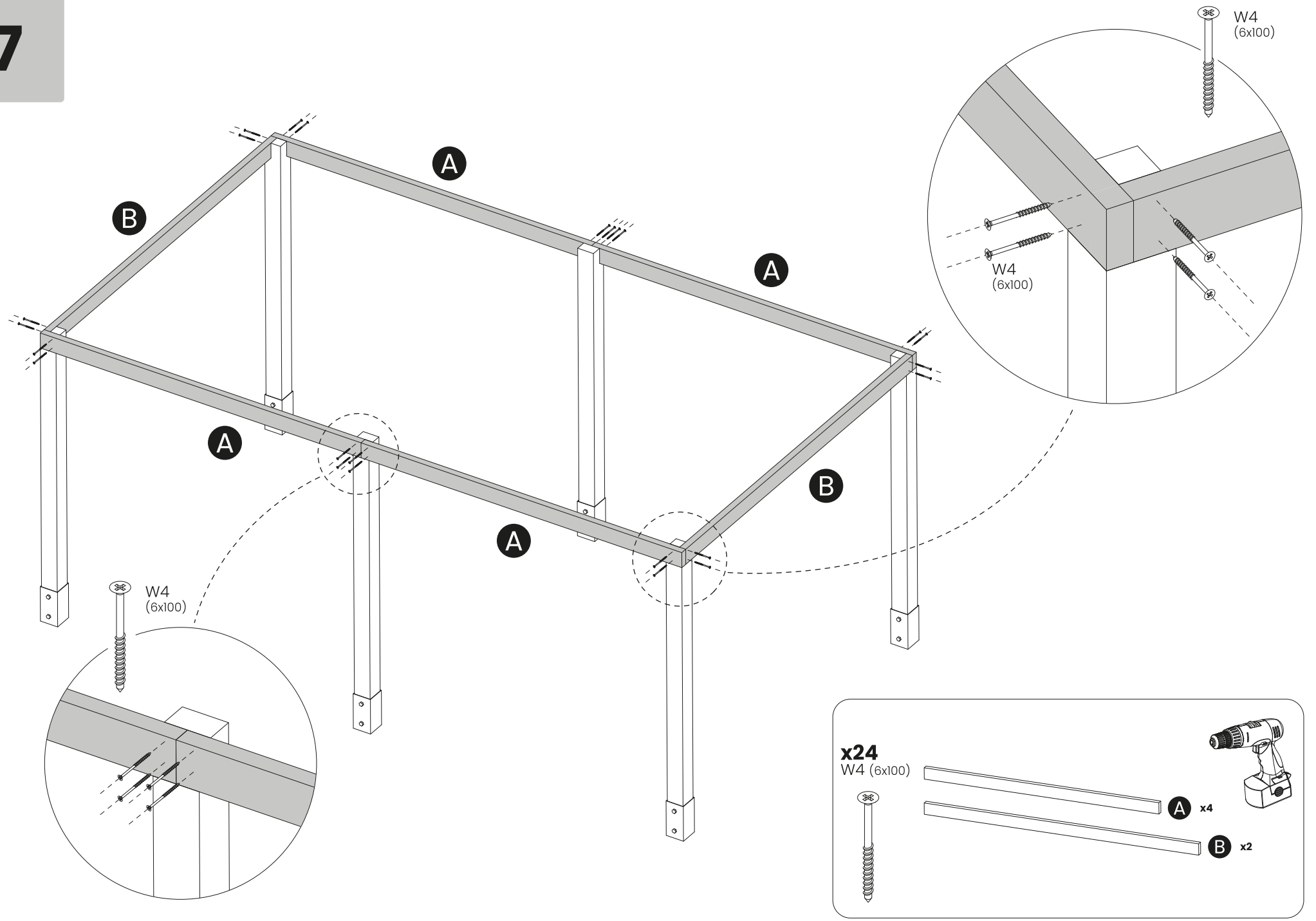
5



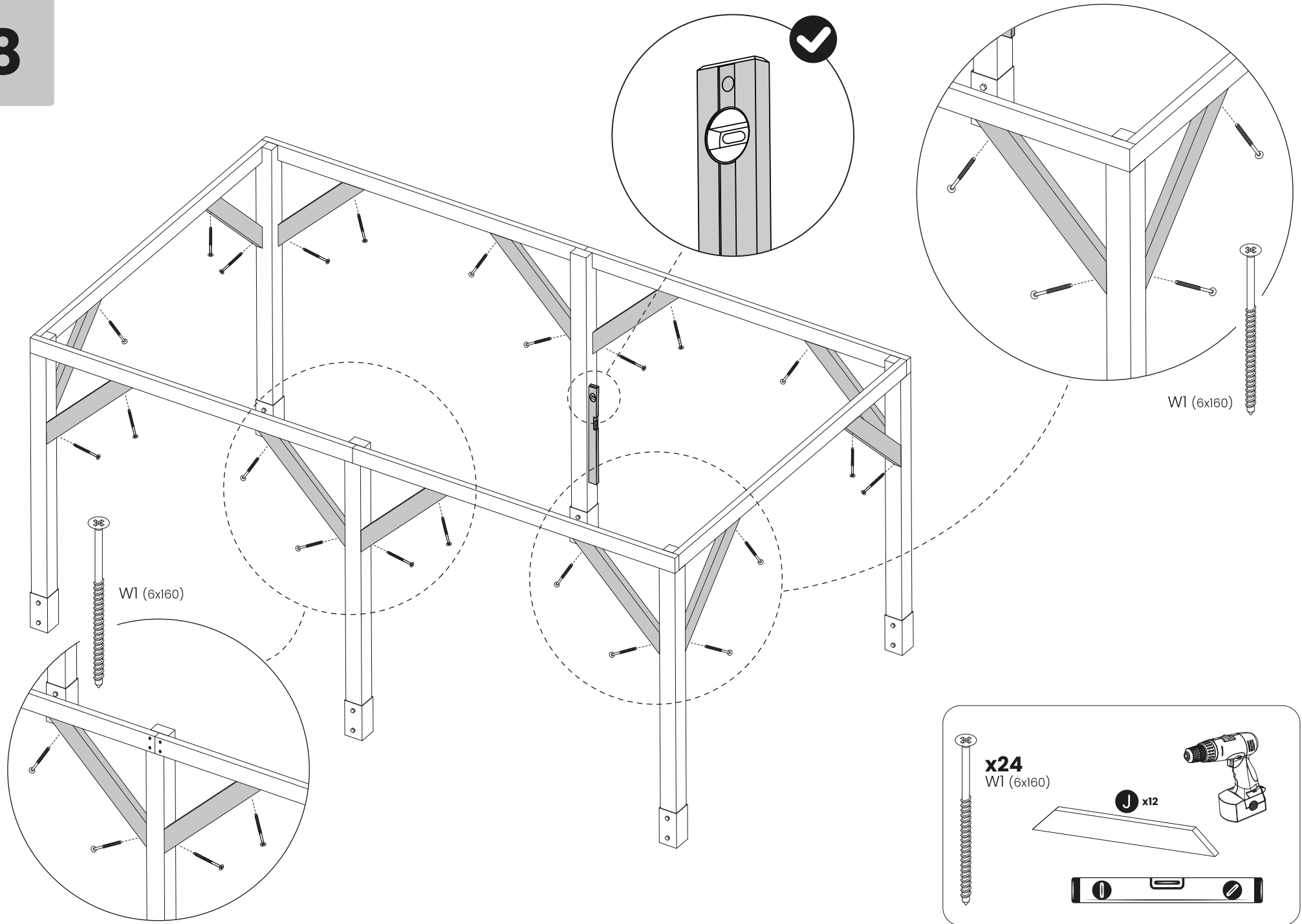
6



7



8



9

x2

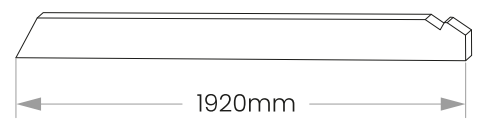
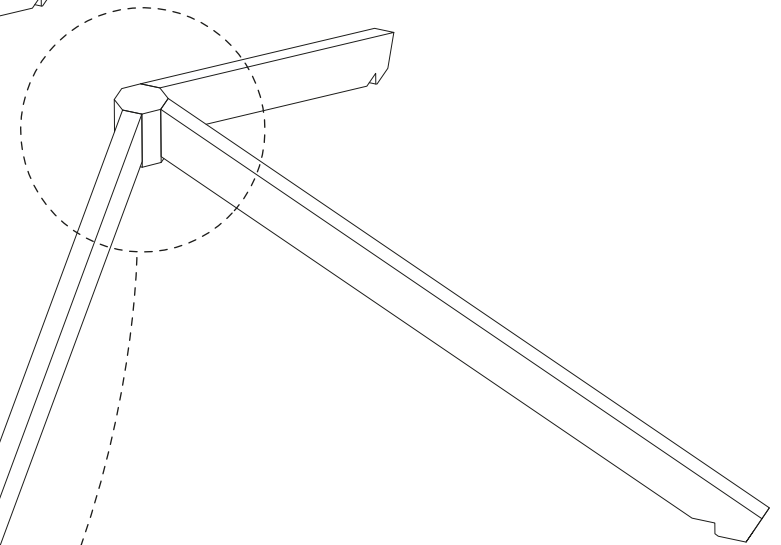
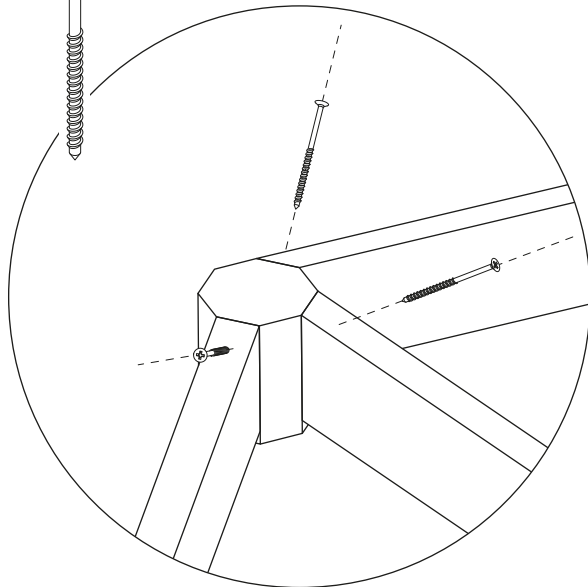
F

F

F



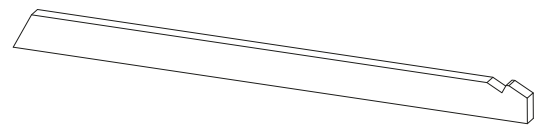
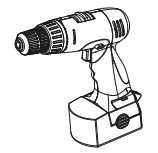
W2 (6x140)



x6
W2 (6x140)

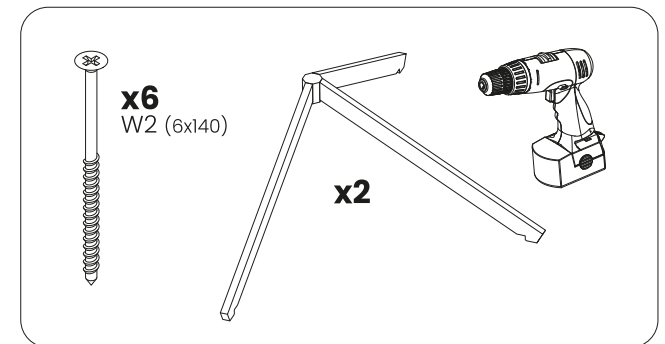
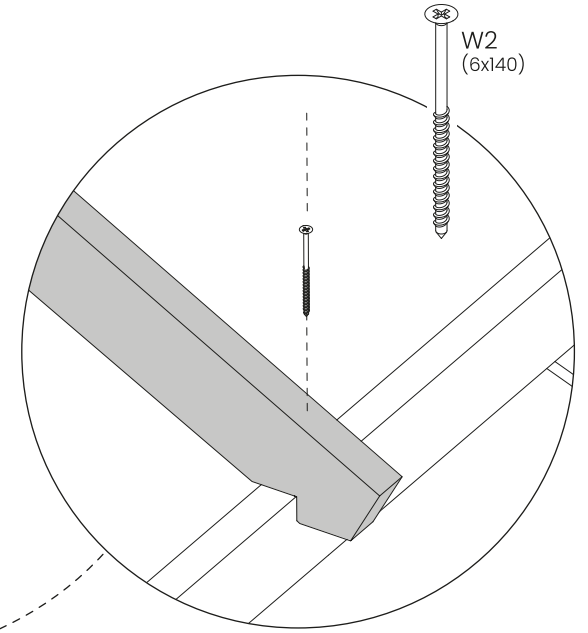
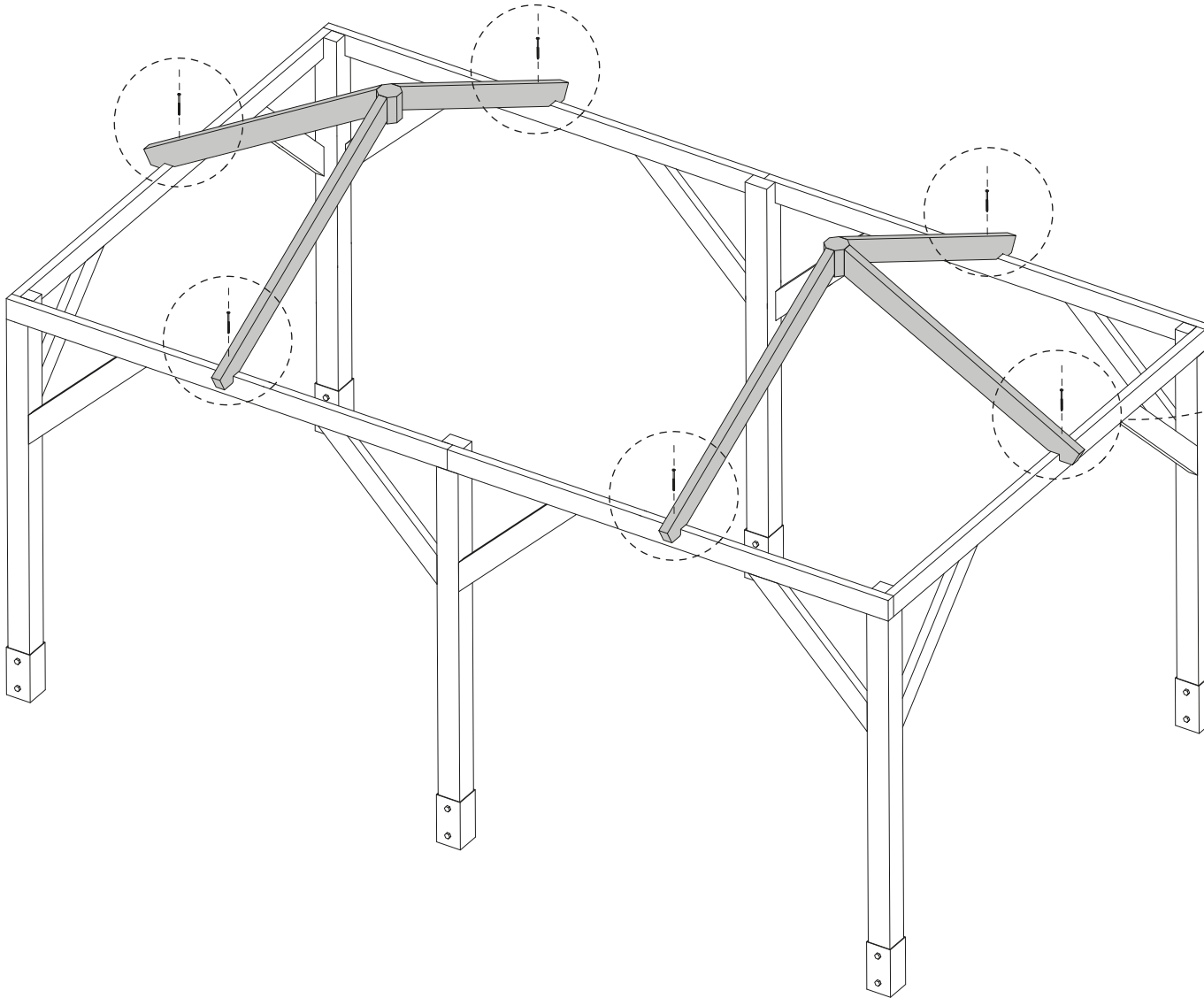


L x2

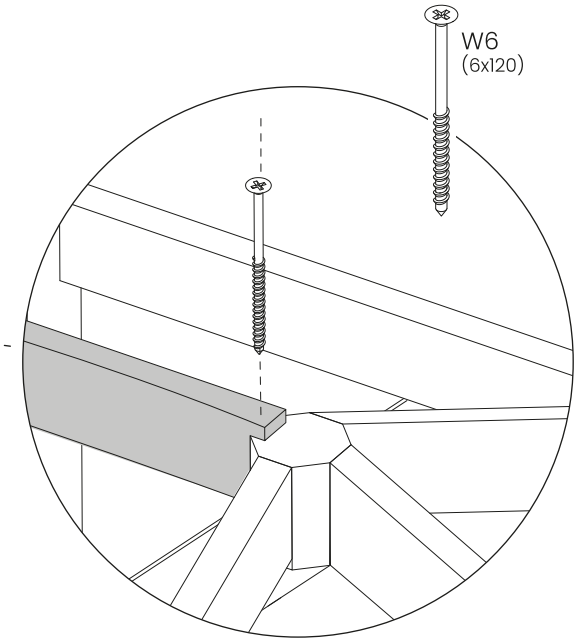
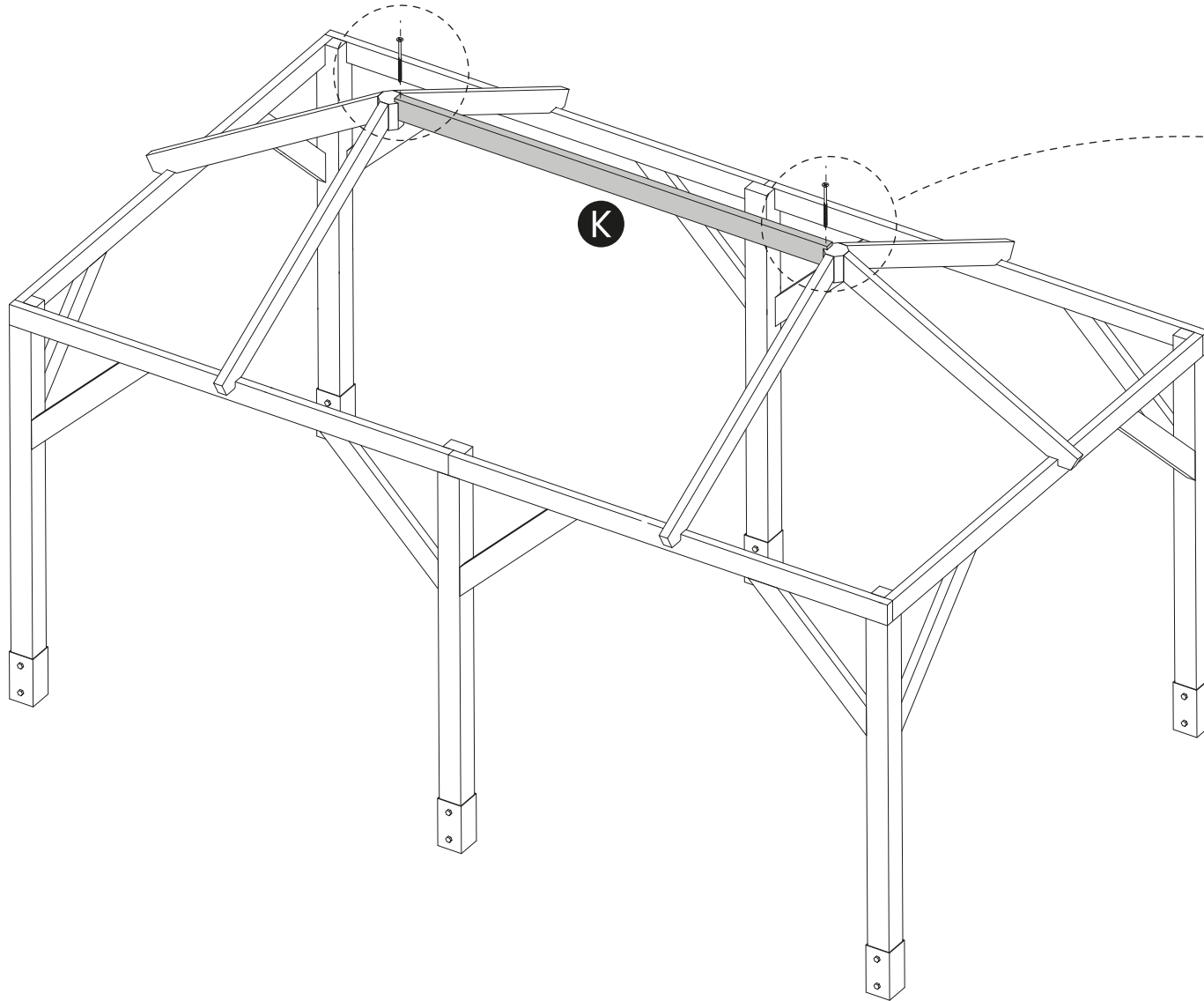


F x6

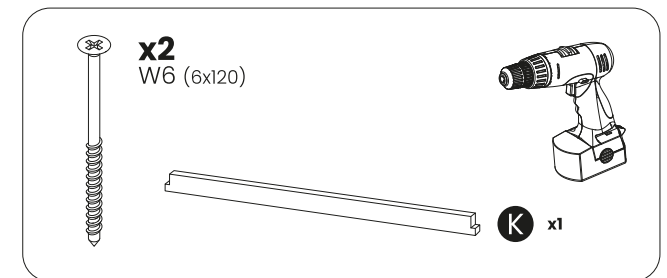
10



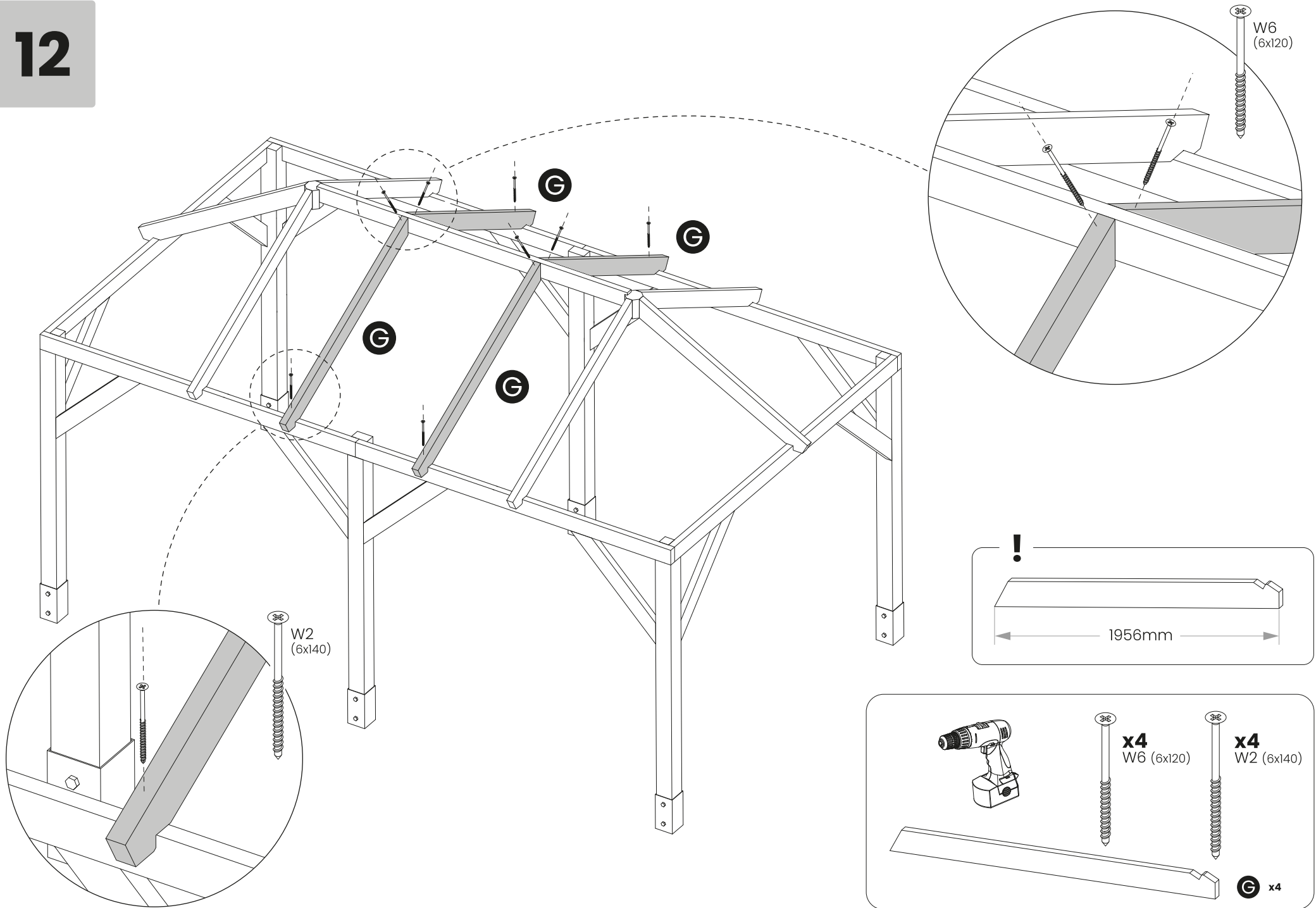
11



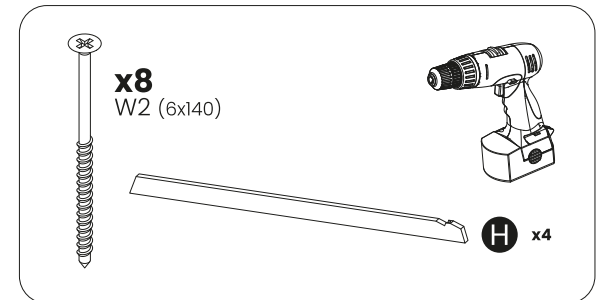
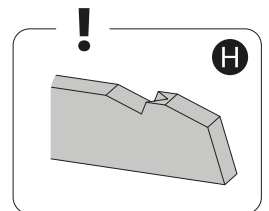
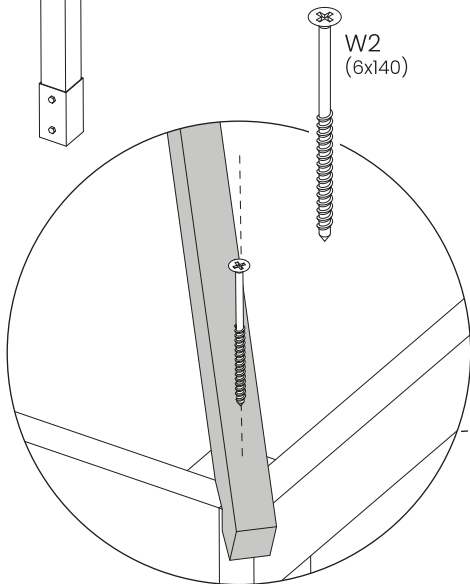
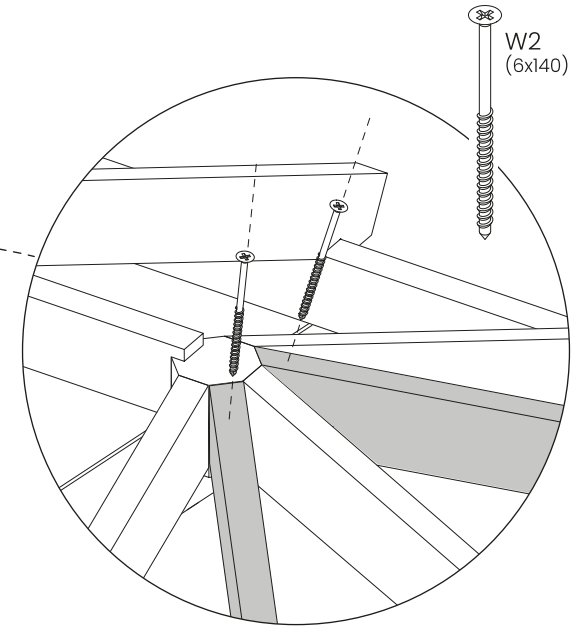
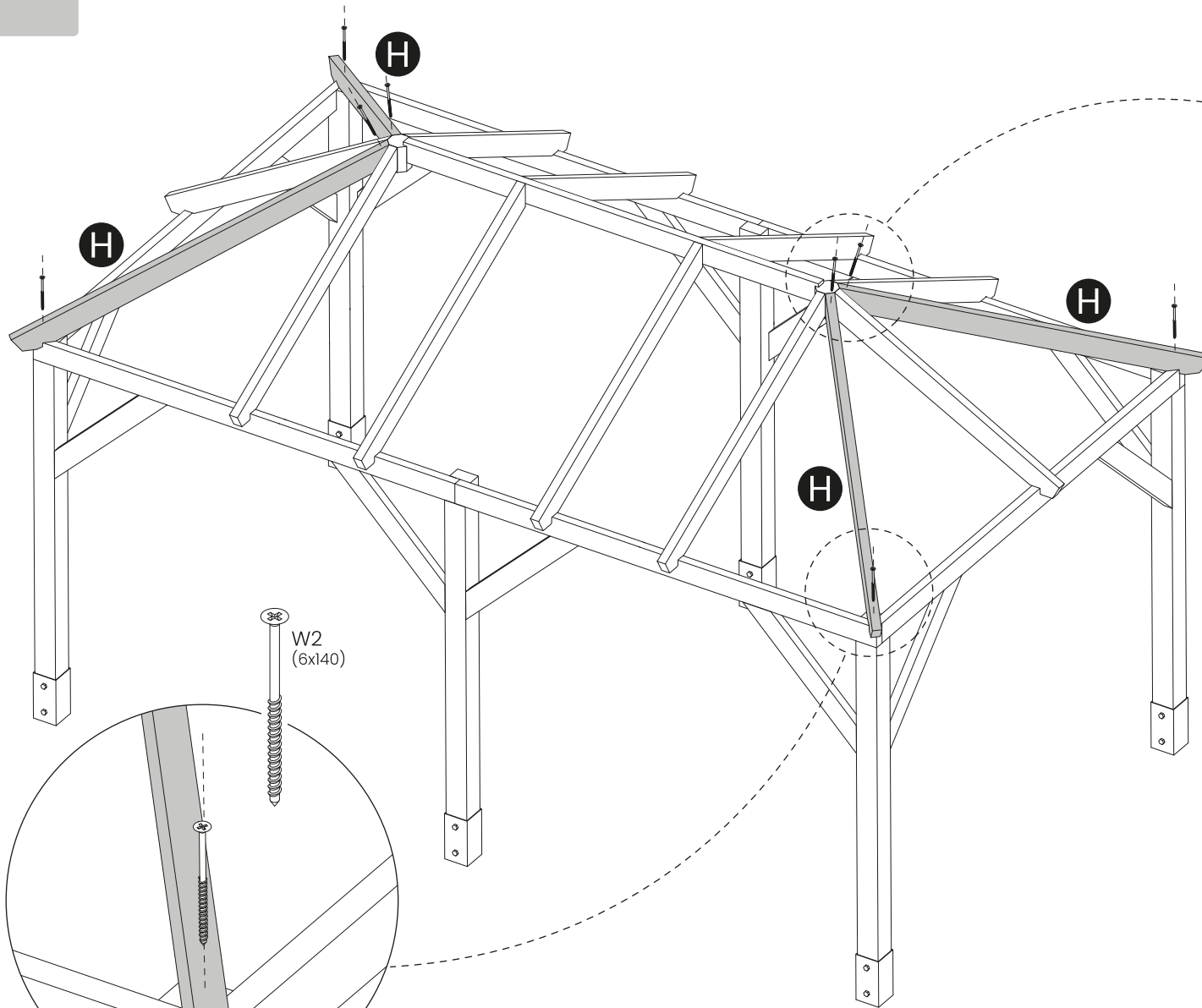
W6
(6x120)



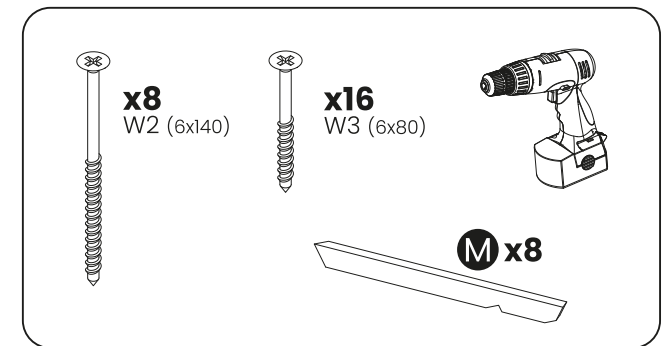
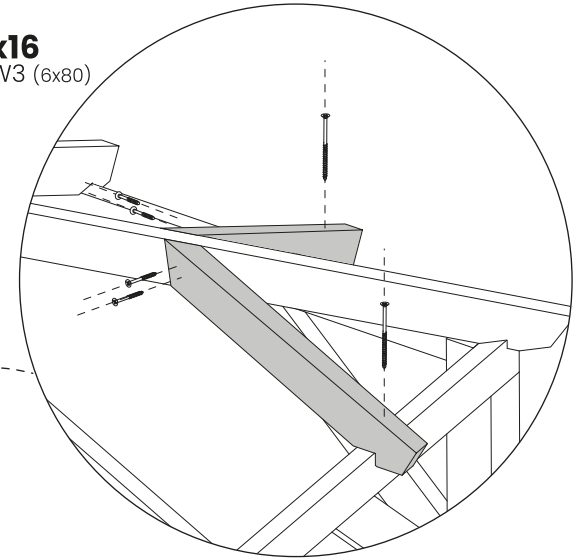
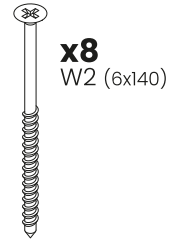
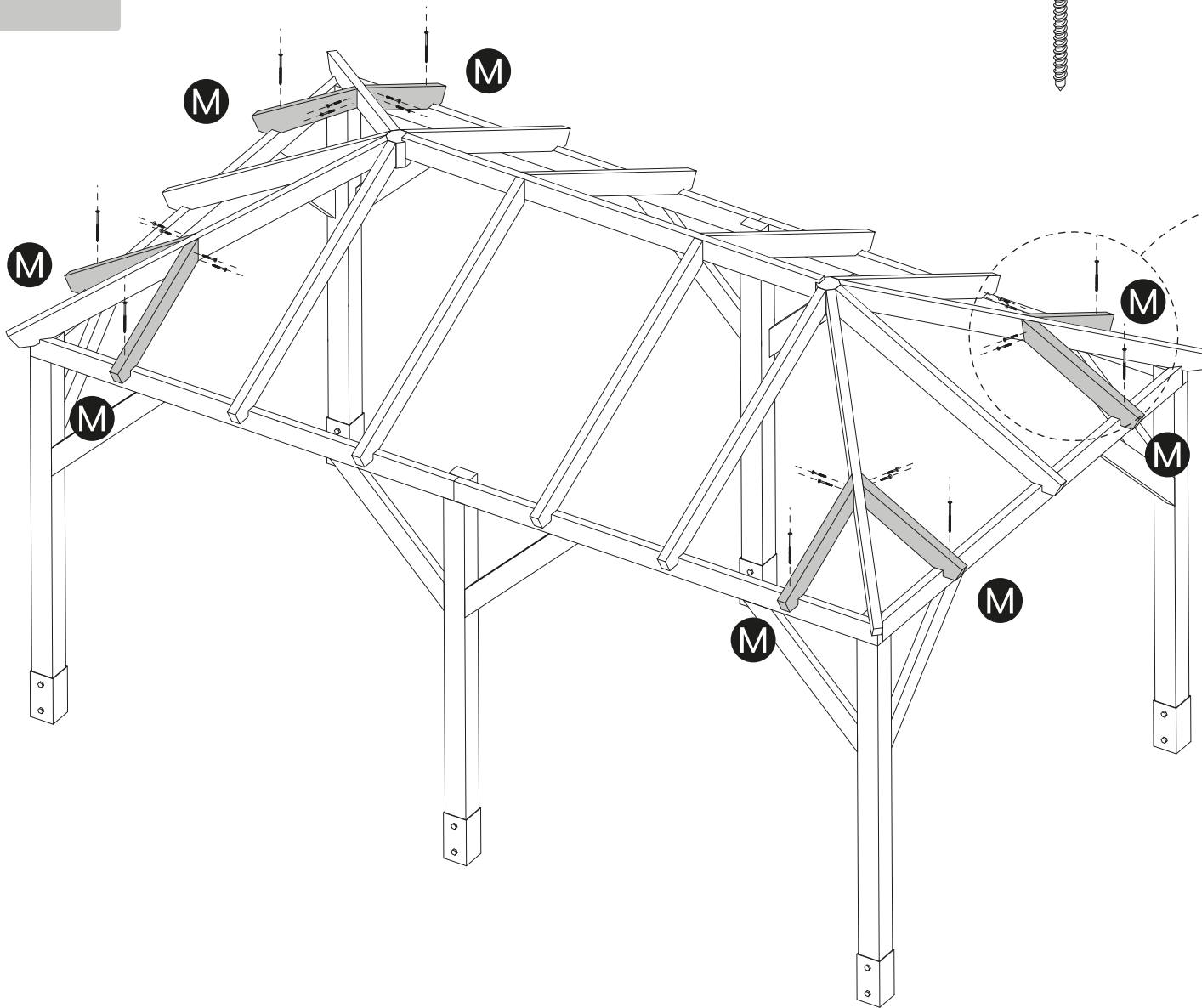
12

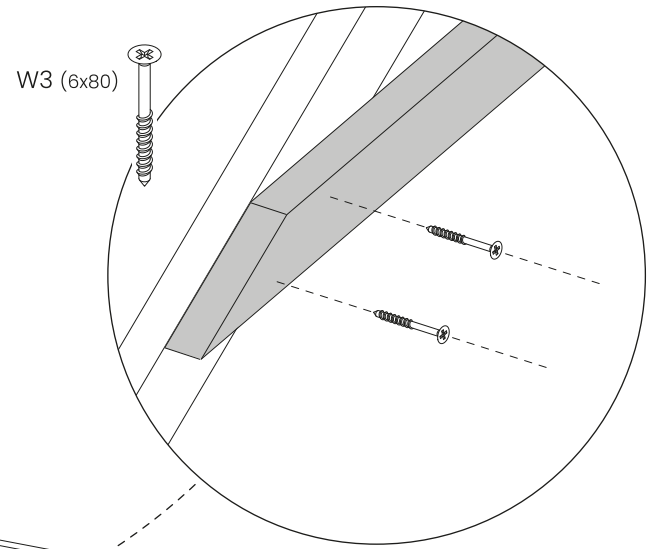
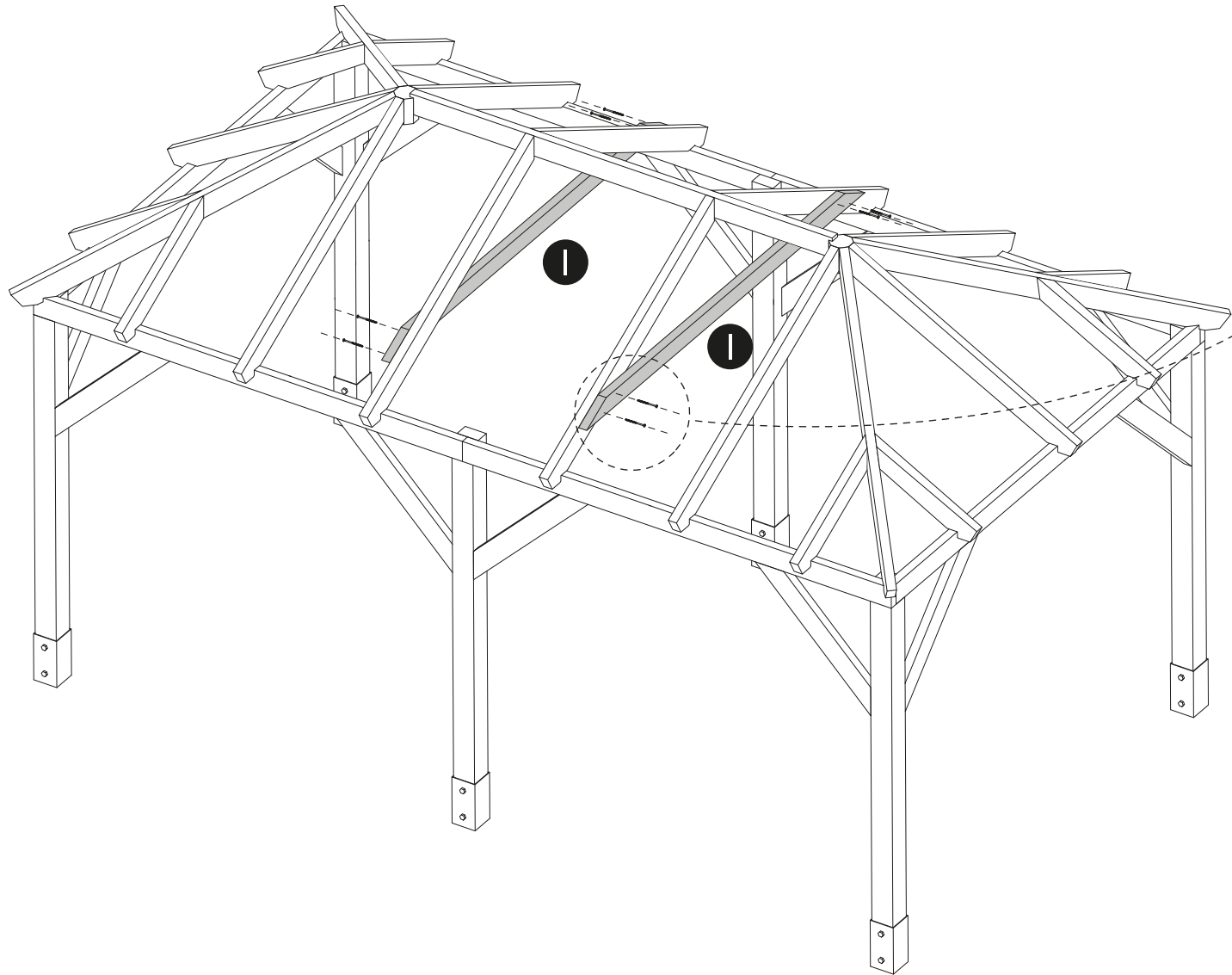


13



14



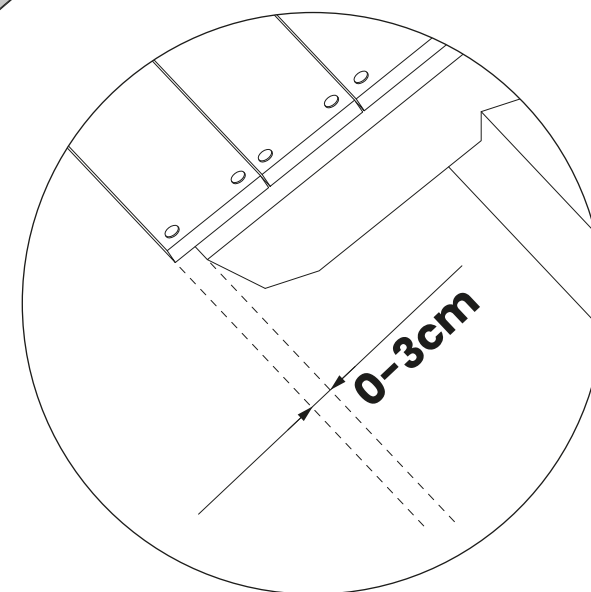
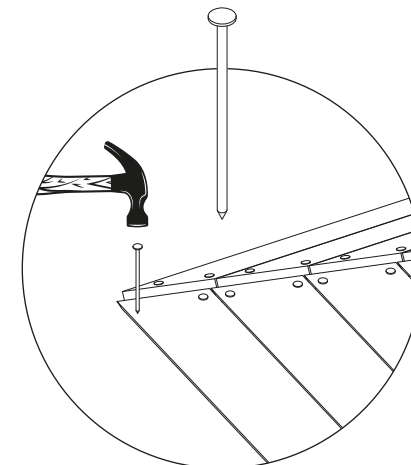
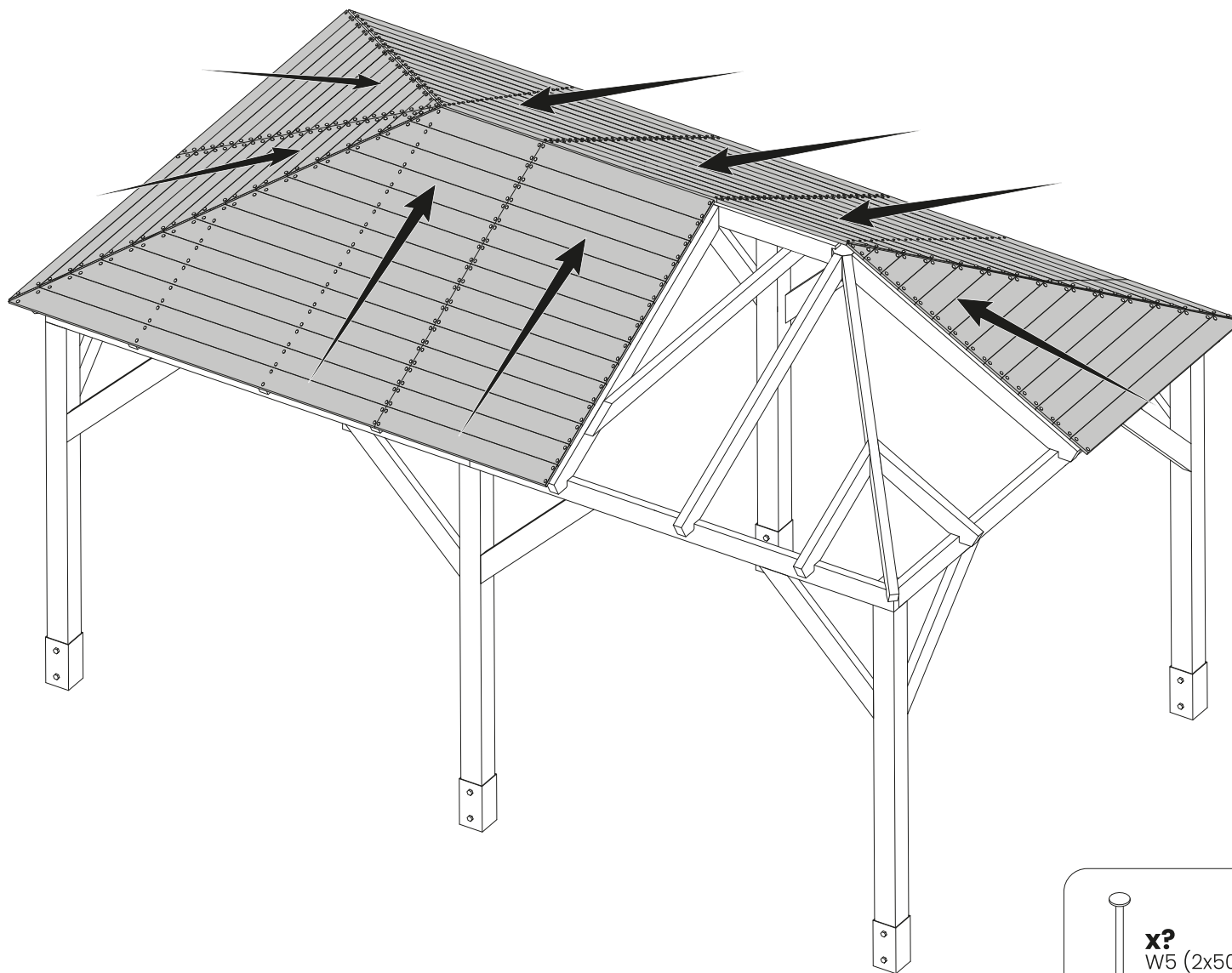


x8
W3 (6x80)

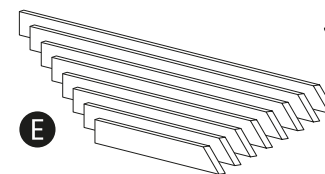
A diagram showing the components for step 15: a screw labeled "W3 (6x80)", a long wooden wedge, and a black circle containing a vertical bar (⊥) labeled "x2".

An illustration of a cordless power drill.

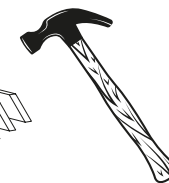
16

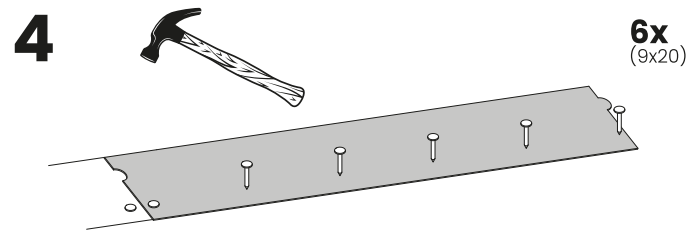
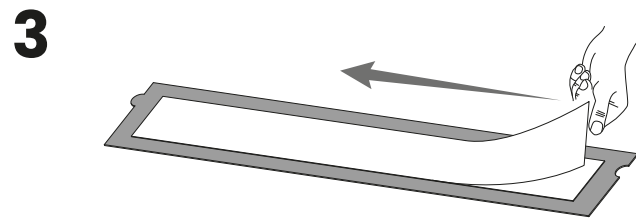
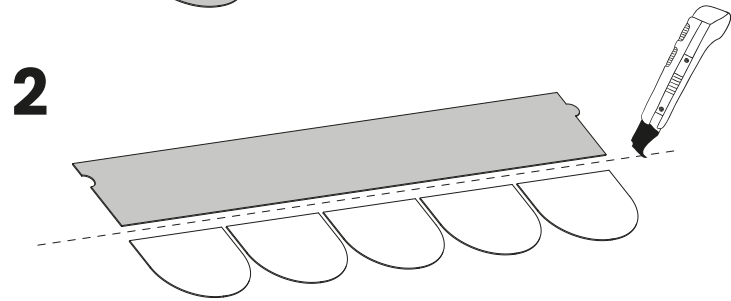
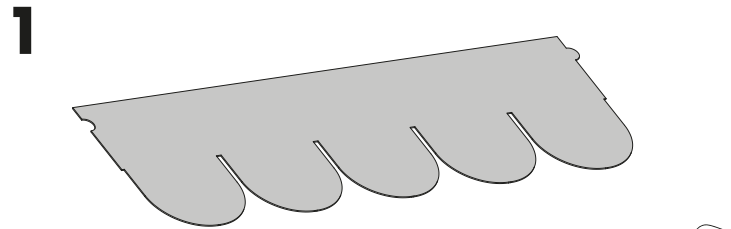


x?
W5 (2x50)

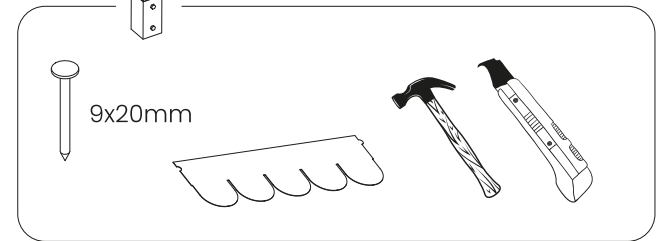
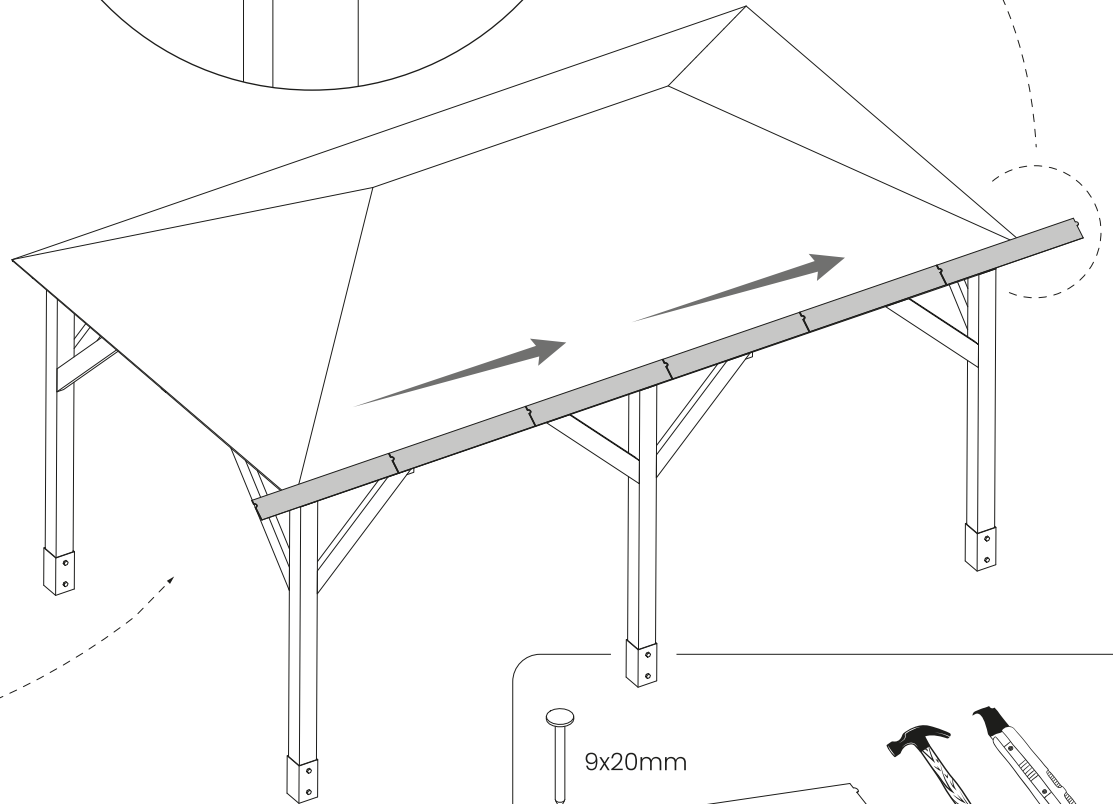
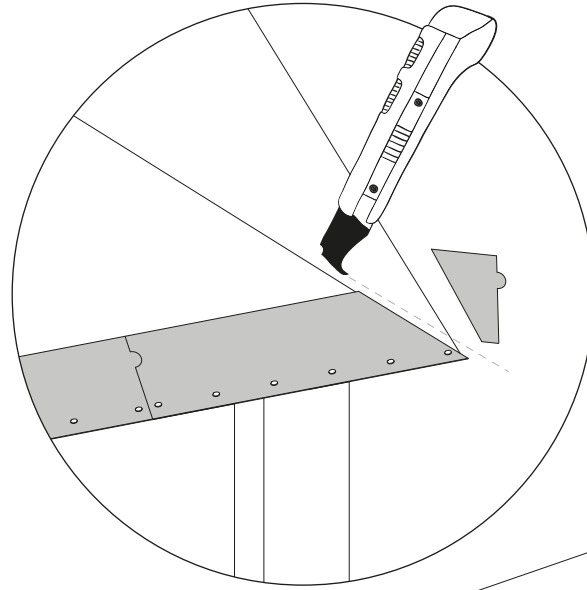


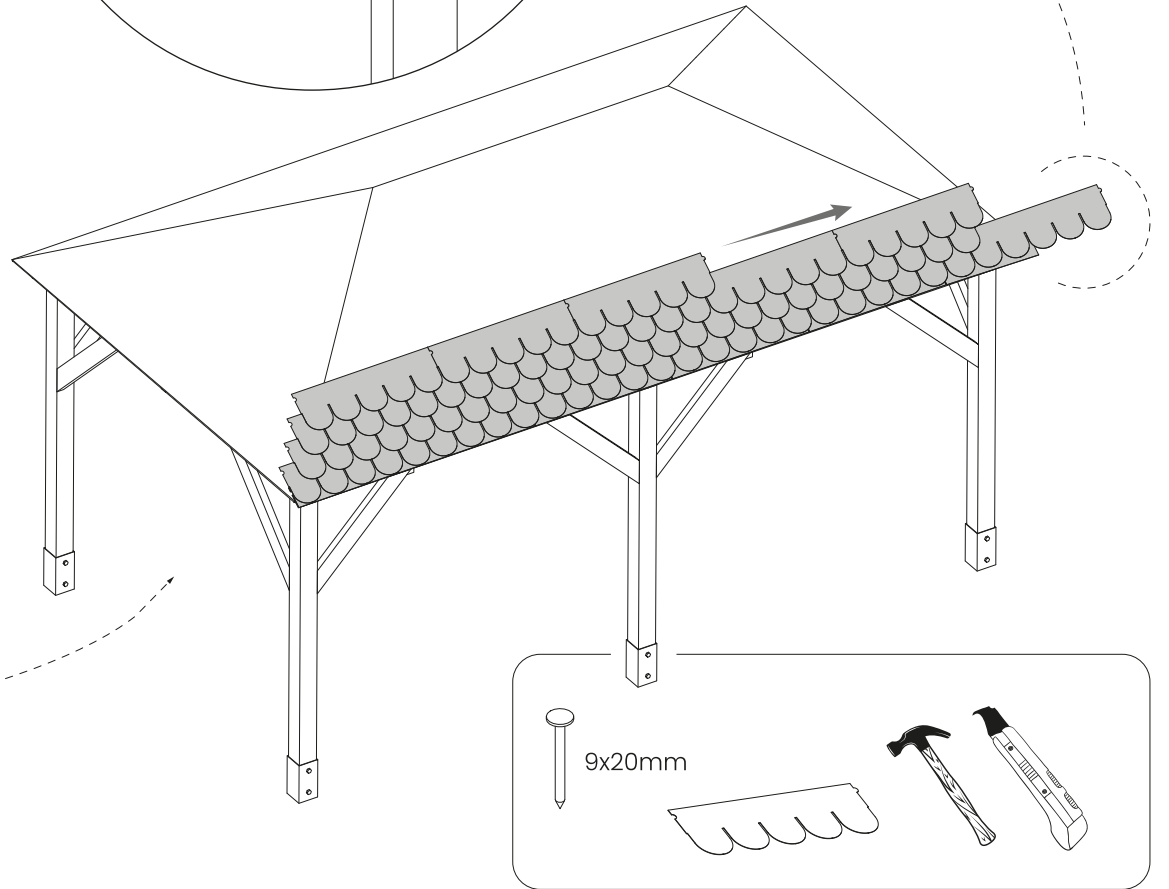
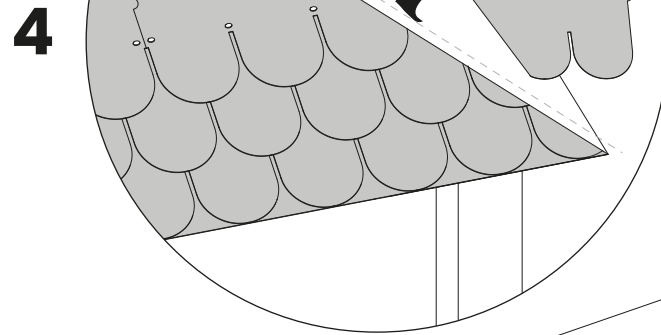
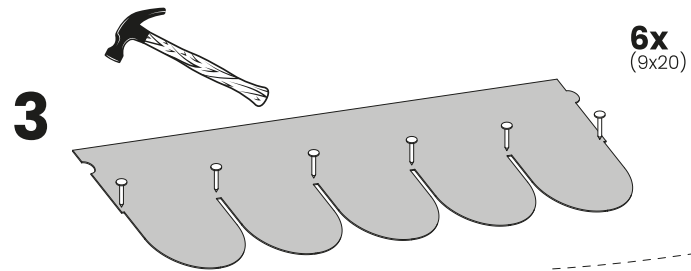
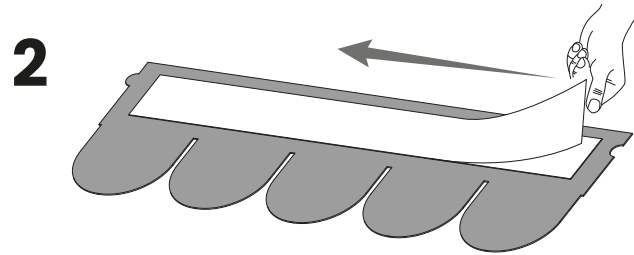
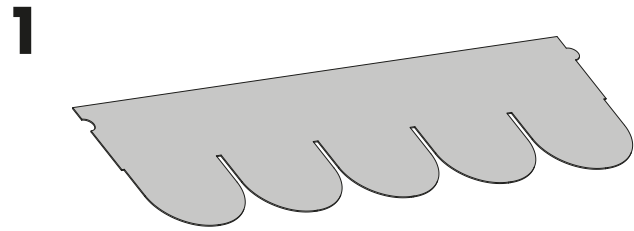
E



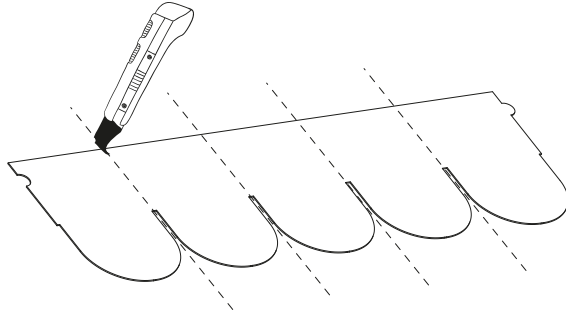


5

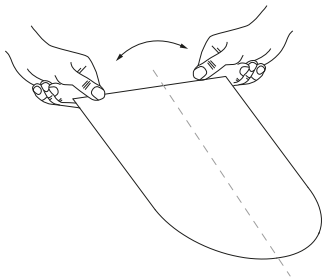




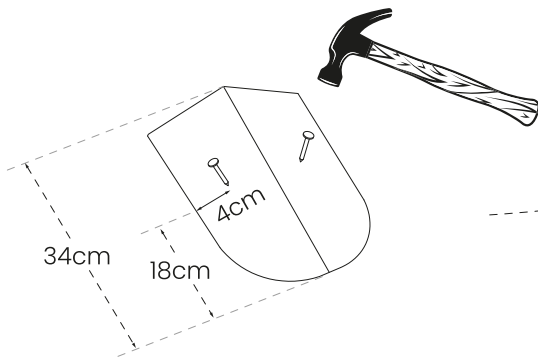
1



2



3



4

