

360x280cm

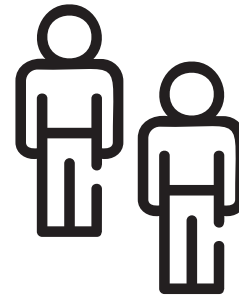
x50
(6x160)



x18
(6x100)



x85
(4x70)



x2



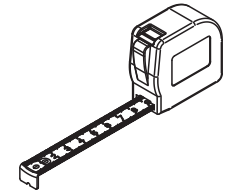
x1



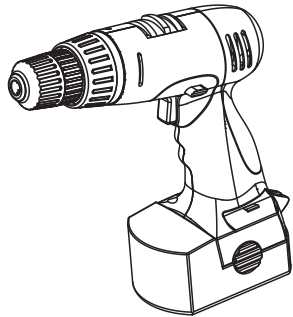
x2



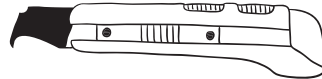
x1



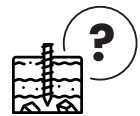
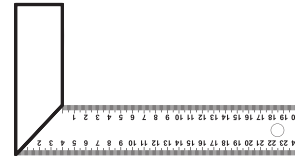
x1



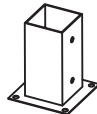
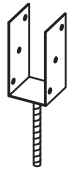
x2



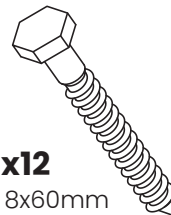
x1



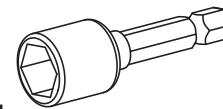
x6

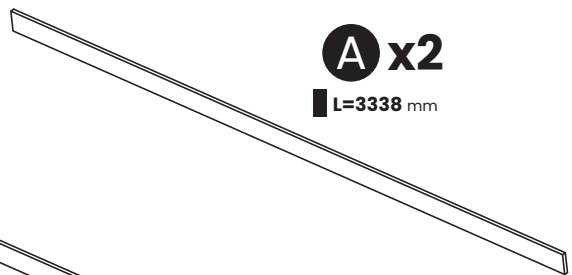


x12
8x60mm



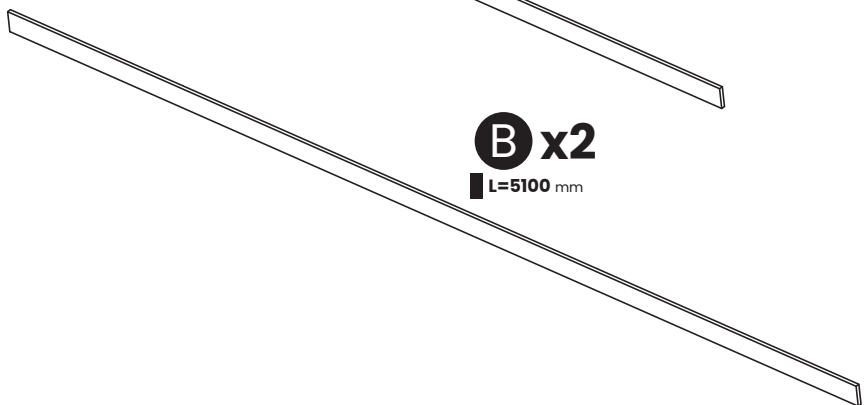
x1
●13





A x2

L=3338 mm



B x2

L=5100 mm

C1

h=2245 mm



C2

h=2260 mm



C3

h=2275 mm



D1

h=2245 mm



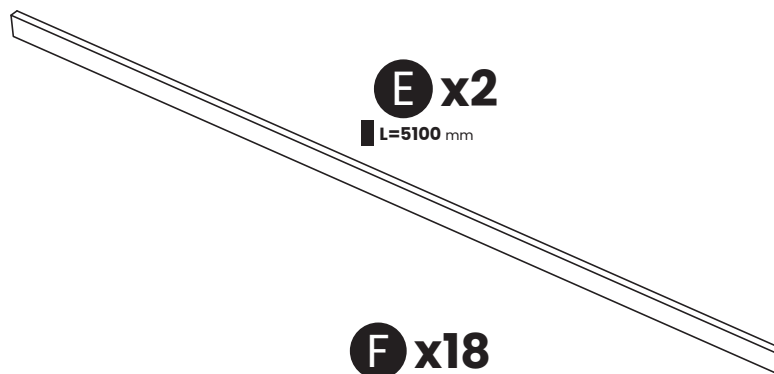
D2

h=2260 mm



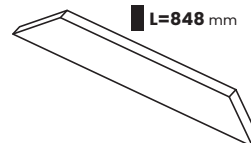
D3

h=2275 mm



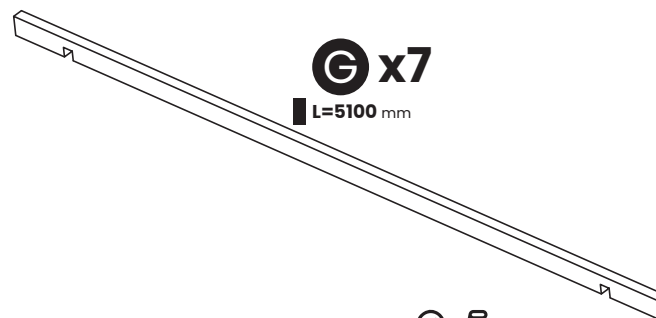
E x2

L=5100 mm



F x18

L=848 mm



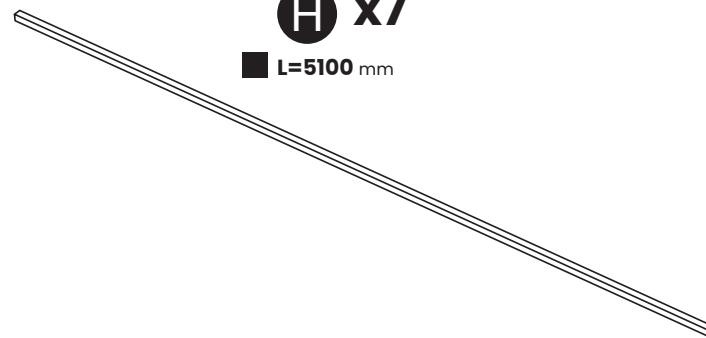
G x7

L=5100 mm

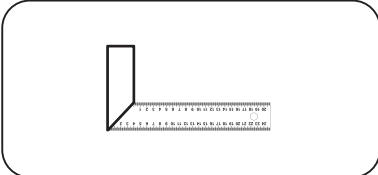
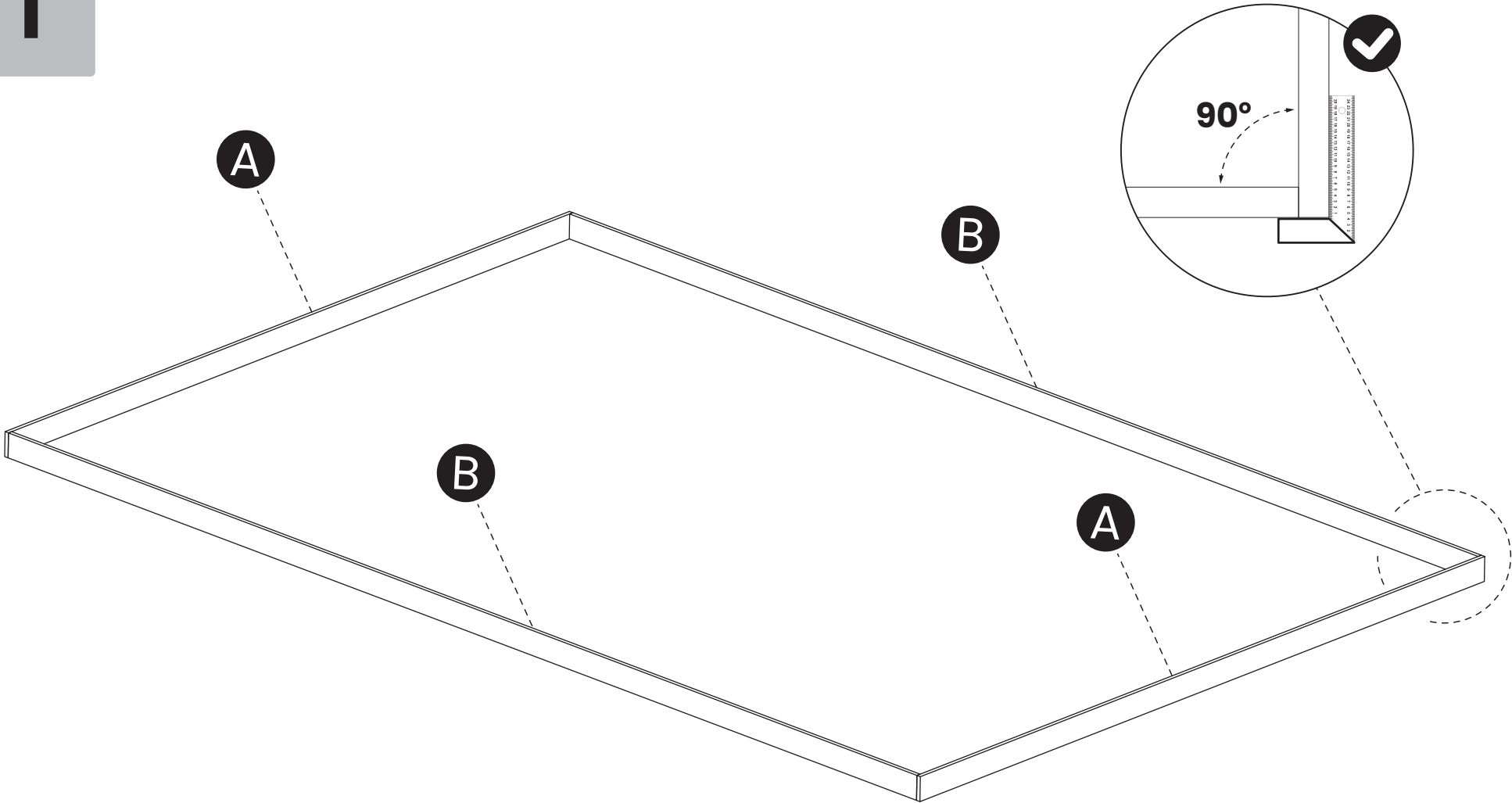


H x7

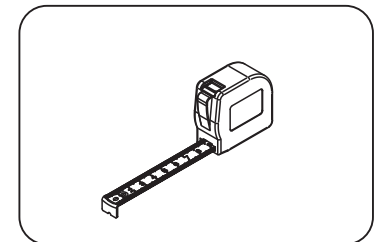
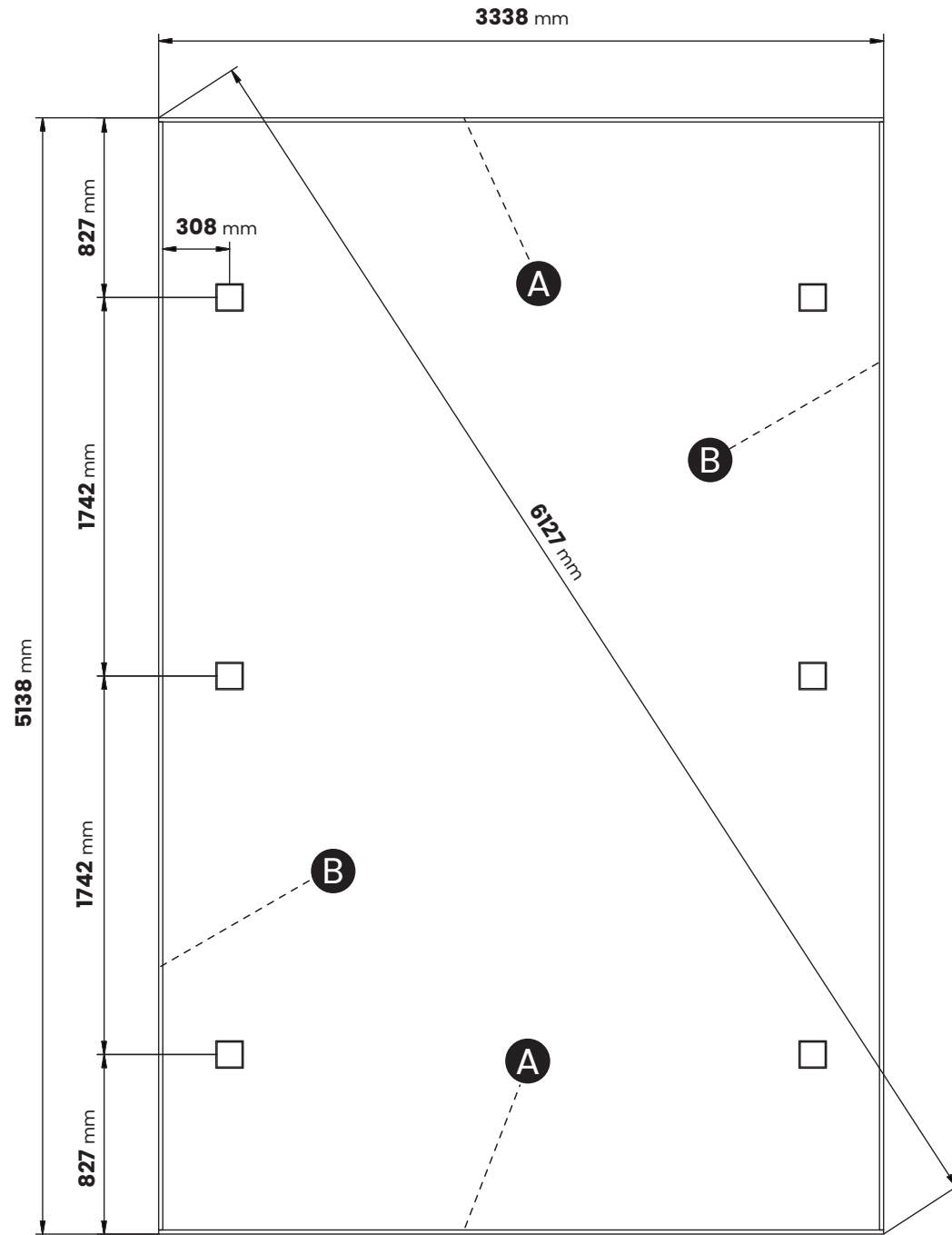
L=5100 mm



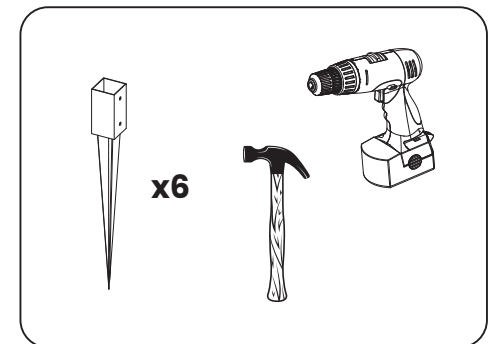
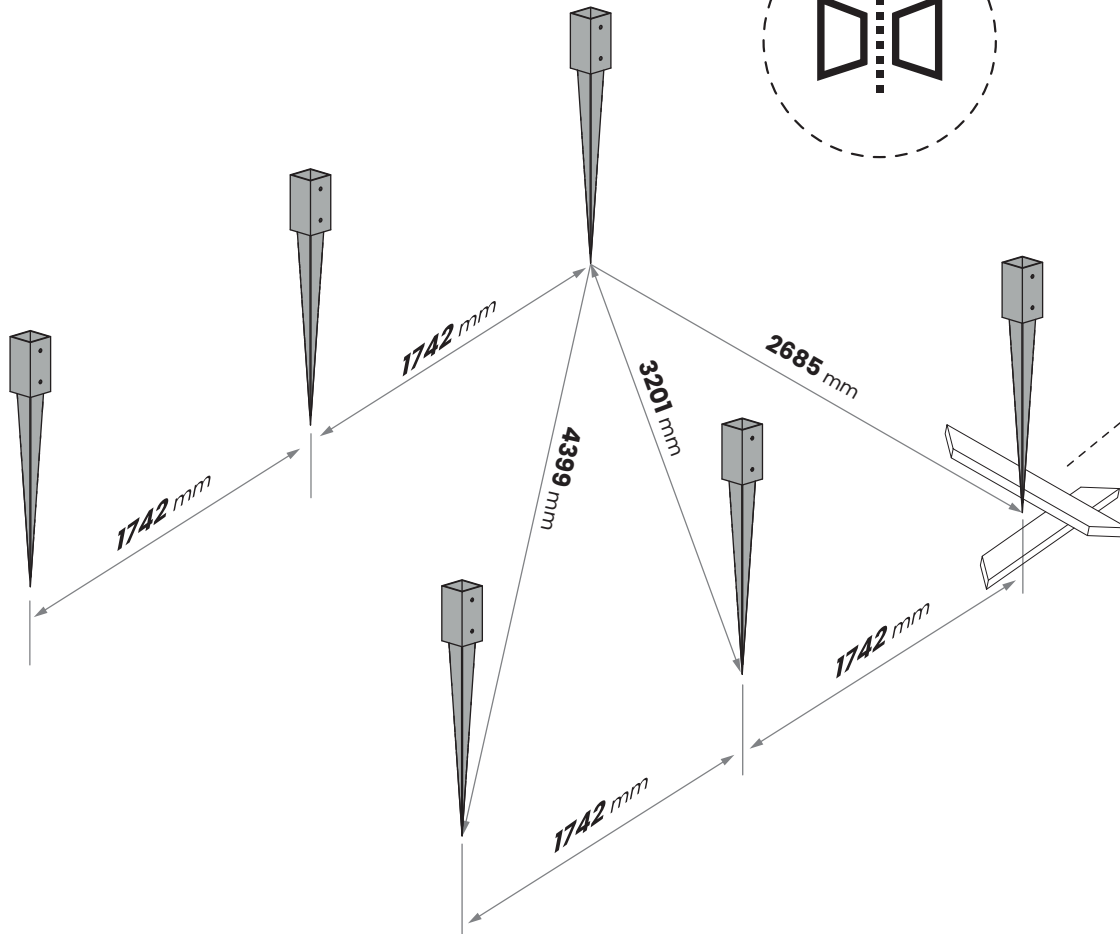
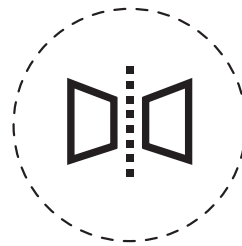
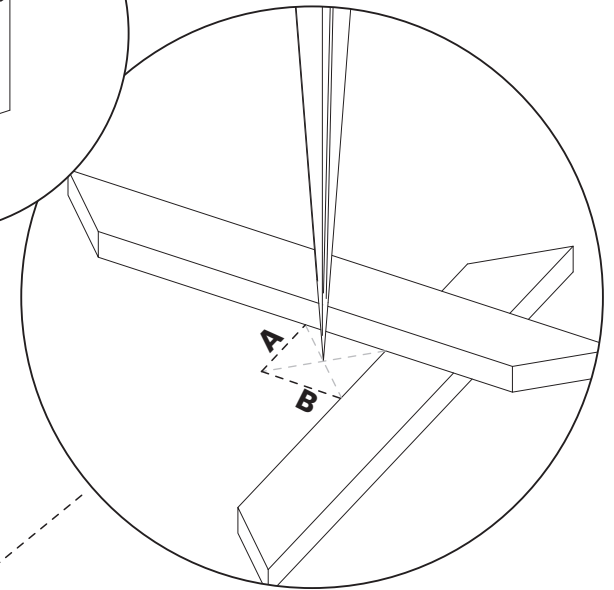
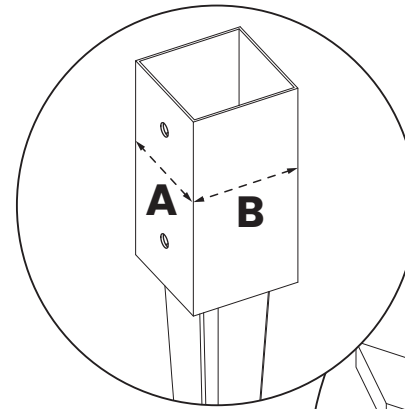
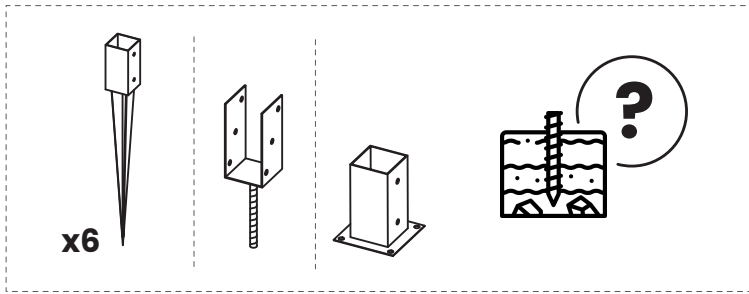
1



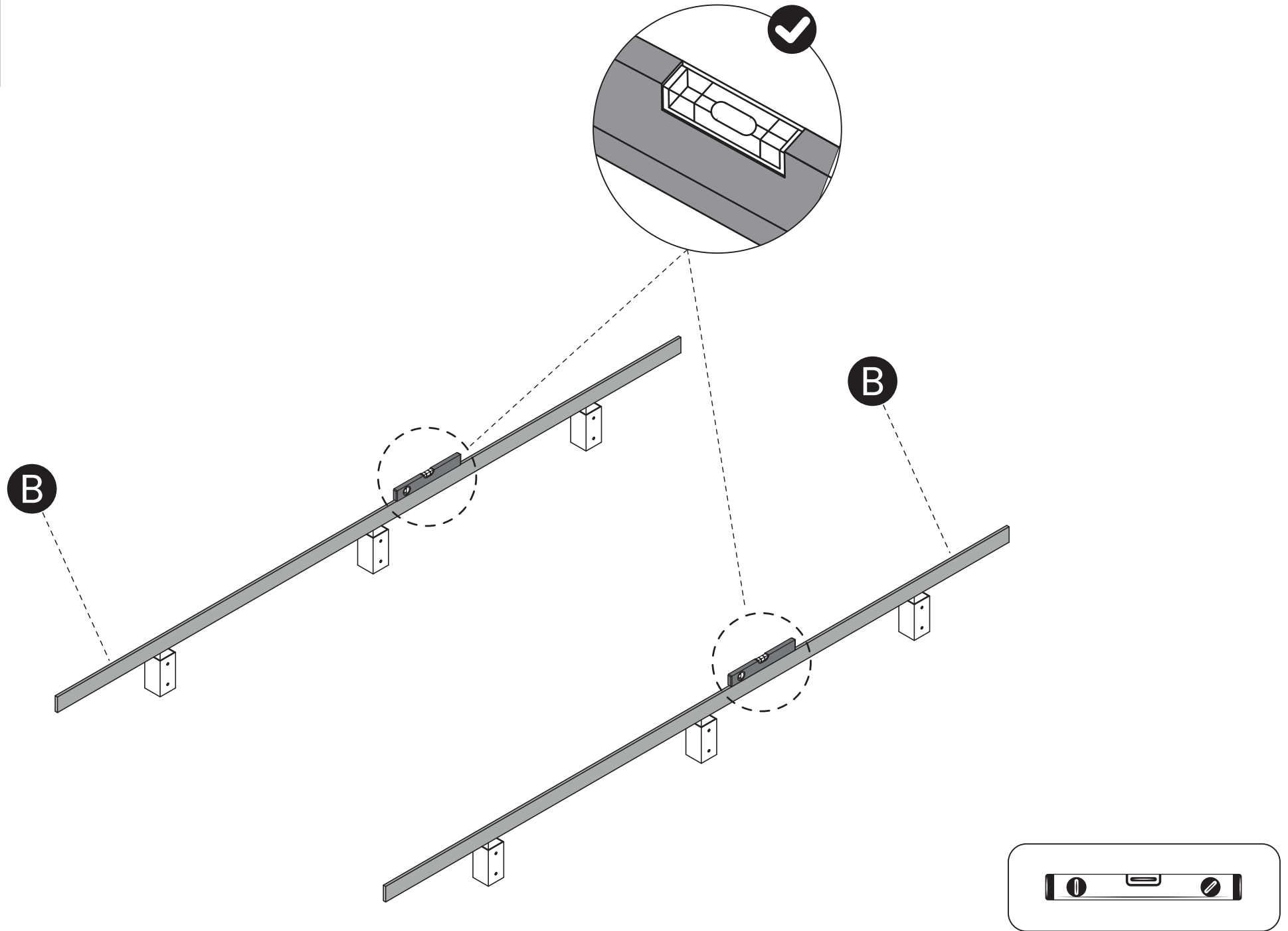
2



3



4



5

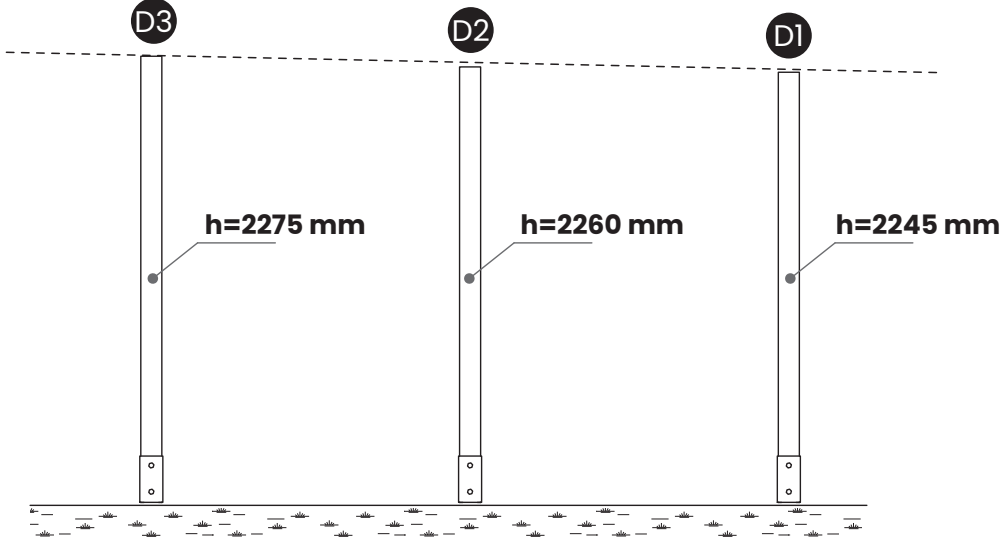
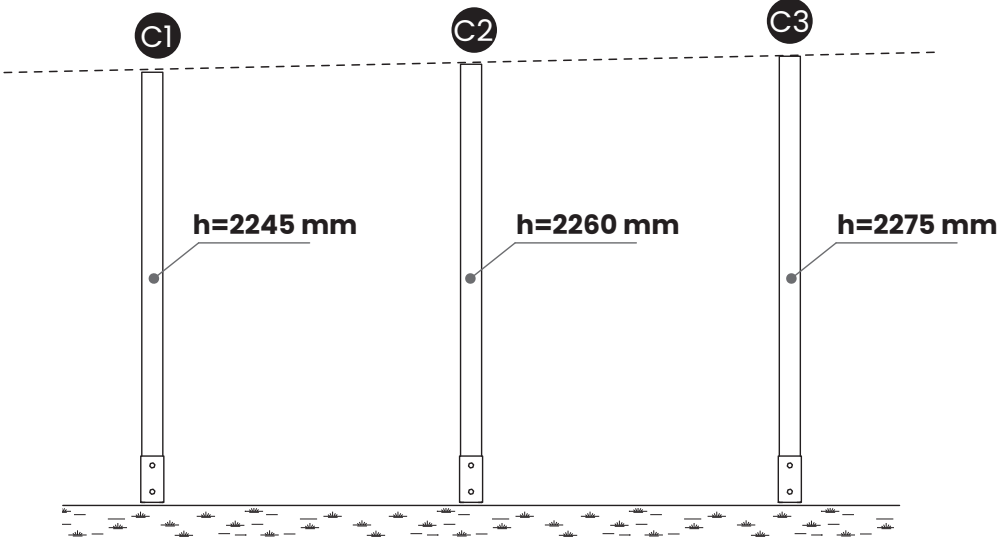
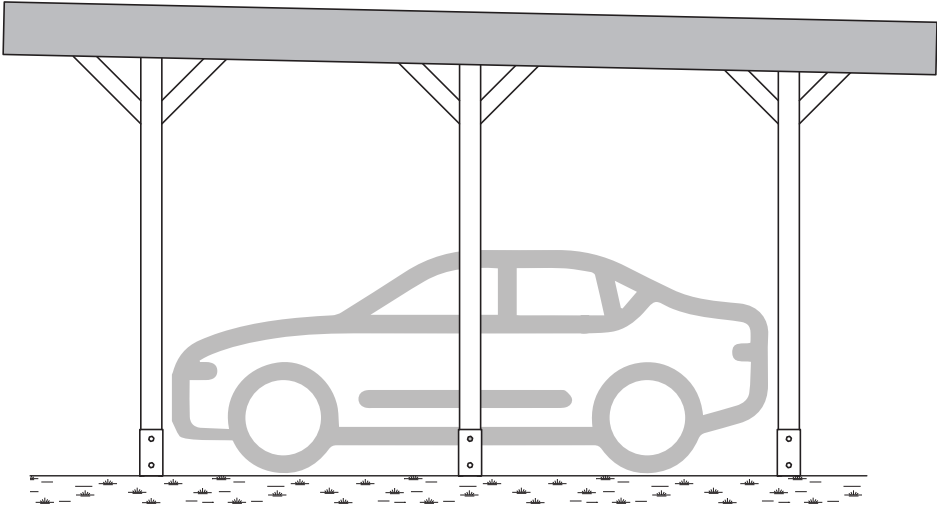
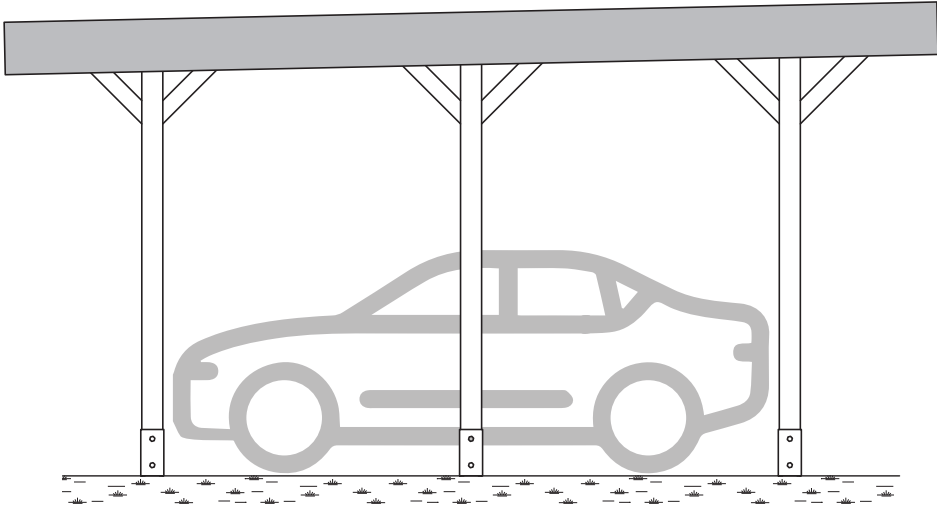
A



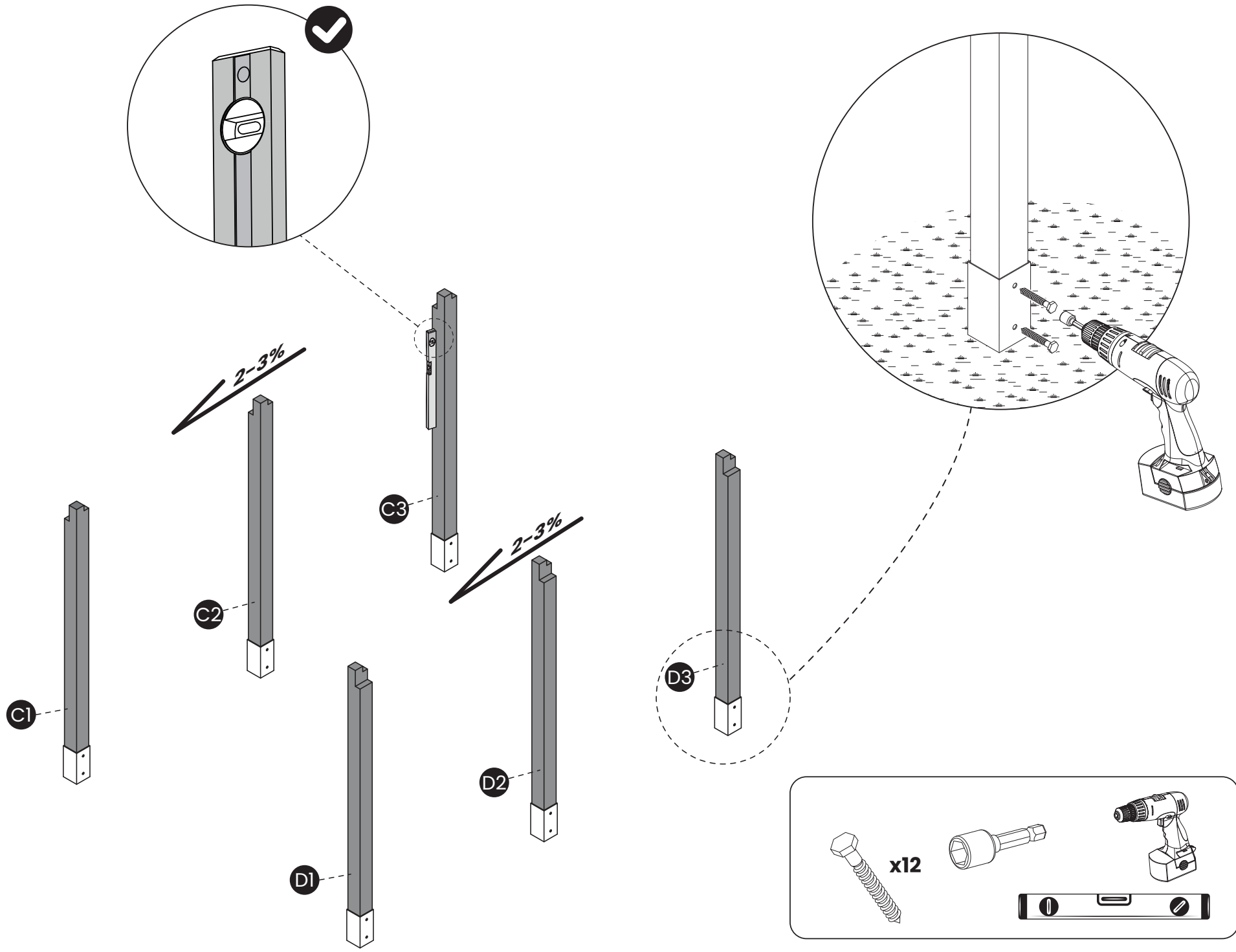
B

2-3%

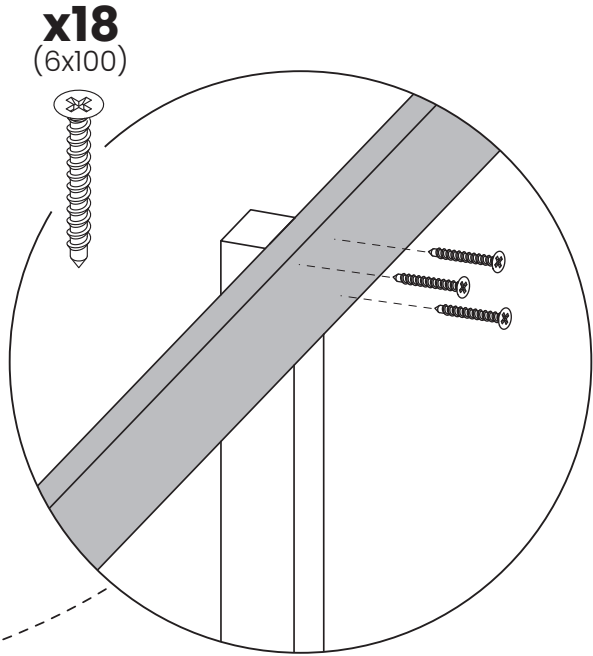
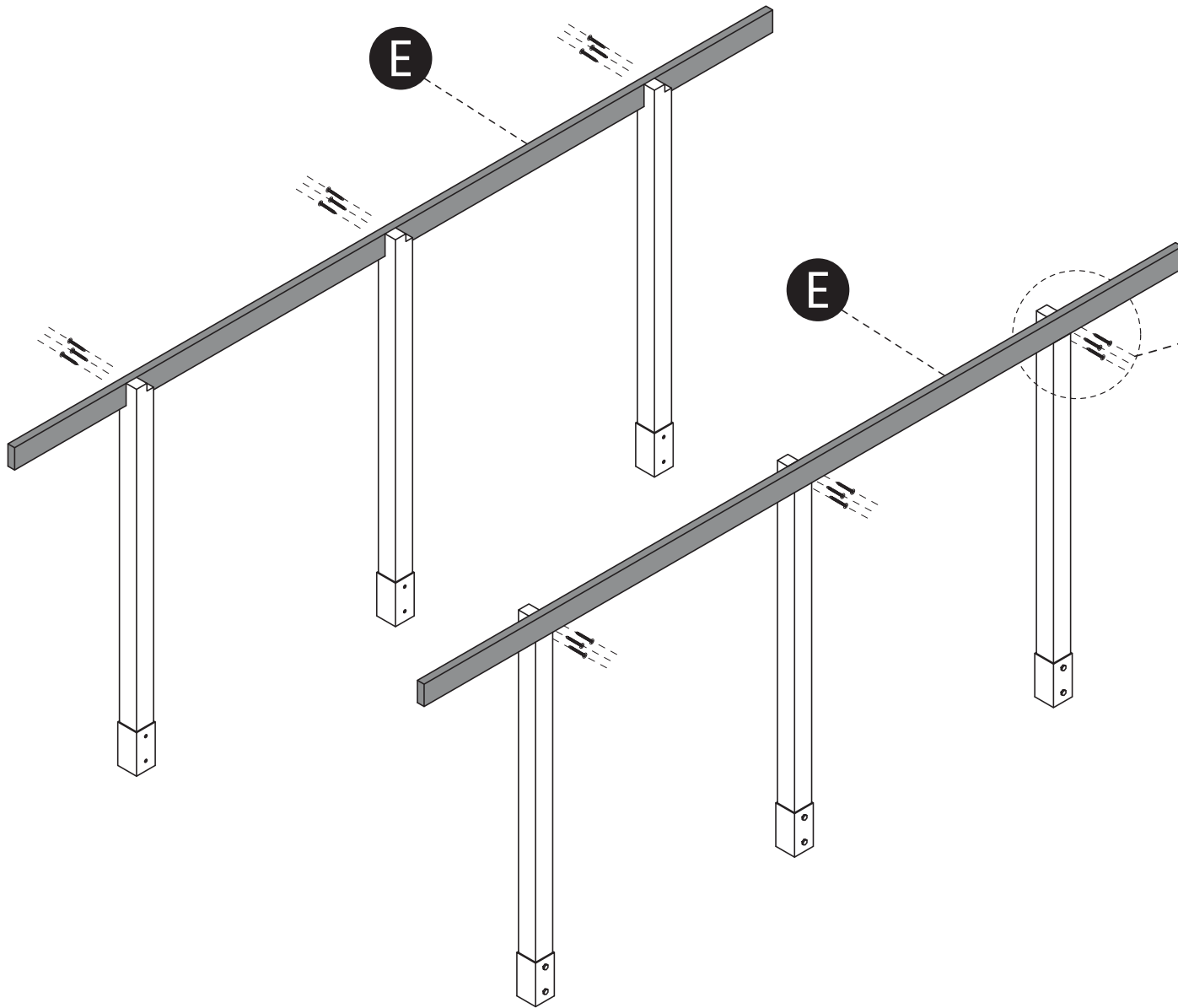
2-3%



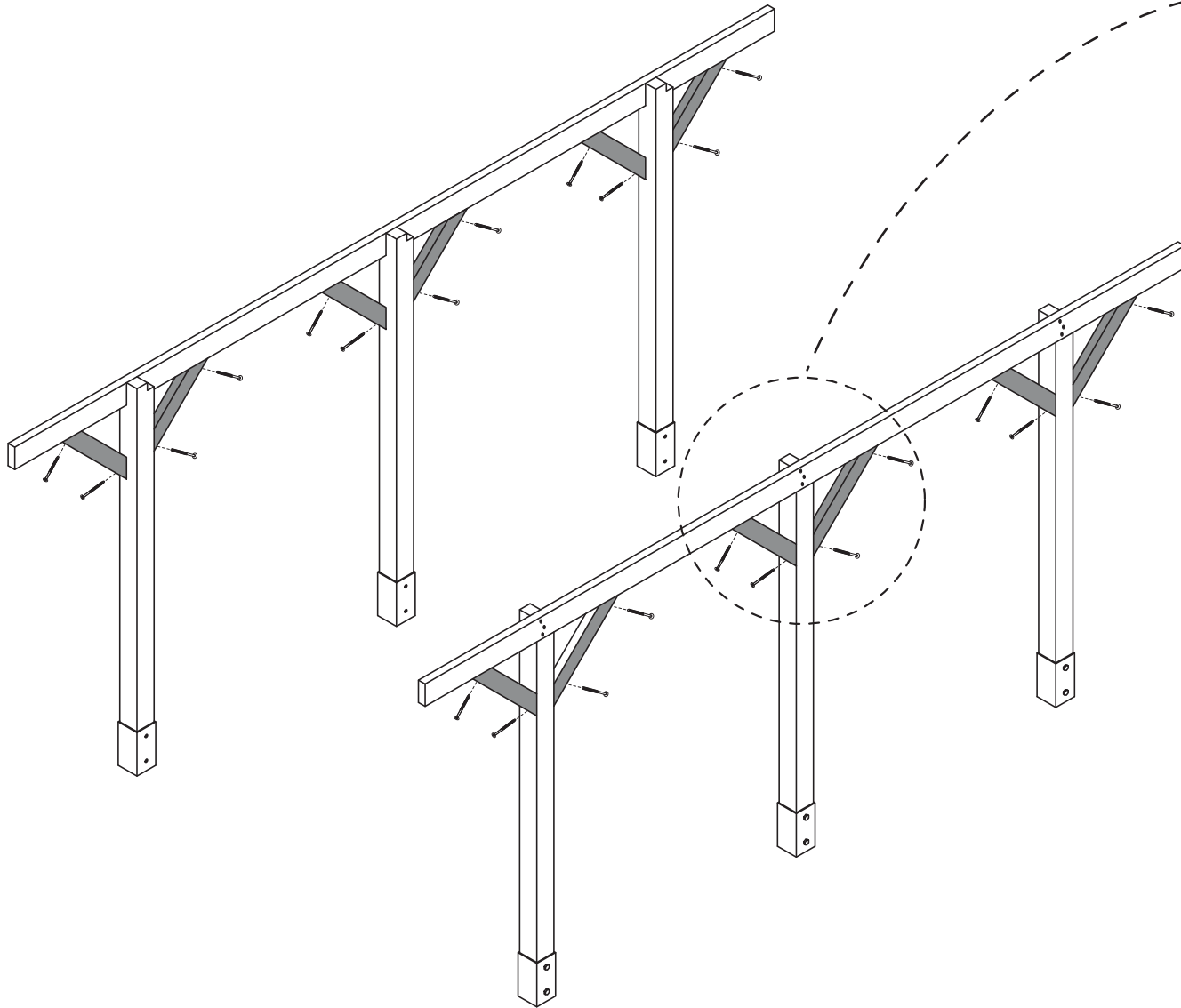
6



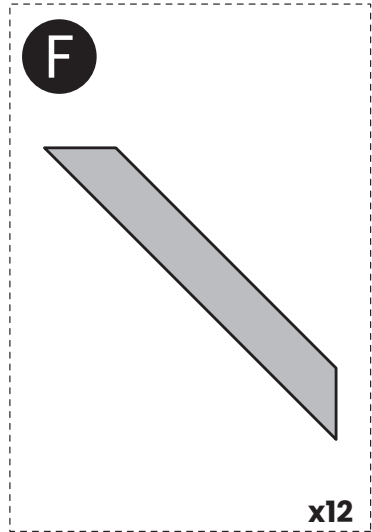
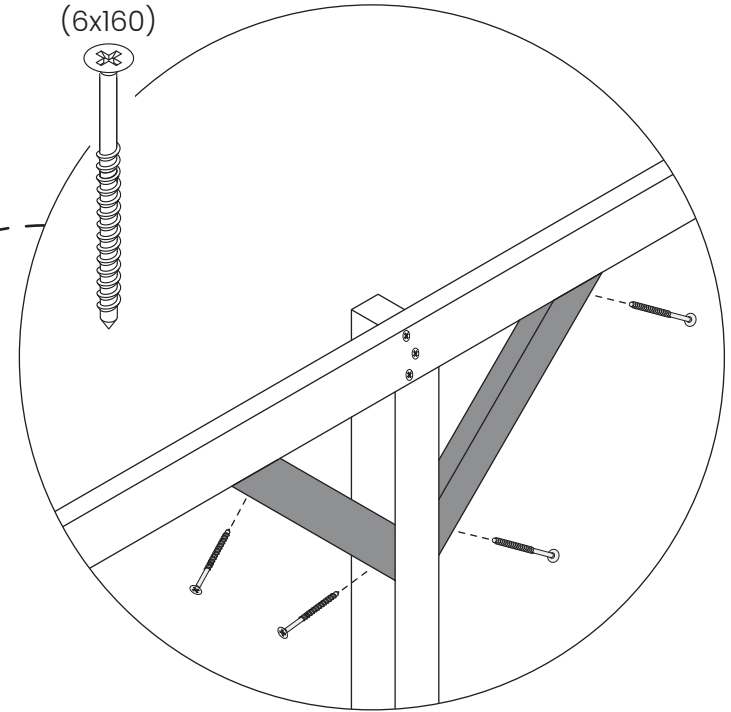
7



8

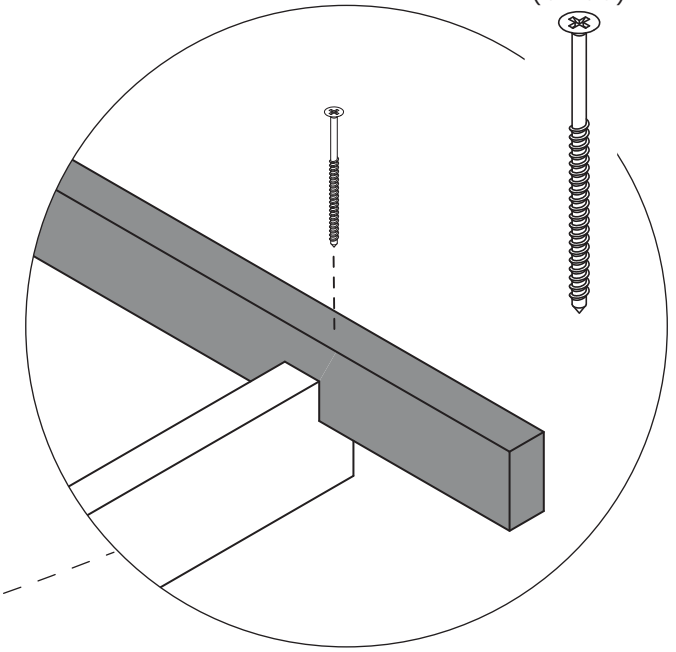
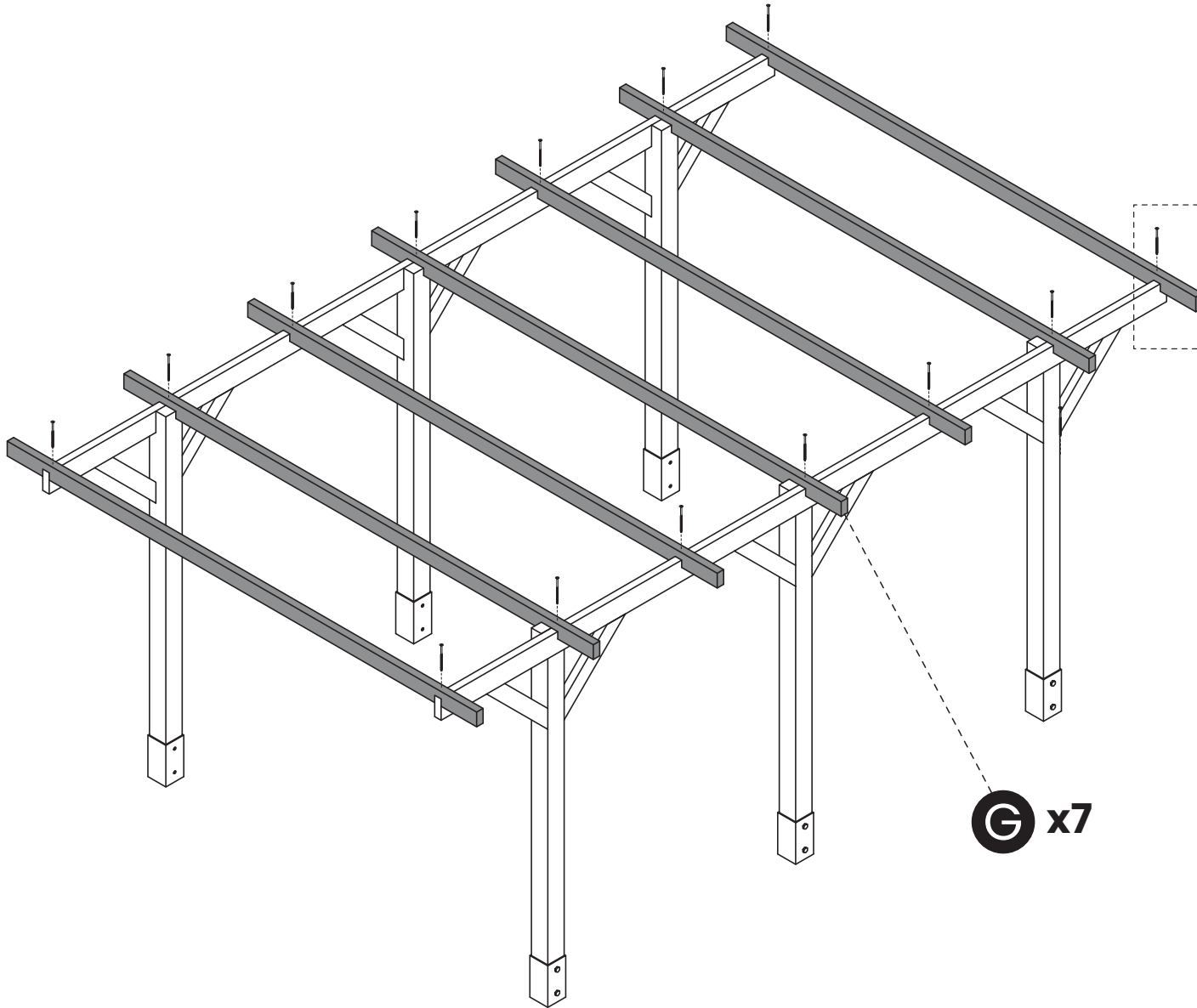
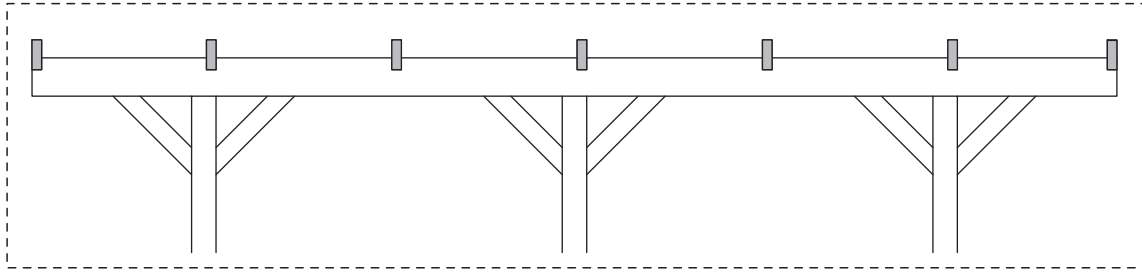


x24
(6x160)



x12

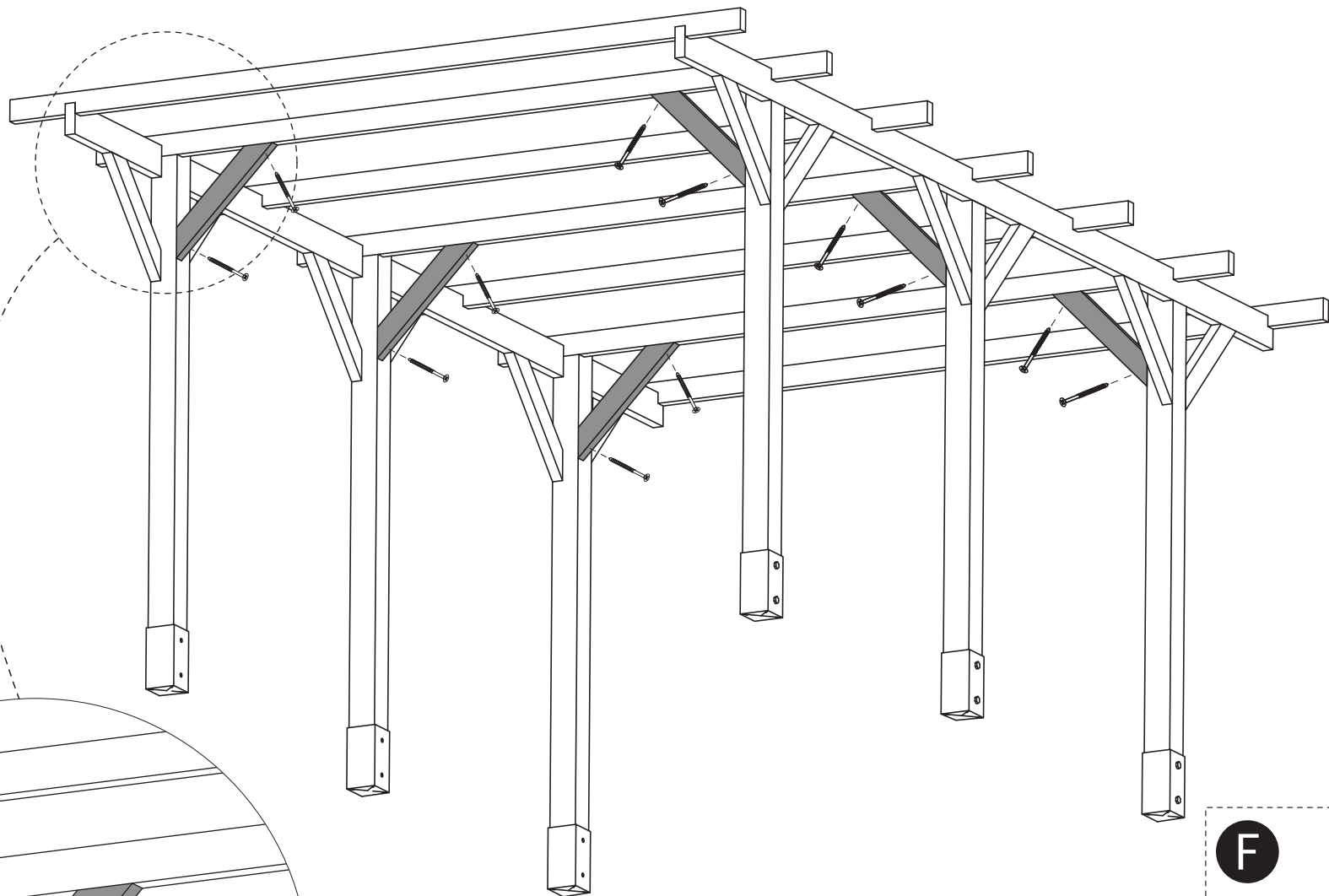
9



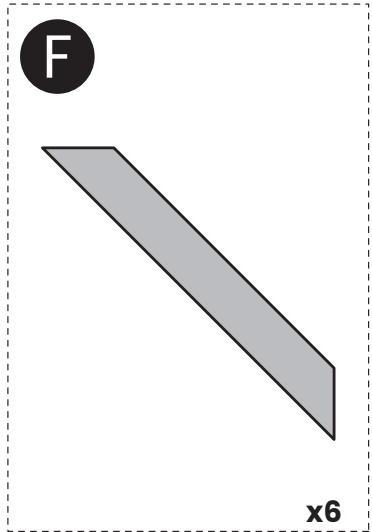
x14
(6x160)

G x7

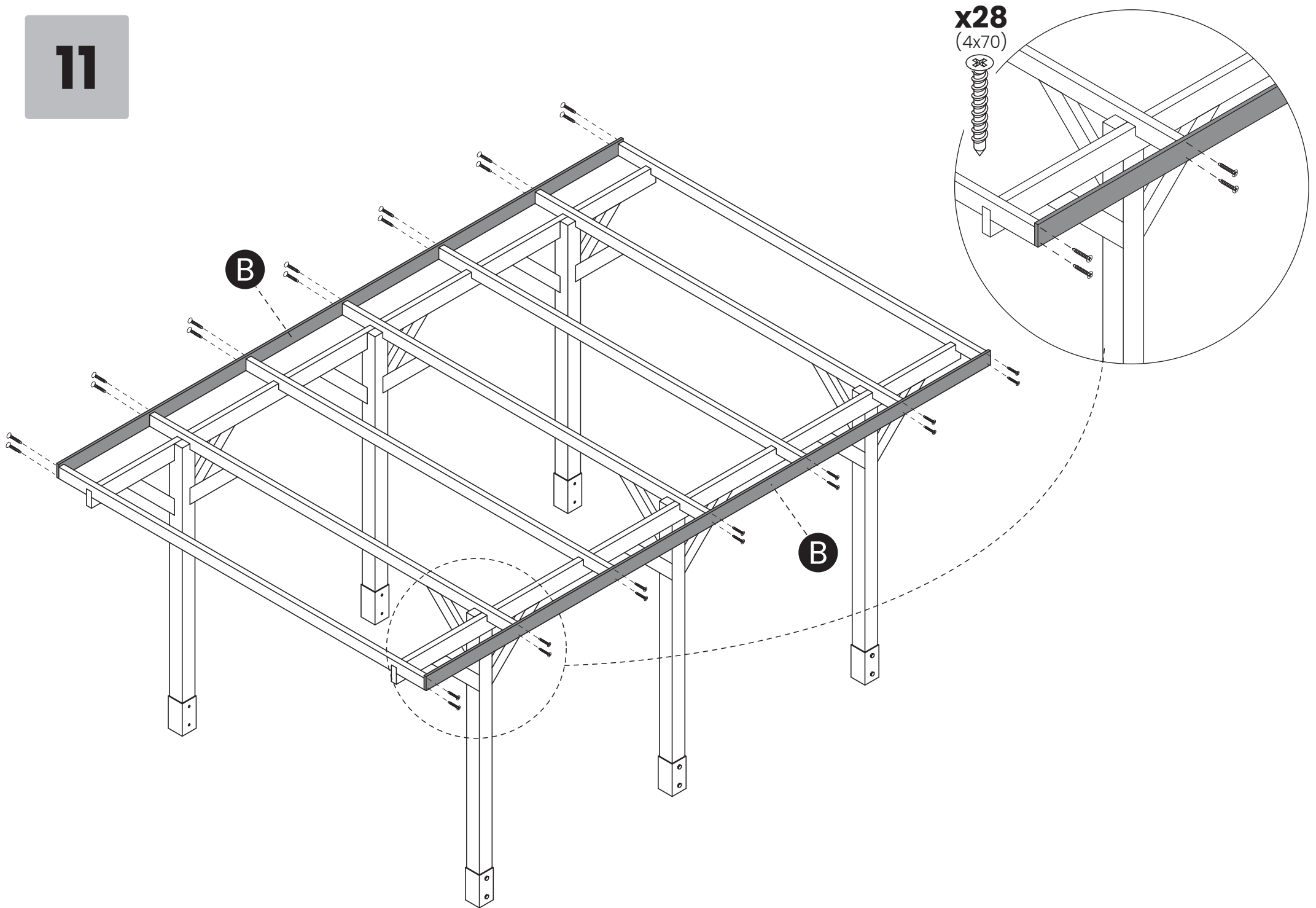
10



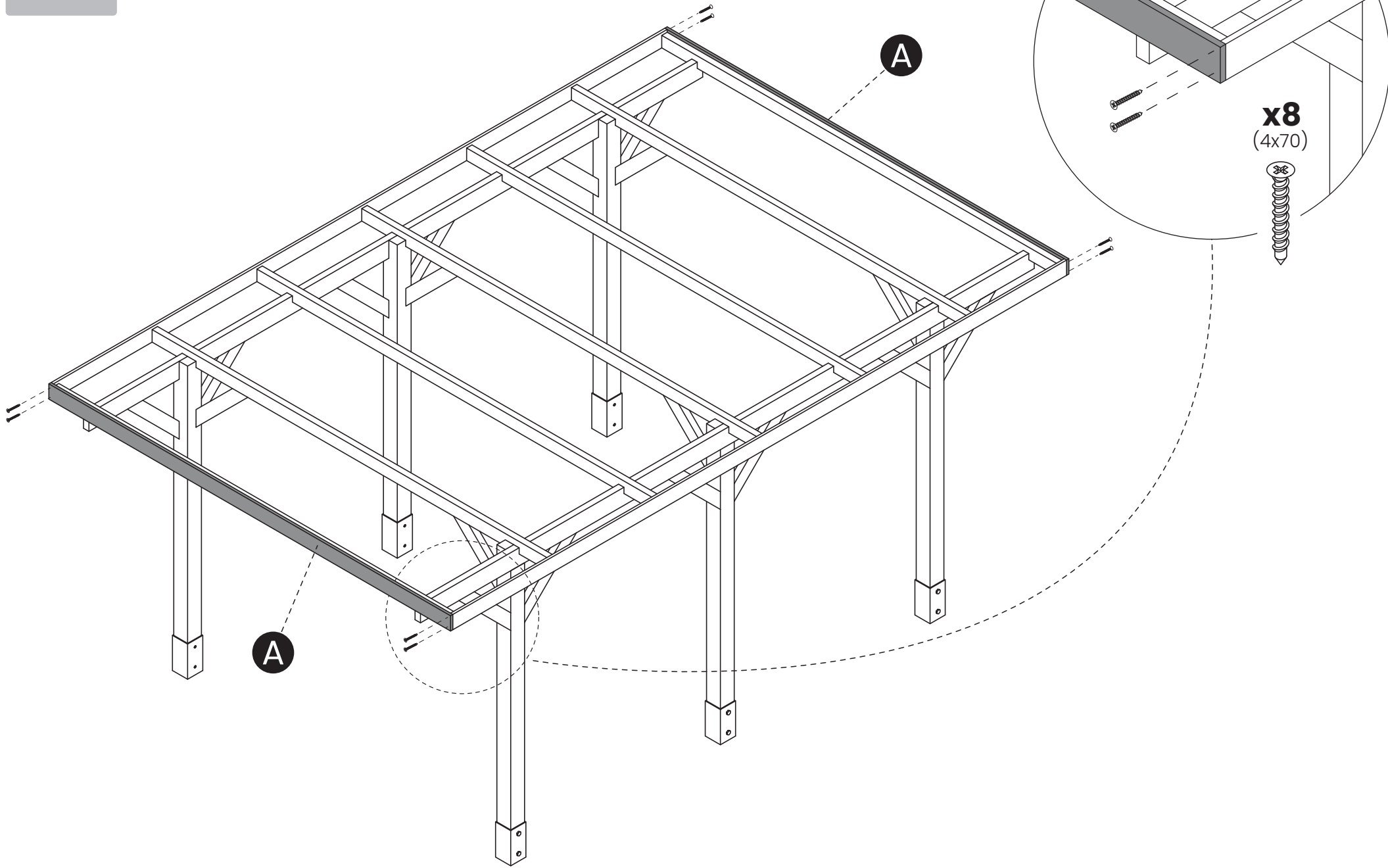
x12
(6x160)



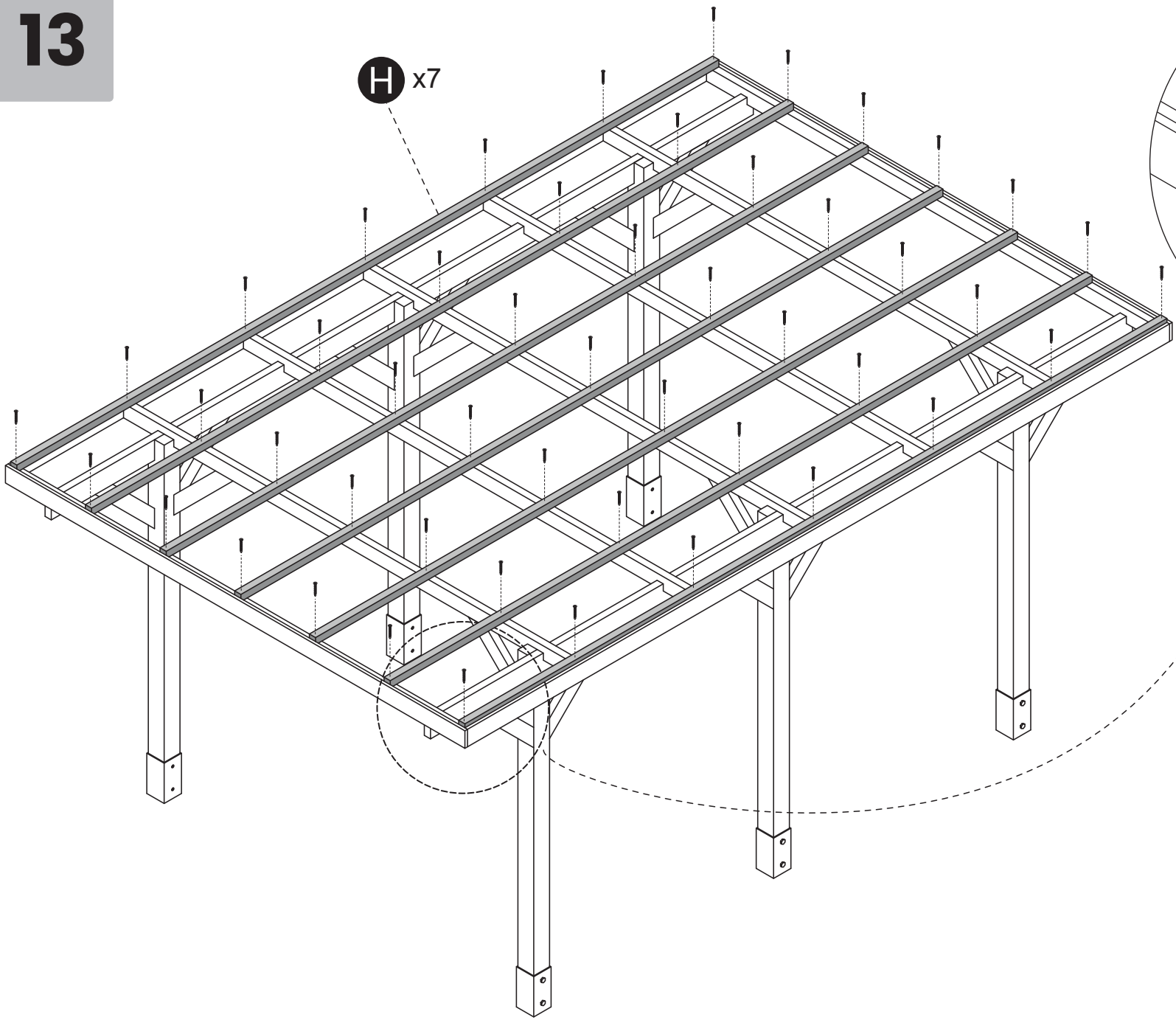
11



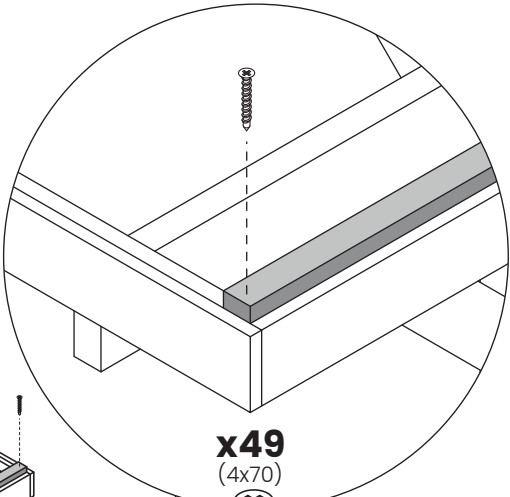
12



13



H x7



x49
(4x70)

